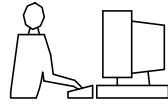
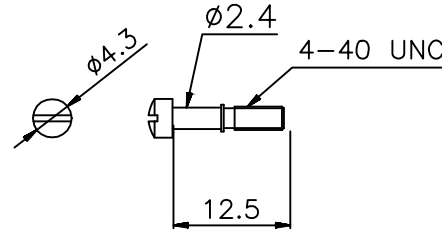
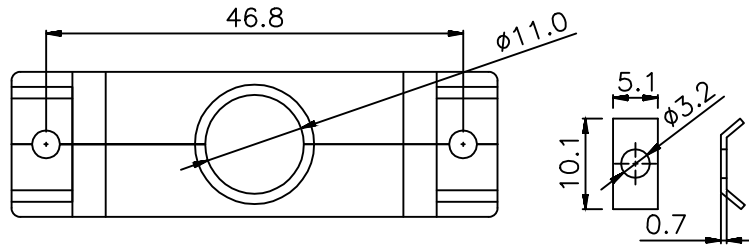


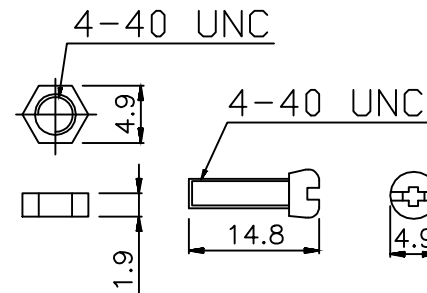
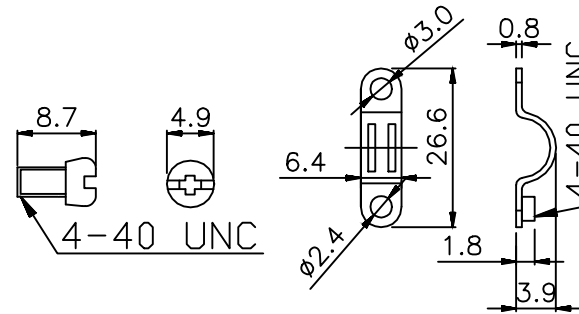
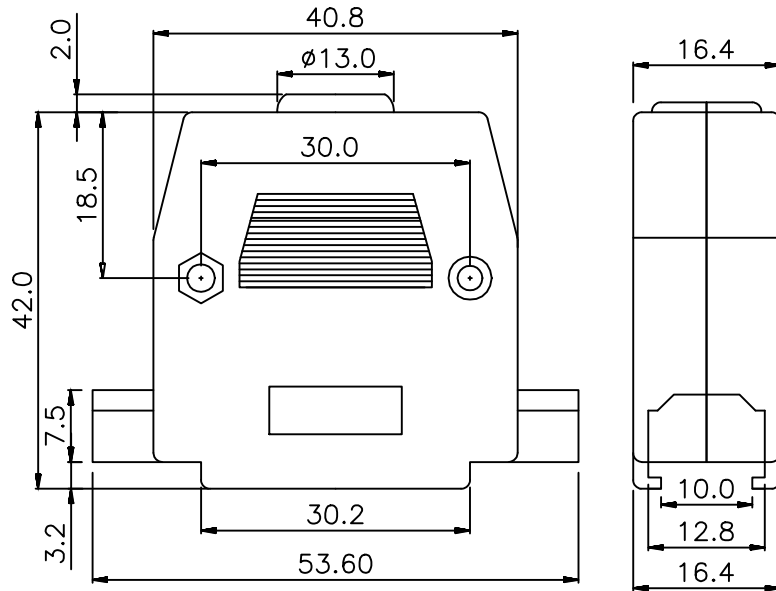
THIS IS A C.A.D. GENERATED DRAWING
DO NOT MAKE MANUAL REVISIONS TO MASTER.



* UNLESS OTHERWISE SPECIFIED TOLERANCES
ON DECIMAL IS: ANGLE ±5°
UNIT: MM X. ±0.3
X.X ±0.3
X.XX ±0.2



MATERIAL:
INSULATOR : ABS UL94HB
SCREW: STEEL
FINISHED : CHROMATE PLATED
R=ROHS
TYPE OPTION:
101=STANDARD TYPE SHORT SCREW
INSULATOR COLOR:
BK=BLACK
MP=METALIZED
LG=GREY



THESE DRAWINGS AND SPECIFICATIONS ARE THE PROPERTY OF MH CONNECTORS AND SHALL NOT BE REPRODUCED, COPIED OR USED AS THE BASIS FOR THE MANUFACTURE OR SALE OF APPARATUS WITHOUT WRITTEN PERMISSION.

DRAWN Johnny Chen DATE 01-25-16

APPROVED Victor Lin DATE 01-25-16

SCALE SHEET OF 1 OF 1 REV: 2.0

DRAWING No CCOV-25SC-XX



THIS SERIES FULLY CONFORMS TO THE EUROPEAN UNION DIRECTIVES 2002/95/EC AND 2002/96/EC FOR RoHS COMPLIANCY.



MH CONNECTORS,
DIVISION OF EDAC