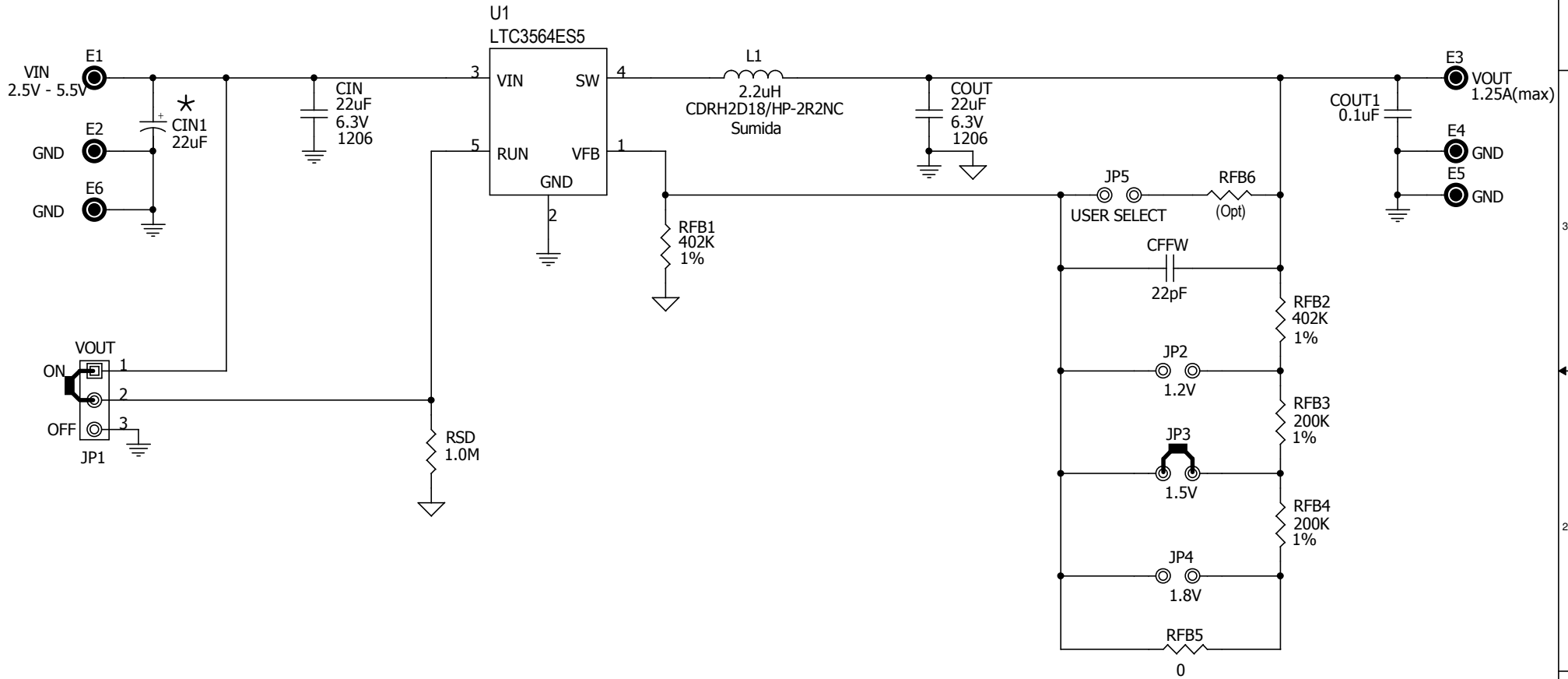


This circuit is proprietary to Linear Technology and supplied for use with Linear Technology parts.

**Customer Notice:** Linear Technology has made a best effort to design a circuit that meets customer-supplied specifications; however, it remains the customers responsibility to verify proper and reliable operation in the actual application, Component substitution and printed circuit board layout may significantly affect circuit performance or reliability. Contact Linear Applications Engineering for assistance.

REVISION HISTORY				
ECO	REV	DESCRIPTION	DATE	APPROVED
	0	1st PROTOTYPE	<DATE>	<APPROVED>



\* CIN1 IS AN OPTIONAL CAPACITOR. IT IS INSERTED ON THE DC1158A TO DAMPEN THE (POSSIBLE) RINGING VOLTAGE DUE TO THE LONG INPUT LEADS. ON A NORMAL, TYPICAL PCB, WITH SHORT TRACES, THE CAPACITOR IS NOT NEEDED.

APPROVALS		LINEAR TECHNOLOGY CORPORATION	
		1630 McCARTHY BLVD	
		MILPITAS, CA. 95035	
<b>DRAWN:</b> Rudy Bautista		www.linear.com	
<b>ENGINEER:</b> Tom Gross		(408)432-1900	
		(408)434-0507 (FAX)	
<b>APPROVED:</b>		Title: LTC3564ES5	
		Monolithic Synchronous Buck Regulator	
<b>CHECKED:</b>		SD Document Number	
		<b>Demo Circuit 1158A</b>	
Date: Thursday, September 04, 2008		Rev 1	
ORCADWIN\CAPTURE\1158A\1158A_REV1.DSN		Sheet 1 of 1	