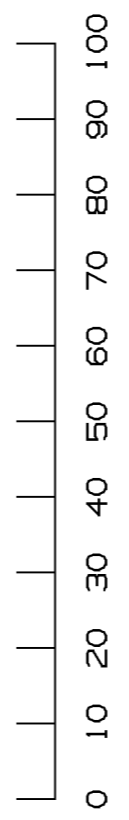
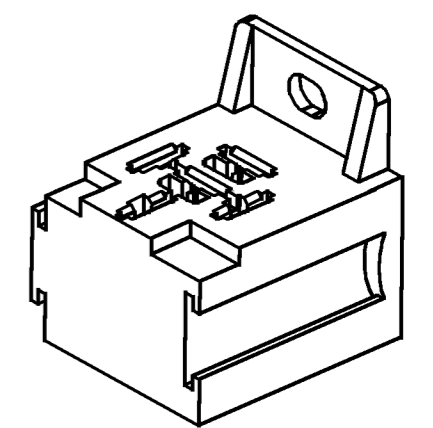


Material: PA66 GF35  
 Colour: Black



TE Part Number		TE Part Name		Bosch Part Number	
0-1904045-2		V23333-Z1001-A008		3 334 485 008	
PROPRIETARY THE REPRODUCTION, TRANSMISSION OR USE OF THIS DOCUMENT OR IT'S CONTENTS IS NOT PERMITTED WITHOUT EXPRESSED WRITTEN AUTHORITY. OFFENDERS WILL BE LIABLE FOR ALL DAMAGES. ALL RIGHTS, INCLUDING RIGHTS CREATED BY REGISTERED PATENT(S) GRANTED FOR A UTILITY MODEL OR DESIGN, ARE RESERVED.			CHANGES TO THIS DRAWING MUST BE DONE ONLY IN CAD		PAPER SIZE <b>A3</b>
APPLICABLE SPEC.:			FINISH		
TOLERANCE UNLESS SPECIFIED OTHERWISE			DIMENSIONS IN MM		SCALE <b>1:1</b>
MATERIAL			WEIGHT <b>App. 20.6g</b>		
PART NAME			<b>Connector With Mounting Flap</b>		
PART NO.			<b>V23333-Z1001-A008</b>		SHT. <b>1</b>
REV. CHANGE ORDER			DATE		OF <b>1</b>
APP.			CUSTOMER DRAWING		

