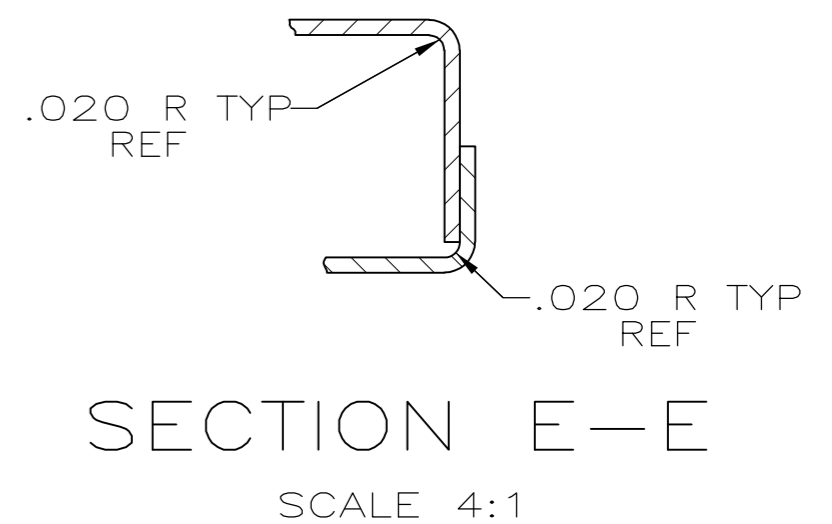
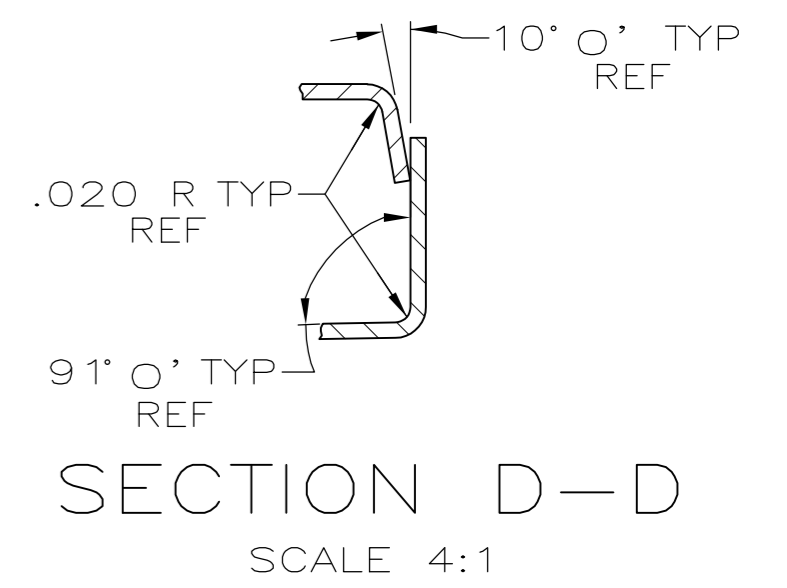
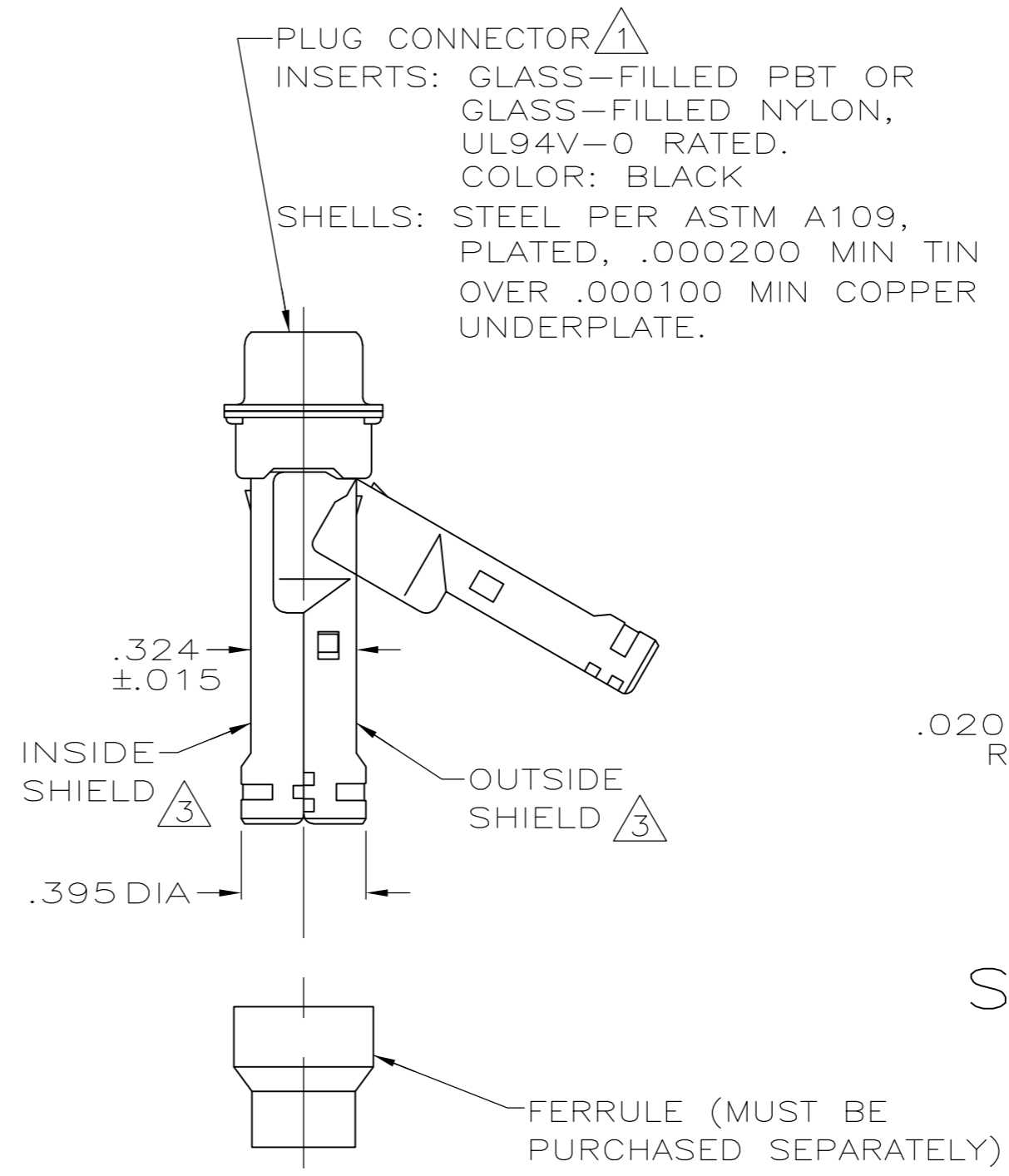
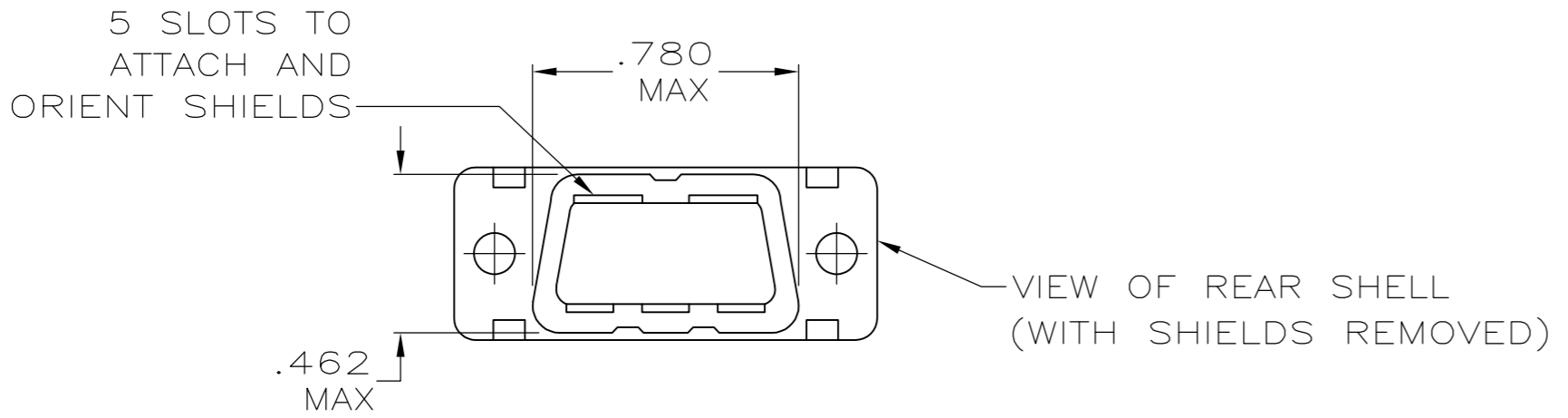
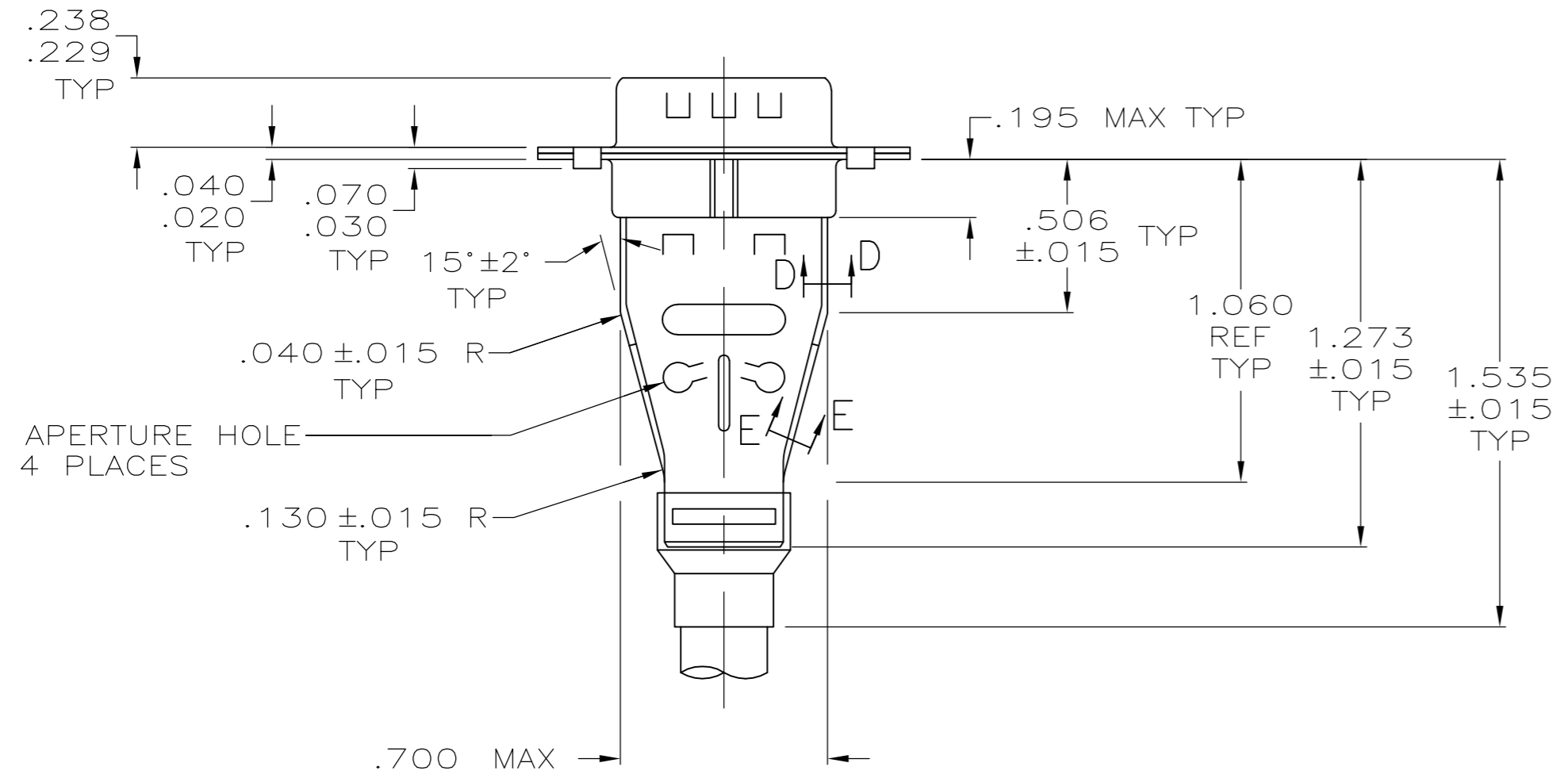
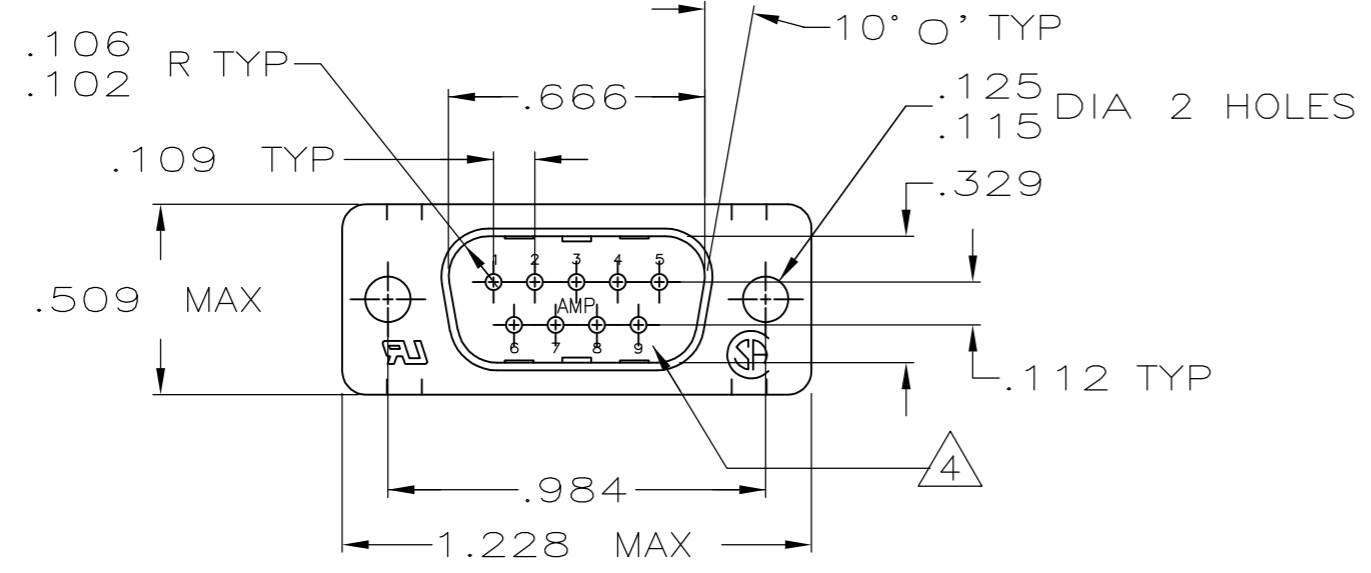


THIS DRAWING IS UNPUBLISHED. RELEASED FOR PUBLICATION  
 © COPYRIGHT - By - ALL RIGHTS RESERVED.

LOC		DIST		REVISIONS			
P	LTR	DESCRIPTION	DATE	DWN	APVD		
GP	00	R	REVISED PER ECO-14-011808	09AUG2014	AP	SB	



- ⚠️ PLUG ACCEPTS SIZE 20 PIN CONTACTS (CONTACTS MUST BE ORDERED SEPARATELY).
- 2. ALL PARTS SHIPPED UNASSEMBLED, EACH PART INDIVIDUALLY BULK PACKED.
- ⚠️ SHIELDS: MATERIAL-.020 THICK STEEL, PER ASTM A109, PLATED .000200 MIN TIN OVER .000100 MIN COPPER UNDERPLATE.
- ⚠️ RAISED CAVITY IDENTIFICATION AND AMP TRADEMARK.

1658645-1  
 PART NUMBER

THIS DRAWING IS A CONTROLLED DOCUMENT.		DWN	J.REITZEL	26AUG03	 TE Connectivity	NAME		KIT, PLUG, SHIELDING HARDWARE, SIZE 1, 9 POSITION, AMPLIMITE™ HDP-20		
DIMENSIONS: INCHES		CHK	S.BOLASH	26AUG03		PRODUCT SPEC		108-40030		RESTRICTED TO
TOLERANCES UNLESS OTHERWISE SPECIFIED:		APVD	M.WALMSLEY	26AUG03		APPLICATION SPEC		114-40030		SIZE
0 PLC ± - 1 PLC ± - 2 PLC ± - 3 PLC ± .005 4 PLC ± - ANGLES ± 0° 30'		MATERIAL	SEE CALL OUT	FINISH		SEE CALL OUT	WEIGHT	-	CAGE CODE	A2 00779
MATERIAL		SEE CALL OUT		FINISH		SEE CALL OUT		DRAWING NO	C=1658645	
SEE CALL OUT		SEE CALL OUT		CUSTOMER DRAWING		SCALE		2:1	SHEET	
								1 of 1	REV	
									R	