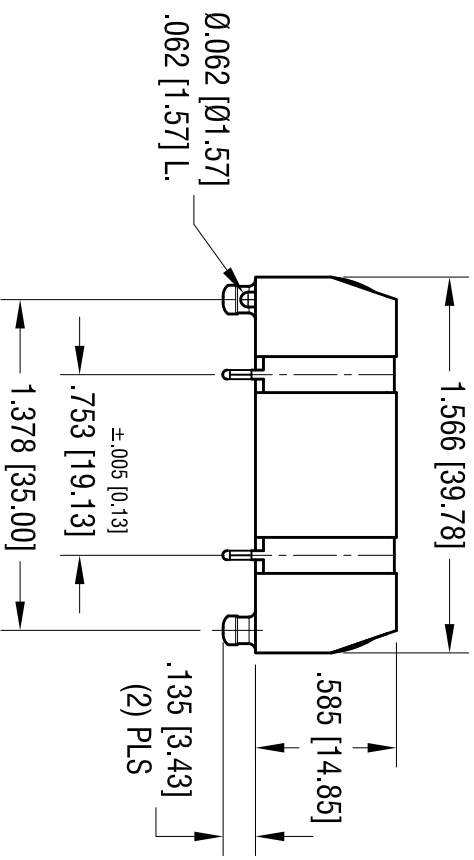


Ø.125 [Ø3.18] (2) PLS
DIA. MTG HOLE

DATE	DESCRIPTION	REV.
8.24.10	CHANGE AS PER ECN 10-062	A
10.04.10	CHANGE PER ECN 10-069	B
10.26.10	CHANGE PER ECN 10-075	C
4.08.11	CHANGE PER ECN 11-046	D
10.08.13	CHANGE PER ECN 13-092	E



KEYSTONE ELECTRONICS CORP.

www.keystone.com • ASTORIA, N.Y. 11105-2017 • Tel (718) 956-8900

PART NAME

DUAL THM BATTERY HOLDER, 18650

MATERIAL

AS NOTED

FINISH

AS NOTED

TOLERANCES	INCH	[MM]	CODE	DWG NO.
DECIMAL	± .010	[± 0.25]	C	
ANGULAR	± 1°			
				1049

NOTE:

1. BASE:
MAT'L: HEAT RESISTANCE NYLON
STANYL 46 OR EQUIVALENT
2. CONTACT:
MAT'L: .012 [0.30]THK STAINLESS STEEL
FINISH: TIN NICKEL PLATE

THIS DOCUMENT IS THE PROPERTY OF KEYSTONE ELECTRONICS CORP. AND SHALL NOT BE REPRODUCED, DISTRIBUTED OR USED AS A BASIS FOR MANUFACTURE WITHOUT PRIOR WRITTEN PERMISSION FROM KEYSTONE ELECTRONICS CORP.