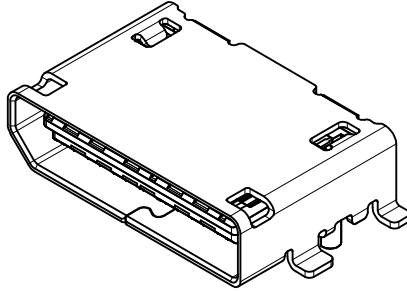
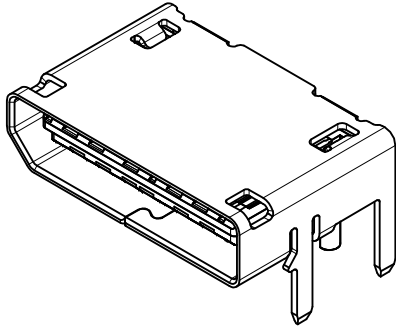


STATUS	MATERIAL NUMBER	PIN OUT OPTIONS	MATING LEVELS	CIRCUIT SIZE	SHELL ATTACH OPTION
TOOLED	171982-0142	4X	3	42	SMT
TOOLED	171982-1142	4X	3	42	TH

42 CIRCUIT SMT SHELL



42 CIRCUIT THRU HOLE SHELL



NOTES:

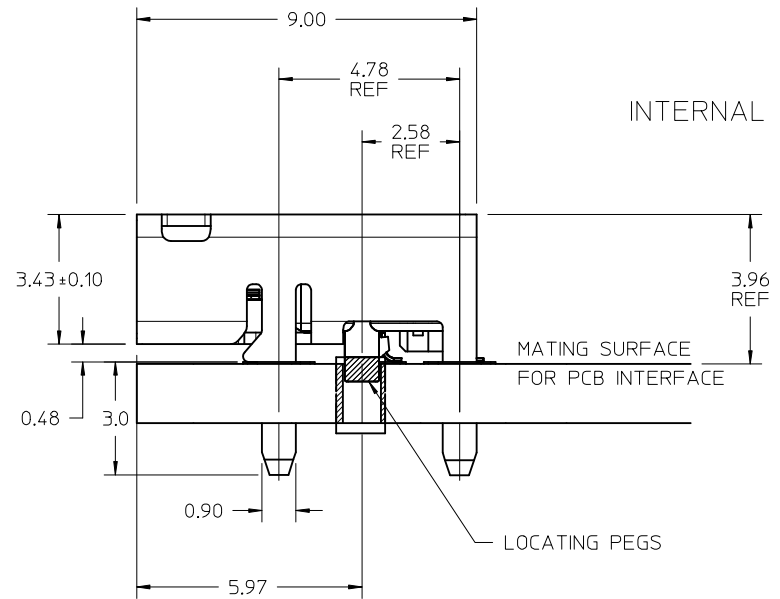
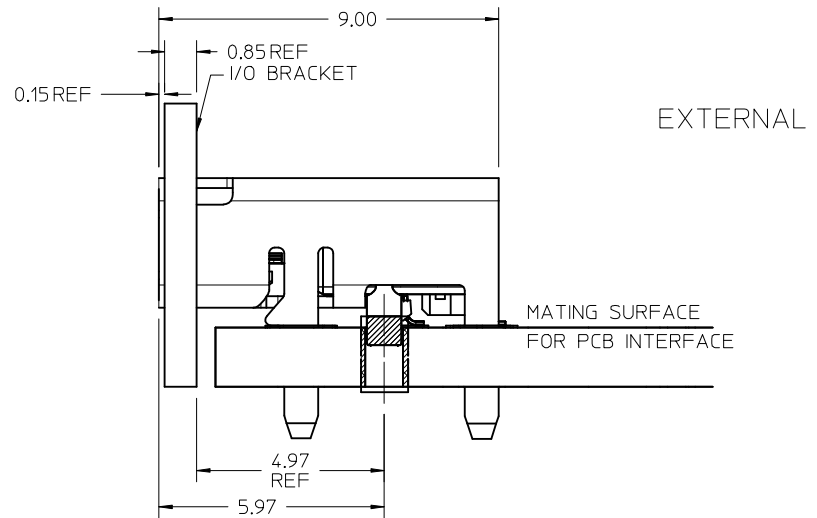
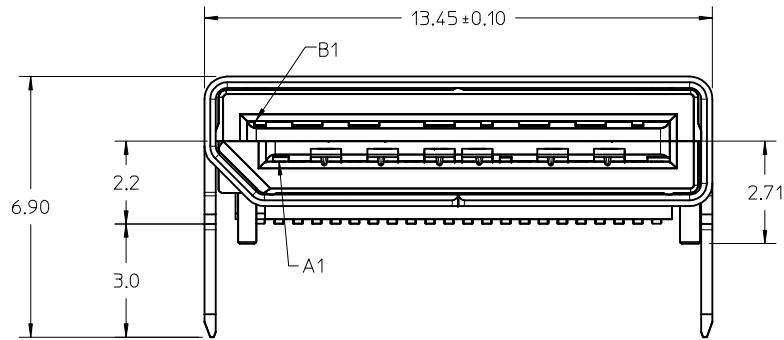
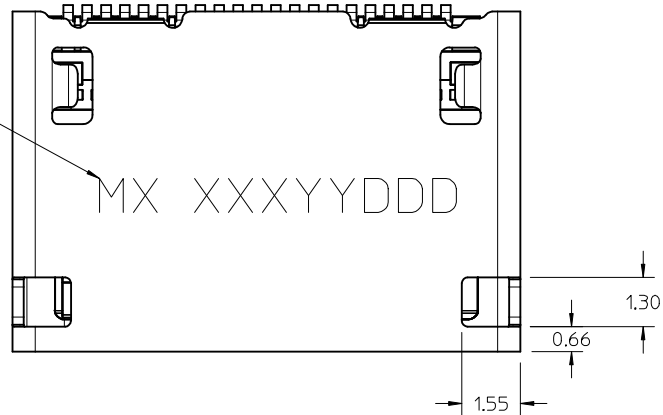
- MATERIALS:
HOUSING - GLASS FILLED THERMOPLASTIC, 94V-0
CONTACTS - HIGH PERFORMANCE COPPER ALLOY
SHIELD - STAINLESS STEEL
- FINISH:
CONTACTS - 0.76µm MIN. GOLD MATING SIDE
2.54µm TIN ON SOLDER TAILS
2.0µm MIN. NICKEL UNDERPLATE OVERALL

SHIELD - MATTE TIN OVER 1.27µm MIN. NICKEL
- PRODUCT SPECIFICATION: PS-171982-0001
- PACKAGING SPECIFICATION: PK-171982-9000
- MATES WITH: MOLEX CABLE SERIES 100436
PER INDUSTRY STANDARD PCIe OCuLink OR SFF-8612
- APPLICATION SPECIFICATION: AS-173162-0001
- COSMETIC SPECIFICATION: PS-45499-002
- ASSEMBLY PART NUMBER AND DATE CODE TO BE LOCATED APPROXIMATELY AS SHOWN, DATE CODE TO SHOW THE DATE AND YEAR OF ASSEMBLY (DDYY OR YDDD)

REMOVED CAP EC NO: UCP2016-3533 DRAWN: MJANTELEZIO 2016/03/02 CHKD: APPRS: MILLER REV DESCRIPTION 2016/03/09	QUALITY SYMBOLS	GENERAL TOLERANCES (UNLESS SPECIFIED)	DIMENSION STYLE	SCALE	DESIGN UNITS	THIRD ANGLE PROJECTION	
	▽=0	4 PLACES ±0.13	mm INCH	10:1	METRIC	☉	
	▽=0	3 PLACES ±0.25					
	▽=0	2 PLACES ±0.25					
		ANGULAR ±1/2°					
		DRAFT WHERE APPLICABLE MUST REMAIN WITHIN DIMENSIONS					
			DRAWN BY	DATE	TITLE		
			MJANTELEZIO	2015/10/21	NANO-PITCH I/O RIGHT ANGLE PRE R1.0 - 16 GT/S		
			CHECKED BY	DATE			
			APPROVED BY	DATE			
			MBANAKIS	2015/11/09			
			MATERIAL NO.	DOCUMENT NO.			
			SEE CHART	SD-171982-1000			
			SIZE			SHEET NO.	
			D			1 OF 6	
			THIS DRAWING CONTAINS INFORMATION THAT IS PROPRIETARY TO MOLEX INCORPORATED AND SHOULD NOT BE USED WITHOUT WRITTEN PERMISSION				

42 CIRCUIT TH ASSEMBLY

SEE NOTE #1

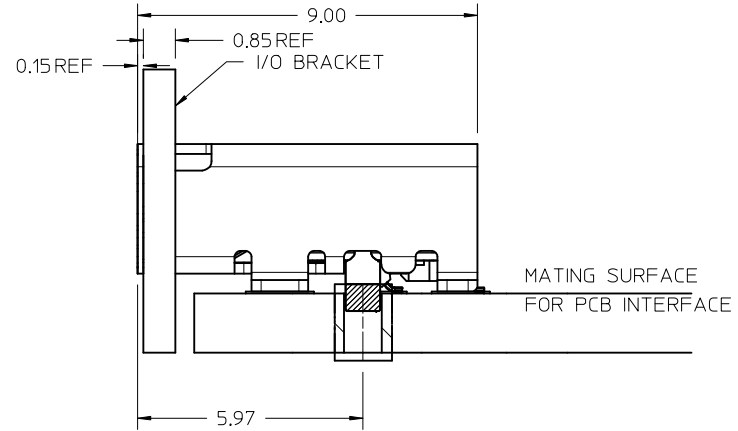
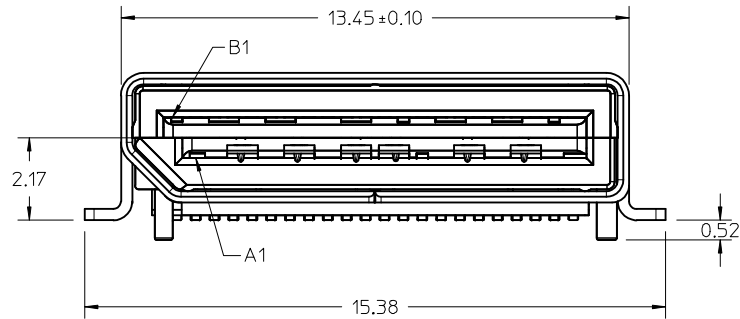
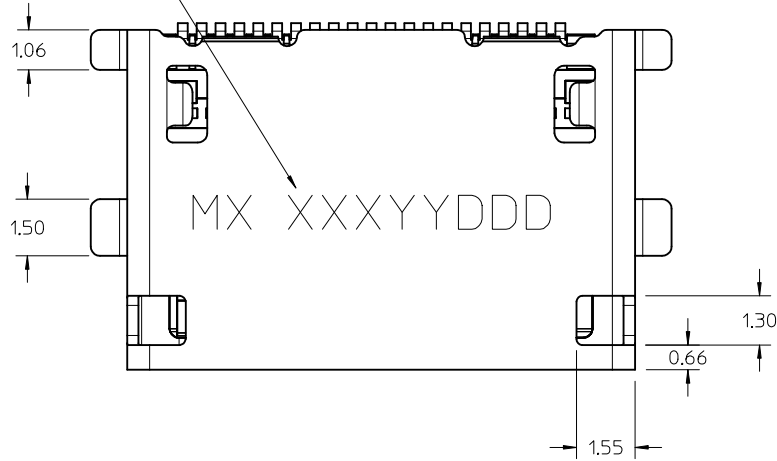


- NOTES:
 1. PLANT CODE, MANUFACTURED DATE CODE (JULIAN CALENDAR) AND PART NUMBER
 2. SOLDER TAIL COPLANARITY 0.10 MAX

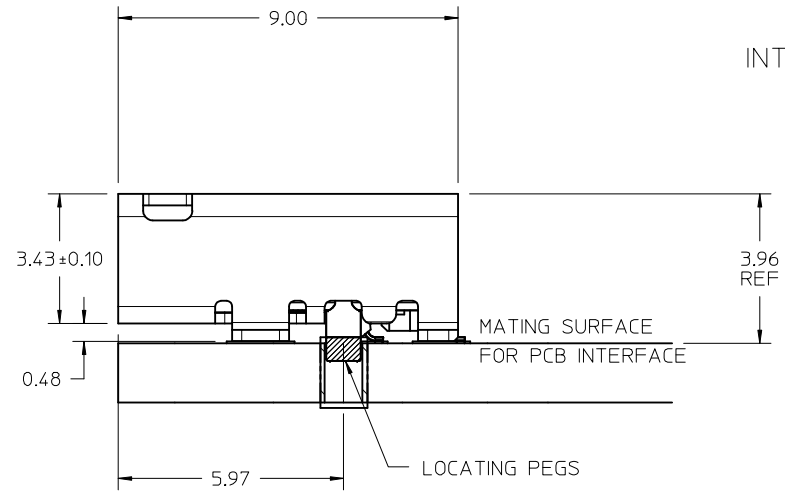
SEE SHEET 1 EC NO: UCP2016-3533 DRAWN: MJANTELEZIO 2016/03/02 CHKD: APPR: SMILLER 2016/03/09	QUALITY SYMBOLS	GENERAL TOLERANCES (UNLESS SPECIFIED)	DIMENSION STYLE MM ONLY	SCALE 10:1	DESIGN UNITS METRIC	THIRD ANGLE PROJECTION
	▽=0	mm INCH	DRAWN BY DATE MJANTELEZIO 2015/10/21	TITLE NANO-PITCH I/O RIGHT ANGLE PRE R1.0 - 16 GT/S		
	▽=0	4 PLACES ± --- ± ---	CHECKED BY DATE	APPROVED BY DATE MBANAKIS 2015/11/09		
	▽=0	3 PLACES ± --- ± ---	APPROVED BY DATE	MATERIAL NO. DOCUMENT NO. SEE SHEET 1 SD-171982-1000		
		ANGULAR ±1/2°	SIZE	SHEET NO. 2 OF 6		
		DRAFT WHERE APPLICABLE MUST REMAIN WITHIN DIMENSIONS	THIS DRAWING CONTAINS INFORMATION THAT IS PROPRIETARY TO MOLEX INCORPORATED AND SHOULD NOT BE USED WITHOUT WRITTEN PERMISSION			

42 CIRCUIT SMT ASSEMBLY

SEE NOTE #1



EXTERNAL

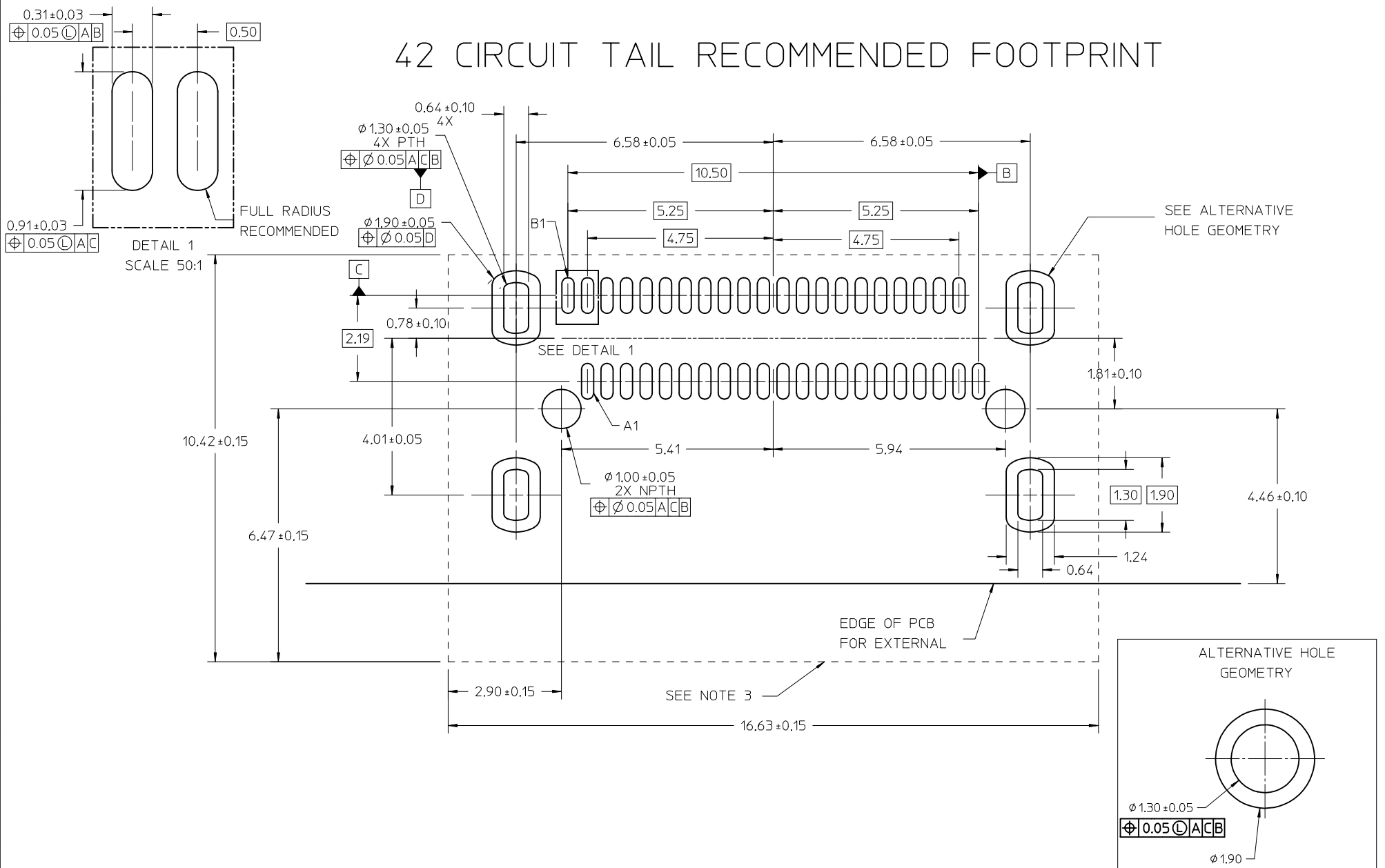


INTERNAL

- NOTES:
 1. PLANT CODE, MANUFACTURED DATE CODE (JULIAN CALENDAR) AND PART NUMBER
 2. SOLDER TAIL COPLANARITY 0.10 MAX

SEE SHEET 1 EC NO: UCP2016-3533 DRAWN: MJANTELEZIO 2016/03/02 CHKD: APPR: SMILLER 2016/03/09	QUALITY SYMBOLS ▽=0 ▽=0 ▽=0	GENERAL TOLERANCES (UNLESS SPECIFIED)		DIMENSION STYLE MM ONLY		SCALE 10:1	DESIGN UNITS METRIC	THIRD ANGLE PROJECTION		
		mm	INCH	DRAWN BY MJANTELEZIO	DATE 2015/10/21	TITLE NANO-PITCH I/O RIGHT ANGLE PRE R1.0 - 16 GT/S				
		4 PLACES ± ---	± ---	CHECKED BY	DATE	APPROVED BY MBANAKIS 2015/11/09				
		3 PLACES ± ---	± ---	MATERIAL NO.						
		2 PLACES ± 0.13	± ---	SIZE C		THIS DRAWING CONTAINS INFORMATION THAT IS PROPRIETARY TO MOLEX INCORPORATED AND SHOULD NOT BE USED WITHOUT WRITTEN PERMISSION				
		1 PLACE ± 0.25	± ---	DRAFT WHERE APPLICABLE MUST REMAIN WITHIN DIMENSIONS						
		0 PLACE ± ---	± ---							

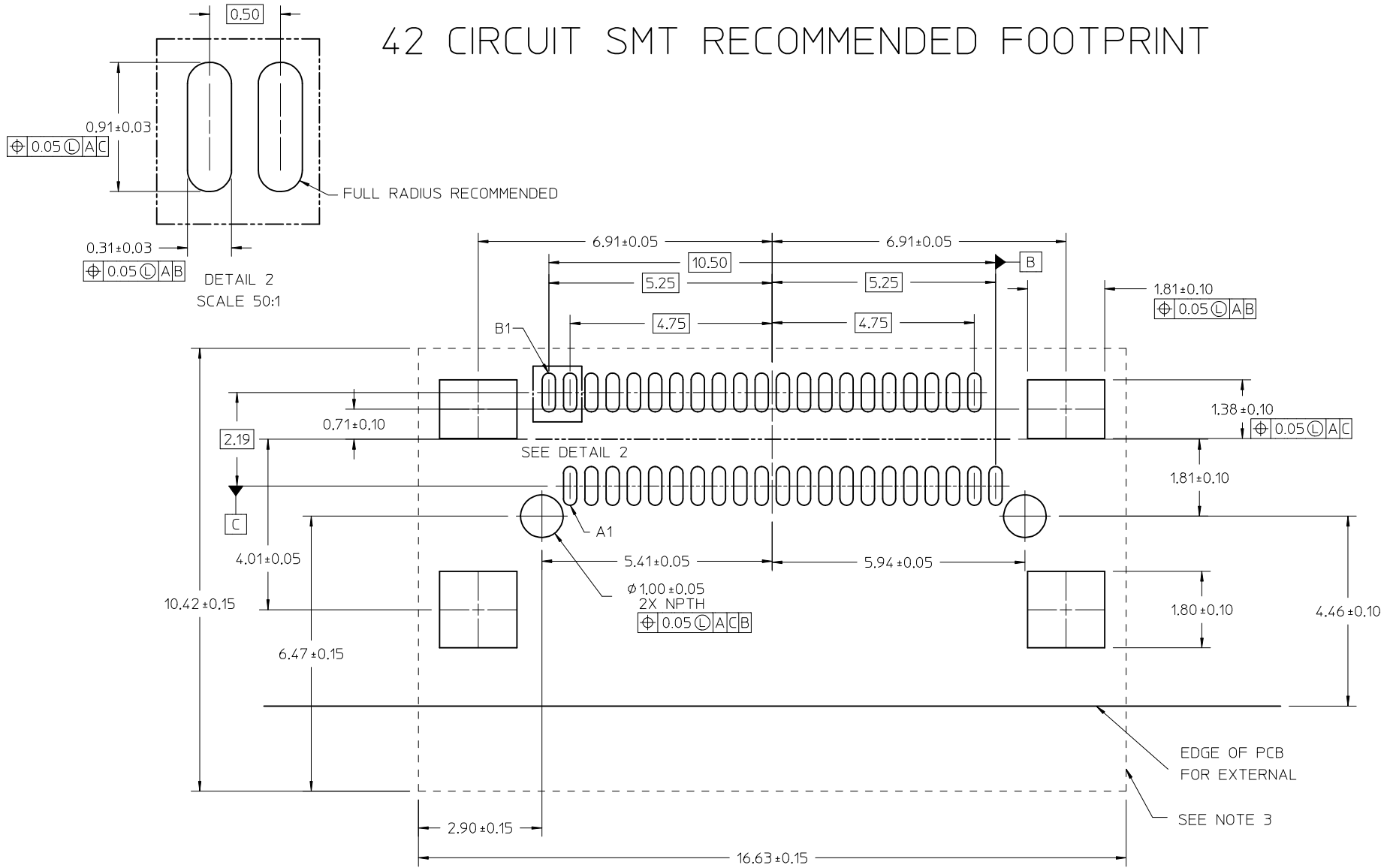
42 CIRCUIT TAIL RECOMMENDED FOOTPRINT



- NOTES:
1. MINIMUM RECOMMENDED SPACING IS 17.25mm
 2. MINIMUM RECOMMENDED PCB THICKNESS: 1.57mm
 3. CONNECTOR KEEP OUT AREA
 4. DATUM -A- ESTABLISHED FROM TOP SURFACE OF PCB

SEE SHEET 1 EC NO: UCP2016-3533 DRAWN: JANTELEZIO 2016/03/02 CHKD: APPR: SMILLER 2016/03/09	QUALITY SYMBOLS	GENERAL TOLERANCES (UNLESS SPECIFIED)	DIMENSION STYLE MM ONLY	SCALE 15:1	DESIGN UNITS METRIC	THIRD ANGLE PROJECTION
	▽=0	mm INCH	DRAWN BY DATE MJANTELEZIO 2015/10/21	TITLE NANO-PITCH I/O RIGHT ANGLE PRE R1.0 - 16 GT/S		
	▽=0	4 PLACES ± --- ± ---	CHECKED BY DATE	molex DOCUMENT NO. SD-171982-1000 SHEET NO. 4 OF 6		
	▽=0	3 PLACES ± --- ± ---	APPROVED BY DATE MBANAKIS 2015/11/09			
		2 PLACES ± 0.13 ± ---	MATERIAL NO.	SEE SHEET 1		
		1 PLACE ± 0.25 ± ---	SIZE	THIS DRAWING CONTAINS INFORMATION THAT IS PROPRIETARY TO MOLEX INCORPORATED AND SHOULD NOT BE USED WITHOUT WRITTEN PERMISSION		
		0 PLACE ± --- ± ---				
		ANGULAR ±1/2°				
		DRAFT WHERE APPLICABLE MUST REMAIN WITHIN DIMENSIONS				

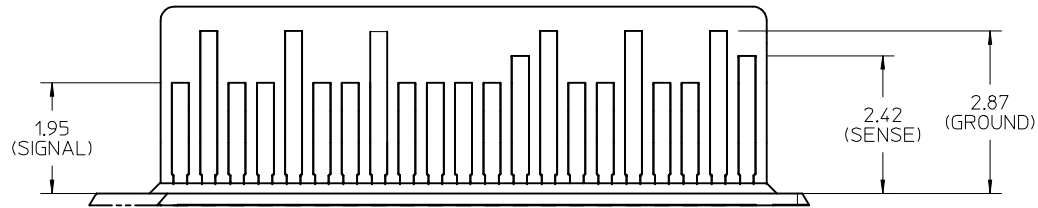
42 CIRCUIT SMT RECOMMENDED FOOTPRINT



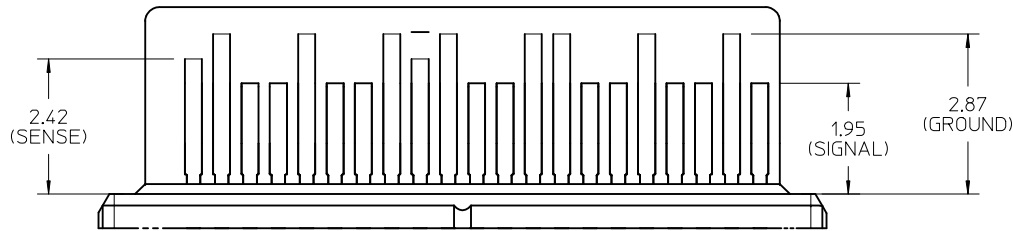
- NOTES:
1. MINIMUM RECOMMENDED SPACING IS 17.25mm
 2. MINIMUM RECOMMENDED PCB THICKNESS: 1.57mm
 3. CONNECTOR KEEP OUT AREA
 4. DATUM -A- ESTABLISHED FROM TOP SURFACE OF PCB

SEE SHEET 1 EC NO: UCP2016-3533 DRAWN: MJANTELEZIO 2016/03/02 CHKD: APPR: MILLER 2016/03/09	QUALITY SYMBOLS	GENERAL TOLERANCES (UNLESS SPECIFIED)	DIMENSION STYLE MM ONLY	SCALE 15:1	DESIGN UNITS METRIC	THIRD ANGLE PROJECTION
	▽=0	mm INCH	DRAWN BY DATE MJANTELEZIO 2015/10/21	TITLE NANO-PITCH I/O RIGHT ANGLE PRE R1.0 - 16 GT/S		
	▽=0	4 PLACES ± --- ± ---	CHECKED BY DATE	molex		
	▽=0	3 PLACES ± --- ± ---	APPROVED BY DATE MBANAKIS 2015/11/09			
		2 PLACES ± 0.13 ± ---	MATERIAL NO.	DOCUMENT NO.	SHEET NO.	
		1 PLACE ± 0.25 ± ---	SEE SHEET 1	SD-171982-1000	5 OF 6	
		0 PLACE ± --- ± ---	THIS DRAWING CONTAINS INFORMATION THAT IS PROPRIETARY TO MOLEX INCORPORATED AND SHOULD NOT BE USED WITHOUT WRITTEN PERMISSION			
		ANGULAR ±1/2°				
		DRAFT WHERE APPLICABLE MUST REMAIN WITHIN DIMENSIONS				

INTERFACE PATTERN



42 CIRCUITS
BOTTOM
SCALE 15:1



42 CIRCUITS
TOP
SCALE 15:1

SEE SHEET 1 EC NO: UCP2016-3533 DRAWN: MJANTELEZIO 2016/03/02 CHKD: APPR: SMILLER 2016/03/09	QUALITY SYMBOLS	GENERAL TOLERANCES (UNLESS SPECIFIED)		DIMENSION STYLE	SCALE	DESIGN UNITS	THIRD ANGLE PROJECTION	
	▽=0	mm	INCH	MM ONLY	15:1	METRIC	NANO-PITCH I/O RIGHT ANGLE PRE R1.0 - 16 GT/S molex	
	▽=0	4 PLACES ± --- ± ---	3 PLACES ± --- ± ---	DRAWN BY DATE				
	▽=0	DRAFT WHERE APPLICABLE MUST REMAIN WITHIN DIMENSIONS		2 PLACES ± 0.13 ± ---	MJANTELEZIO 2015/10/21	TITLE		
			1 PLACE ± 0.25 ± ---	CHECKED BY DATE				
			0 PLACE ± --- ± ---	APPROVED BY DATE				
			ANGULAR ±1/2°	MBANAKIS 2015/11/09				
				MATERIAL NO.	SEE SHEET 1	DOCUMENT NO.	SD-171982-1000	SHEET NO. 6 OF 6
				SIZE	THIS DRAWING CONTAINS INFORMATION THAT IS PROPRIETARY TO MOLEX INCORPORATED AND SHOULD NOT BE USED WITHOUT WRITTEN PERMISSION			