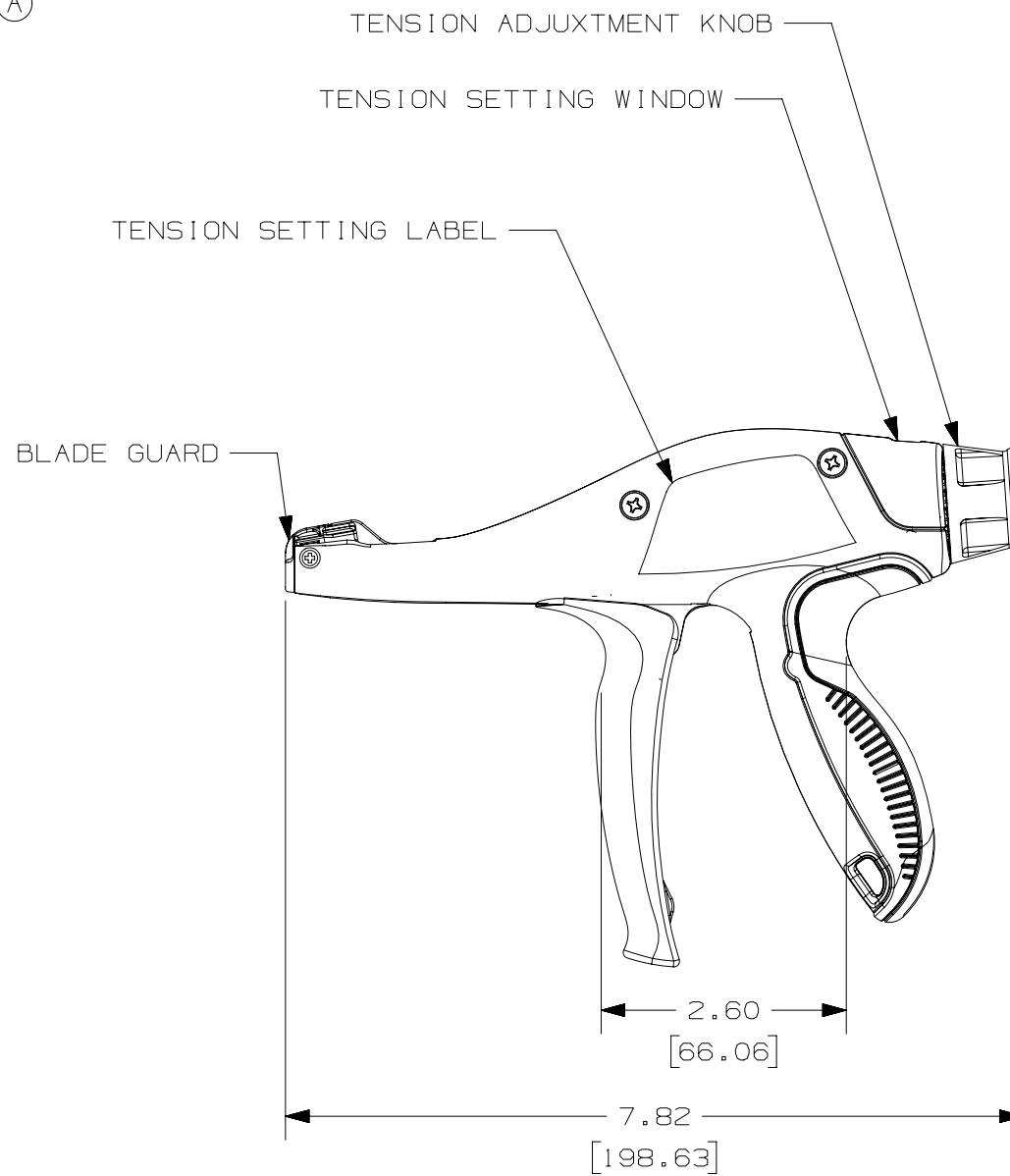
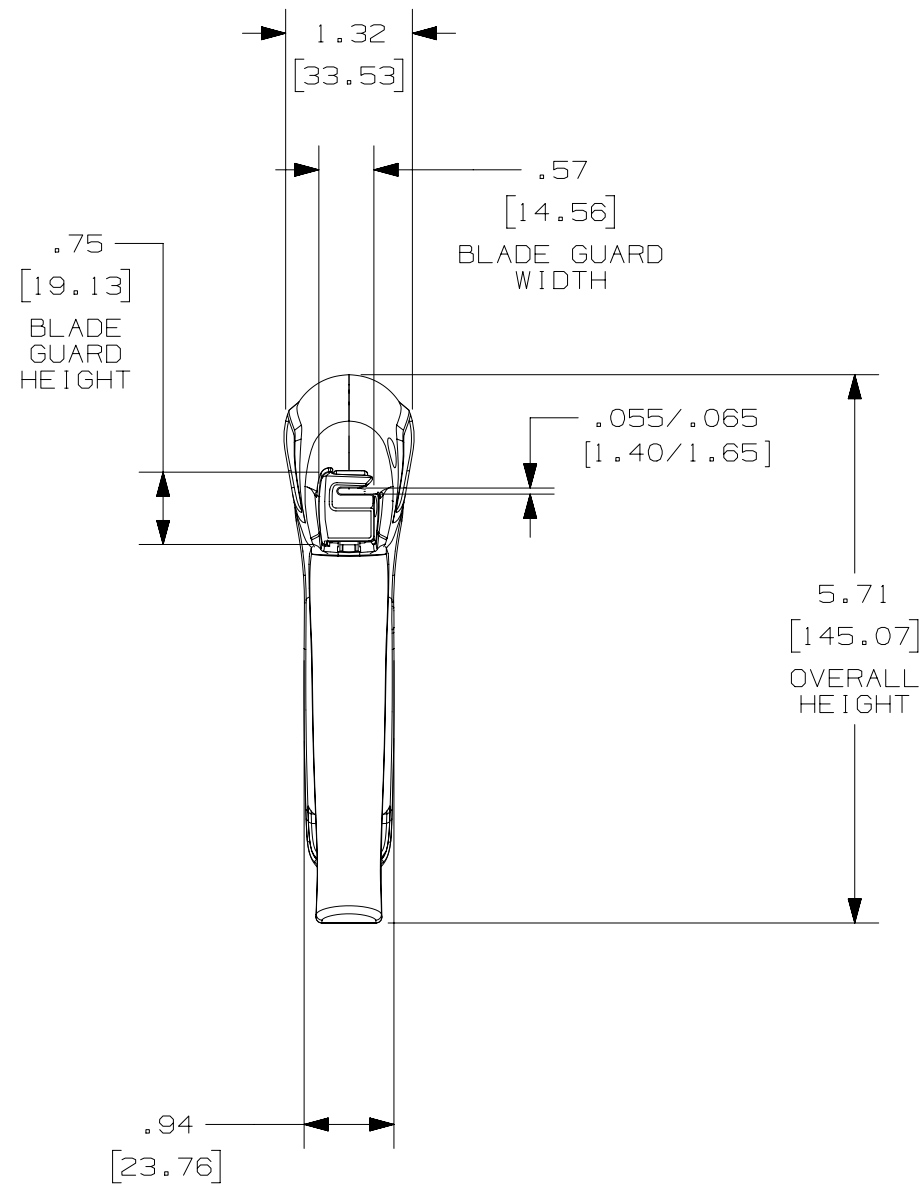


PANDUIT TOOL NO.	INSTALLS * THE FOLLOWING CABLE TIE CROSS-SECTION **	WEIGHT/PC	
		OZ	GRAMS
GTS-E	SM,M,I,S	10.4	294

(A)



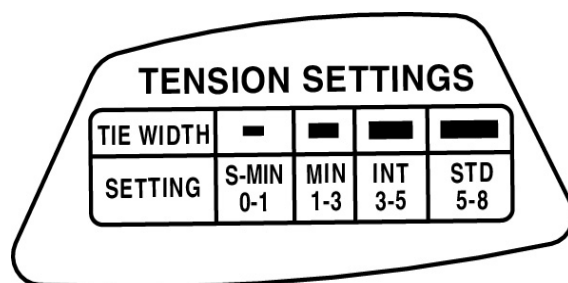
NOTES, UNLESS OTHERWISE SPECIFIED:

RoHS COMPLIANT.

* THIS TOOL TIGHTENS CABLE TIES AND CUTS OFF EXCESS PORTION WHEN PRESET TENSION IS ATTAINED.

** CABLE TIE CROSS-SECTION CODE:
 SM = SUB-MINIATURE
 M = MINIATURE
 I = INTERMEDIATE
 S = STANDARD.

DIMENSIONS IN BRACKETS ARE METRIC.



REV	DATE	BY	CHK	APR	DESCRIPTION	ECN
02	10-29-15	JEH	ABJ	ABJ	WAS: (A) 10.49 oz 298.2 GRAMS	4769
01	8-26-15	JEH	ABJ	ABJ	ADDED TENSION LABEL VIEW	4769
00	1-26-15	JEH	ABJ	ABJ	RELEASED	4769

TITLE		CD, GTS-E	
ITEM REVISION NAME		Customer/Military Drawing	
DATASET FILE NAME		R27575AA/02	
DATASET FILE NAME		R27575AA_DS_WB27575B01/02A	
UNLESS OTHERWISE SPECIFIED, DIMENSIONAL TOLERANCES ARE: IN [mm]		PANDUIT	
.x ± .1 [2.54] .xxx ± .005 [.127]		MATERIAL:	
.xx ± .01 [.25] ANGLES ± 5°		-	
THIRD ANGLE PROJECTION		DRAWING NUMBER:	
WB27575B01		WB27575B01	
DRAWN BY	DATE	CHK	SCALE
JEH	1-26-15	ABJ	1:2
SHT 1 OF 1			SIZE
SHT 1 OF 1			B