

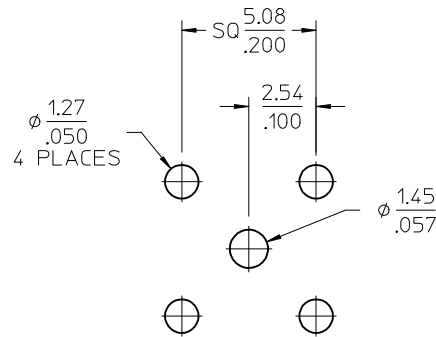
MATERIALS AND FINISHES

BODY: ZINC ALLOY  
PLATED SEE TABLE

CONTACT: BRASS  
PLATED SEE TABLE

INSULATOR: TEFLON

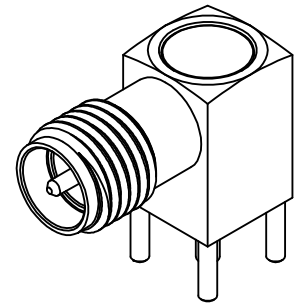
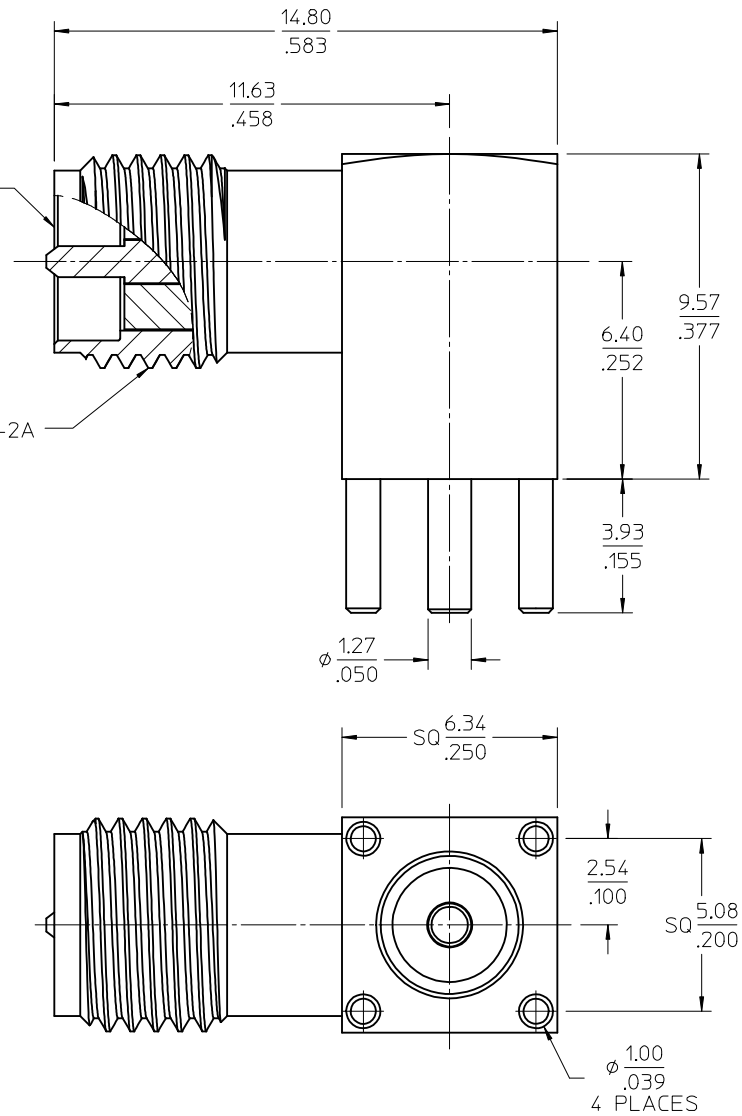
CAP: BRASS  
PLATED SEE TABLE



RECOMMENDED PCB PATTERN

SMA JACK  
REVERSE POLARITY

1/4-36 UNS-2A



PS-89675-283	PRODUCT SPECIFICATION
SPECIFICATION	DESCRIPTION

73391-0322	GOLD FLASH	GOLD 1U"~3U"
73391-0321	NICKEL 100U"~150U"	GOLD 1U"~3U"
73391-0320	GOLD 1U"~3U"	GOLD 10U"~30U"
PART NO	BODY & CAP	CONTACT

CHG: ADDED PS PER RFI5-E352	EC NO: URF2016-0293	2015/10/14
	DRWN: CME102	2015/10/14
A5	CHKD: JAPPR: YCHENG	2015/10/19
	APPR: YCHENG	2015/10/19
REV	DESCRIPTION	

QUALITY SYMBOLS	▽=0
	▽=0
GENERAL TOLERANCES (UNLESS SPECIFIED)	mm
	INCH
DRAFT WHERE APPLICABLE MUST REMAIN WITHIN DIMENSIONS	4 PLACES ± --- ± ---
	3 PLACES ± --- ± ---
	2 PLACES ± --- ± ---
	1 PLACE ± --- ± ---
	0 PLACE ± --- ± ---
ANGULAR ± 2 °	

DIMENSION STYLE		SCALE	DESIGN UNITS	THIRD ANGLE PROJECTION
MM/IN			METRIC	
DRAWN BY	DATE	TITLE		
CLAIRE LEE	2001/10/25	SMA JACK RA REVERSE POLAR PCB TH SMA-J/RA/PCB EWR-4968		
CHECKED BY	DATE			
SSS	2012/05/21			
APPROVED BY	DATE	MATERIAL NO. DOCUMENT NO.		
		SEE TABLE SD-73391-032		
SIZE		SHEET NO.		
C		1 OF 1		

THIS DRAWING CONTAINS INFORMATION THAT IS PROPRIETARY TO MOLEX INCORPORATED AND SHOULD NOT BE USED WITHOUT WRITTEN PERMISSION