

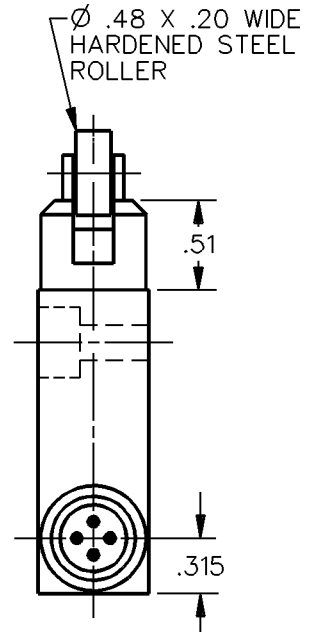
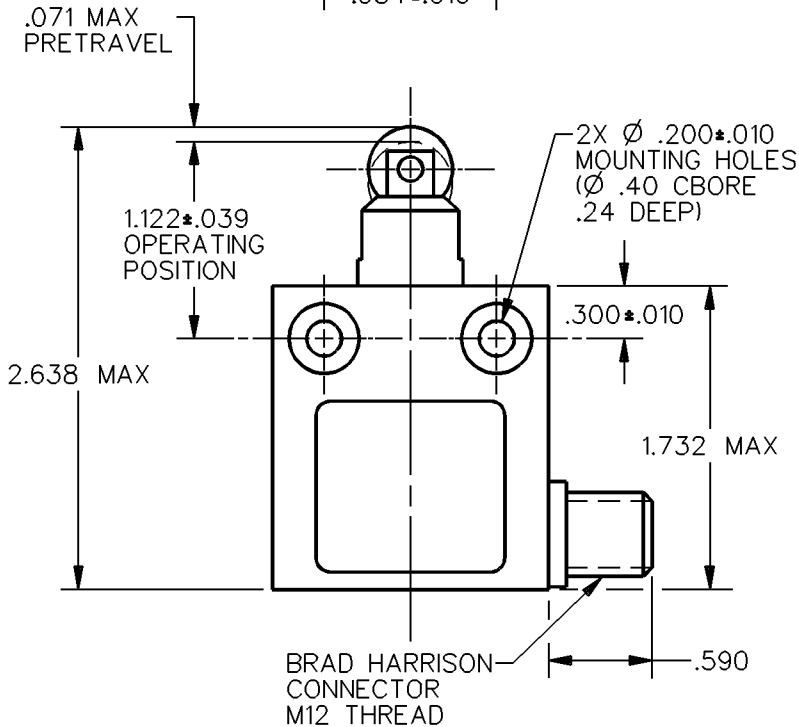
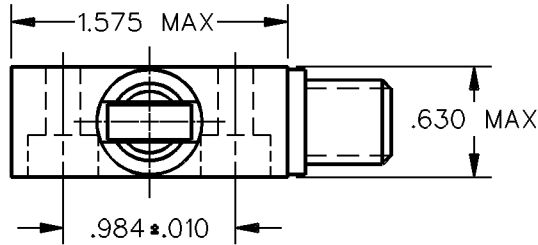
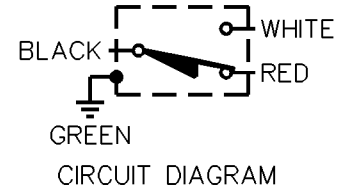
**MICRO SWITCH**  
a Honeywell Division

FED. MFG. CODE 91929

**MINIATURE PRECISION  
LIMIT SWITCH**

CATALOG LISTING

**912CE2-AQ**

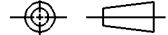


- NOTES  
1 - ZINC HOUSING FINISHED WITH GRAY PAINT  
2 - SIDE EXIT CONNECTOR

ANSI Y14.5M-1982 APPLIES

THIS DRAWING COVERS A PROPRIETARY ITEM AND IS THE PROPERTY OF MICRO SWITCH, A DIVISION OF HONEYWELL. THIS DRAWING IS NOT TO BE COPIED OR USED WITHOUT THE APPROVAL OF MICRO SWITCH.

THIRD ANGLE PROJECTION



CHARACTERISTICS	ELECTRICAL DATA	SCALE	FULL	DO NOT SCALE PRINT
		OPERATING FORCE — — — 2.7 LB MAX RELEASE FORCE — — — — 1.0 LB MIN DIFFERENTIAL TRAVEL — — — .004 MAX OVERTRAVEL — — — — — .118 MIN	CONTACT ARRANGEMENT S P D T  5A - 250 VAC 1/10HP - 125 OR 250 VAC  	<b>UNLESS OTHERWISE SPECIFIED TOLERANCES ARE</b> ONE PLACE (.0) ±.030 TWO PLACE (.00) ±.015 THREE PLACE (.000) ±.005 ANGLES ± WEIGHT

914CE2-AQ  
 M  
 DRAWING NUMBER  
 1  
 ISSUE  
 REVISIONS  
 CHECK  
 CHECK  
 DDM/CAD  
 DRAWN  
 SA V 25 OCT 91  
 CHECK

REPLACES  
 RELEASE NO. CO-69061