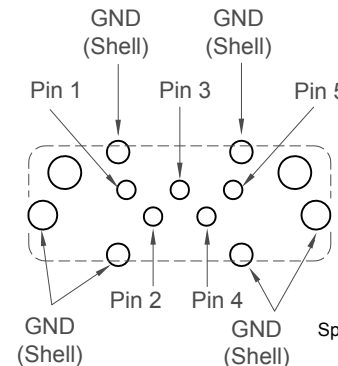


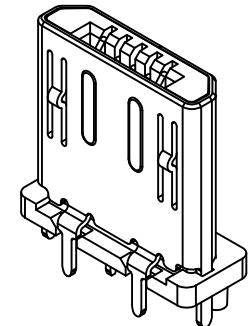
**Recommended PCB Layout**

Tolerance:  $\pm 0.05\text{mm}$

□ Component Outline



**PCB Pin Number Description**



**Specifications 规格**

**Materials 材料:**

Plastic Housing 塑胶外壳: LCP, UL94V-0, Black  
 Contact Terminal 接触端子: Copper Alloy  
 Metallic Shell 金属外壳: Stainless Steel

**Plating 电镀:**

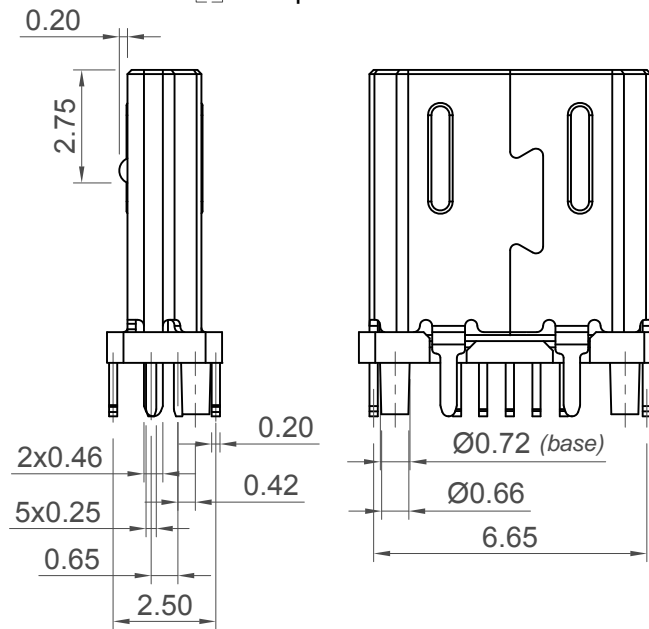
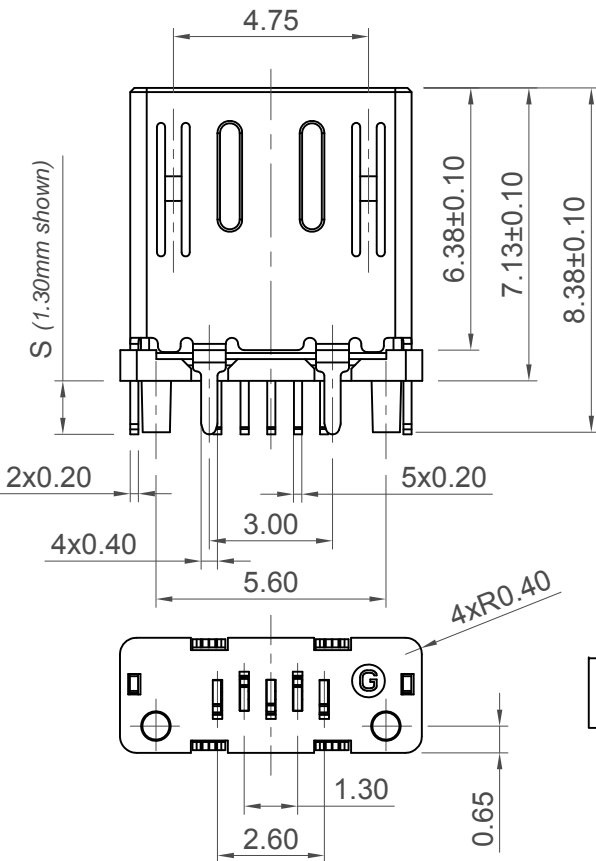
Underplating 底层电镀: 50 $\mu$ " Nickel min.  
 Finish 表面处理: Contact Area 接触面积: 30 $\mu$ " Gold plating  
 Solder Tails 焊接末端: Matte Tin  
 Metallic Shell 金属外壳: Nickel

**Electrical 电气规格:**

Voltage Rating 电压额定值: 30 V AC  
 Current Rating 电流额定值: Signal (Pins 2,3,4)信号: 1.0 A.  
 Power (Pins 1,5)电源: 1.8A.  
 Operating Temperature 工作温度: -30°C to +85°C.  
 Contact Resistance 接触电阻值: 30 m $\Omega$  max.  
 Insulating Resistance 绝缘电阻值: 1000 M $\Omega$  min.  
 Dielectric Withstand Voltage 耐电压: 500V AC/Minute

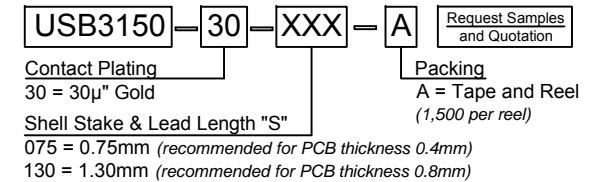
**Mechanical 机械性规格:**

Mating Force 插入力: 35N max.  
 Unmating Force 拔出力: 8N min.  
 Durability 耐久性: 10,000 cycles

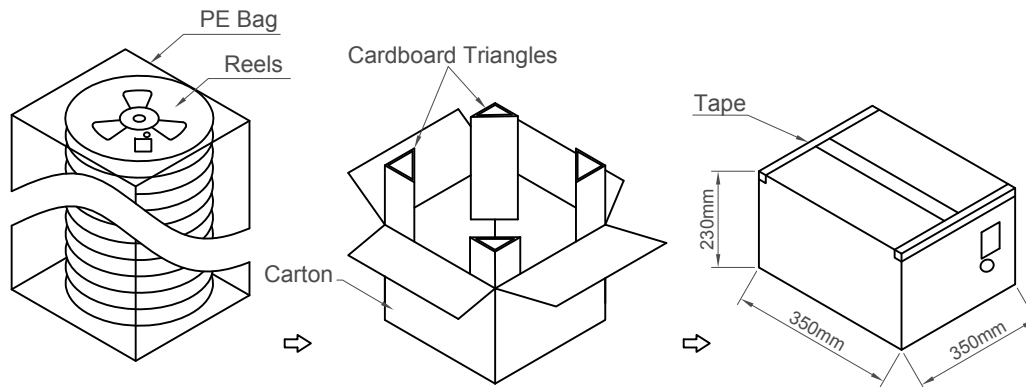
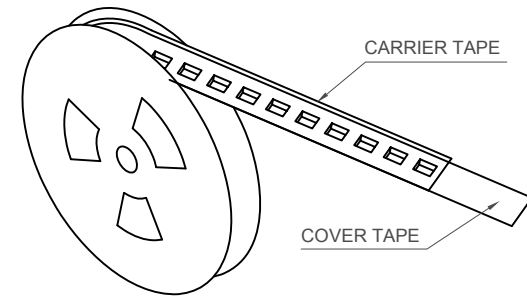
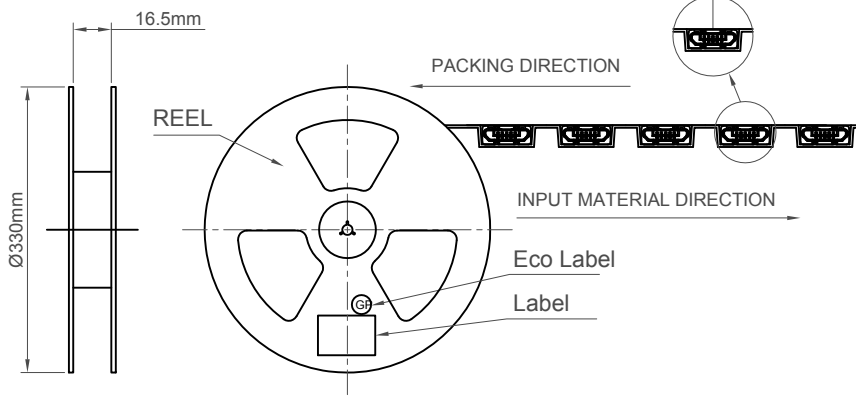
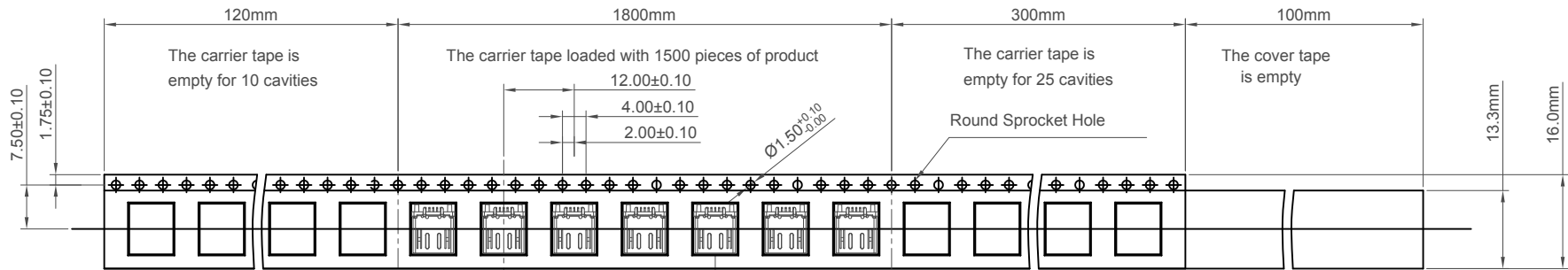


Designed to comply with physical, electrical and environmental requirements of Micro USB Standard (USB2.0)

**Ordering Grid**



|                 |                 |   |             |  |  |
|-----------------|-----------------|---|-------------|--|--|
| Part Number     |                 | Product Description                           |             |  | This drawing is confidential and copyright of Global Connector Technology, Ltd (GCT). This drawing must not be copied or disclosed without written consent. E & OE |
| USB3150         |                 | µUSB Plug - Type B, Through-Hole              |             |  |  |
| Drawing Date    |                 | Vertical, with Shell Stakes and Locating Pegs |             |  |  |
| 30th April 2015 |                 |   |             |  | Global Connector Technology<br>www.gct.co  |
| By              | AJO             | Tolerances (Except as Noted)                  | Units:      |  |  |
| Detail          | Drawing Release | Length  | Metric (mm) |  |  |
| Revision        | A1              | Angle   |             |  |  |
| Date            | 10/08/15        | X.X ± 0.10                                    | X° ± 2.0°   |  |  |
|                 |                 | X.XX ± 0.05                                   | X.X° ± 1.0° |  |  |



| Part Number         | Specification           | Q'ty   |
|---------------------|-------------------------|--------|
| Carrier Tape        | 16.0mm (W) x 18.42m (L) | 10     |
| Cover Tape          | 13.3mm (W)              | 185.2m |
| Reel                | 330 x 21mm              | 10     |
| Bag                 | 400 x 400 x 400mm, PE   | 1      |
| Cardboard Triangles | 430 x 215 x 3mm         | 4      |
| Carton              | 350 x 350 x 230mm       | 1      |
| Desiccant           | 3.5g                    | 2      |

| Part Number | Pcs./Reel | Reels/Carton | Pcs./Carton |
|-------------|-----------|--------------|-------------|
| USB3150     | 1500      | 10           | 15000       |

|                                 |                           |  |                          |   |
|---------------------------------|---------------------------|--|--------------------------|---|
| Part Number<br>USB3150          |                           | Product Description<br>µUSB Plug - Type B, Through-Hole<br>Vertical, with Shell Stakes and Locating Pegs |                          | <br>Global Connector Technology<br>www.gct.co   |
| Drawing Date<br>30th April 2015 |                           |  |                          |   |
| By<br>AJO                       | Detail<br>Drawing Release | Tolerances (Except as Noted)<br>Length<br>X.X ± 0.10<br>X.XX ± 0.05                                      | Units:<br>Metric (mm)    | <br>This drawing is confidential and copyright of Global Connector Technology, Ltd (GCT).<br>This drawing must not be copied or disclosed without written consent. E & OE |
| Revision<br>A1                  | Date<br>10/08/15          | Angle<br>X.° ± 2°<br>X.X° ± 1°   | <br>3rd Angle Projection | <br>Not to Scale<br>Drawn By<br>AJO<br>Sheet No.<br>2/2   |

H  
G  
F  
E  
D  
C  
B  
A