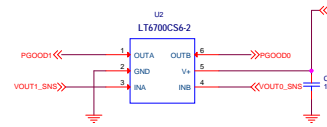
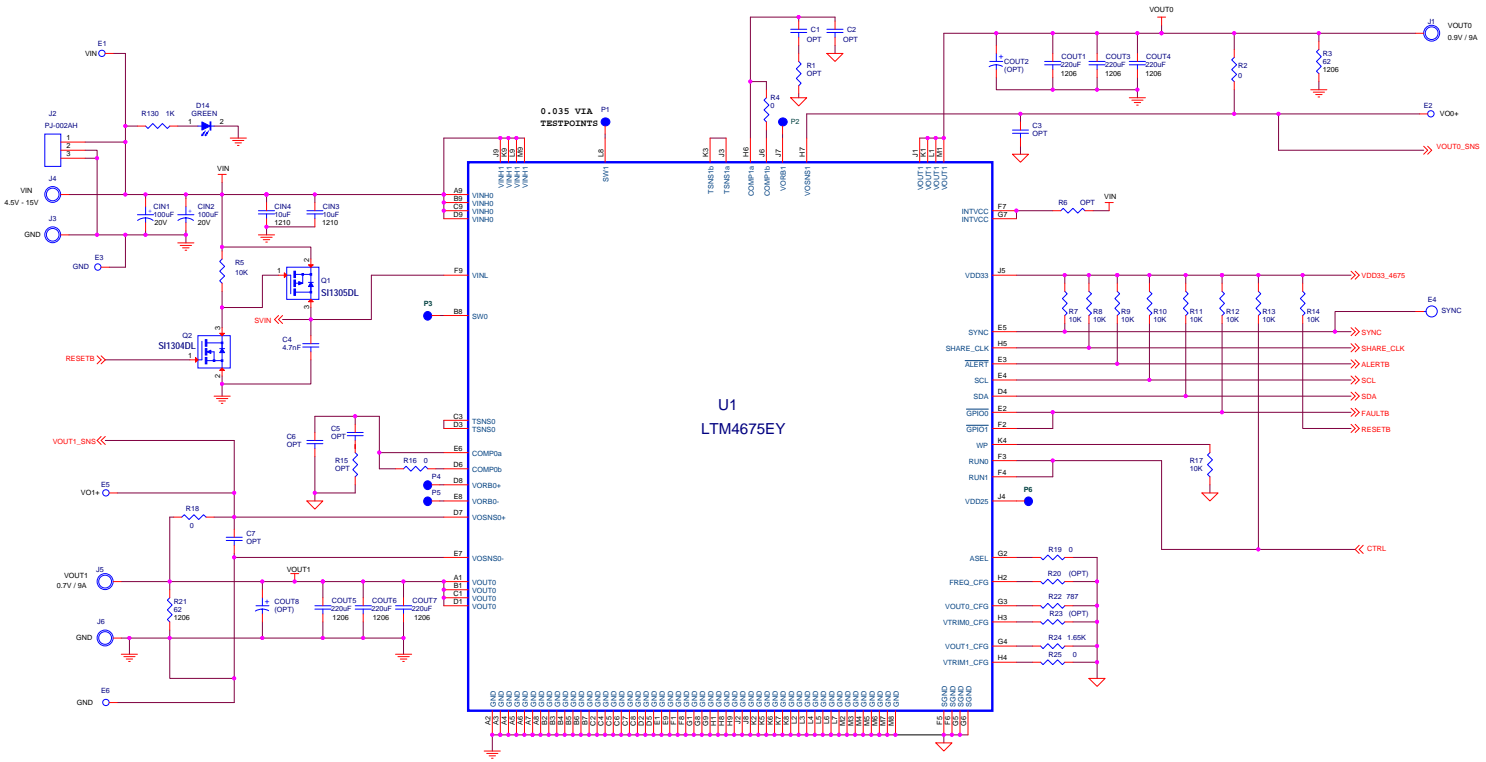


REVISION HISTORY				
ECO	REV	DESCRIPTION	APPROVED	DATE
-	2	PRODUCTION	Haoran W.	5-9-14



NOTE: UNLESS OTHERWISE SPECIFIED

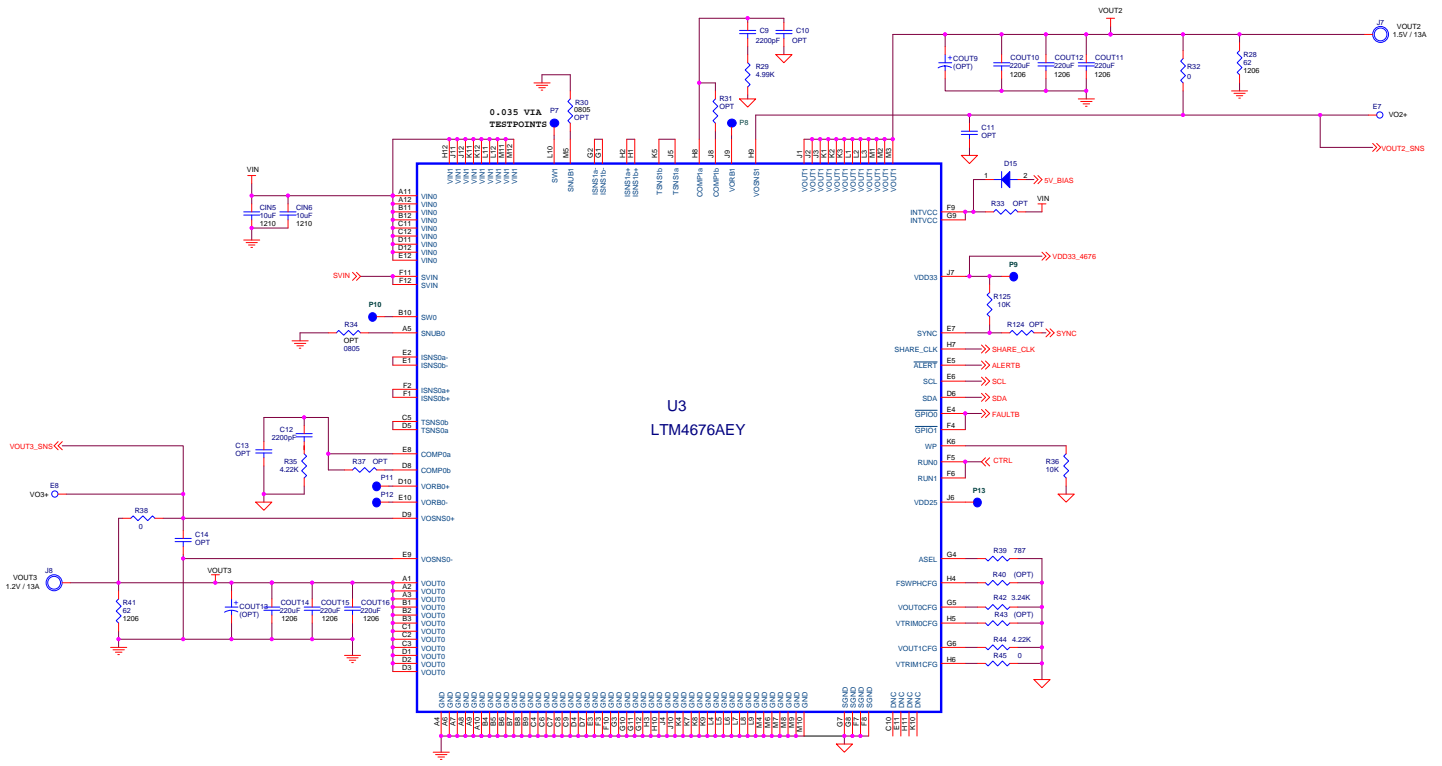
1. ALL RESISTORS ARE 0603.
- ALL CAPACITORS ARE 0603.

WHEN VIN < 5.75V, SHORT INTVCC TO VIN WITH R6, R33, R50 = 0ohm.
 FOR LOW POWER DEMO ONLY, USE DC POWER JACK J20 TO PROVIDE 12V VIN;
 FOR FULL POWER DEMO, USE BANANA JACK J1 TO PROVIDE 12V VIN.

CUSTOMER NOTICE
 LINEAR TECHNOLOGY HAS MADE A BEST EFFORT TO DESIGN A CIRCUIT THAT MEETS CUSTOMER-SUPPLIED SPECIFICATIONS. HOWEVER, IT REMAINS THE CUSTOMER'S RESPONSIBILITY TO VERIFY PROPER AND RELIABLE OPERATION IN THE ACTUAL APPLICATION. COMPONENT SUBSTITUTION AND POWERED CIRCUIT BOARD LAYOUT MAY SIGNIFICANTLY AFFECT CIRCUIT PERFORMANCE OR RELIABILITY. CONTACT LINEAR TECHNOLOGY APPLICATIONS ENGINEERING FOR ASSISTANCE.

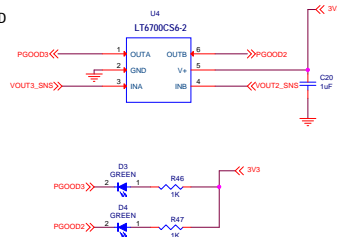
THIS CIRCUIT IS PROPRIETARY TO LINEAR TECHNOLOGY AND SUPPLIED FOR USE WITH LINEAR TECHNOLOGY PARTS.

APPROVALS		TITLE: SCHEMATIC
PCB DES.	HZ	
APP. ENG.	Haoran W.	
SIZE	B	IC NO. LTM4675EY+LTM4676AEY+LTM4677EY
DATE:	Friday, March 18, 2016	REV. 2
SCALE = NONE		DEMO CIRCUIT 2204A
		SHEET 1 OF 5



NOTE: UNLESS OTHERWISE SPECIFIED

1. ALL RESISTORS ARE 0403.
ALL CAPACITORS ARE 0403.



CUSTOMER NOTICE

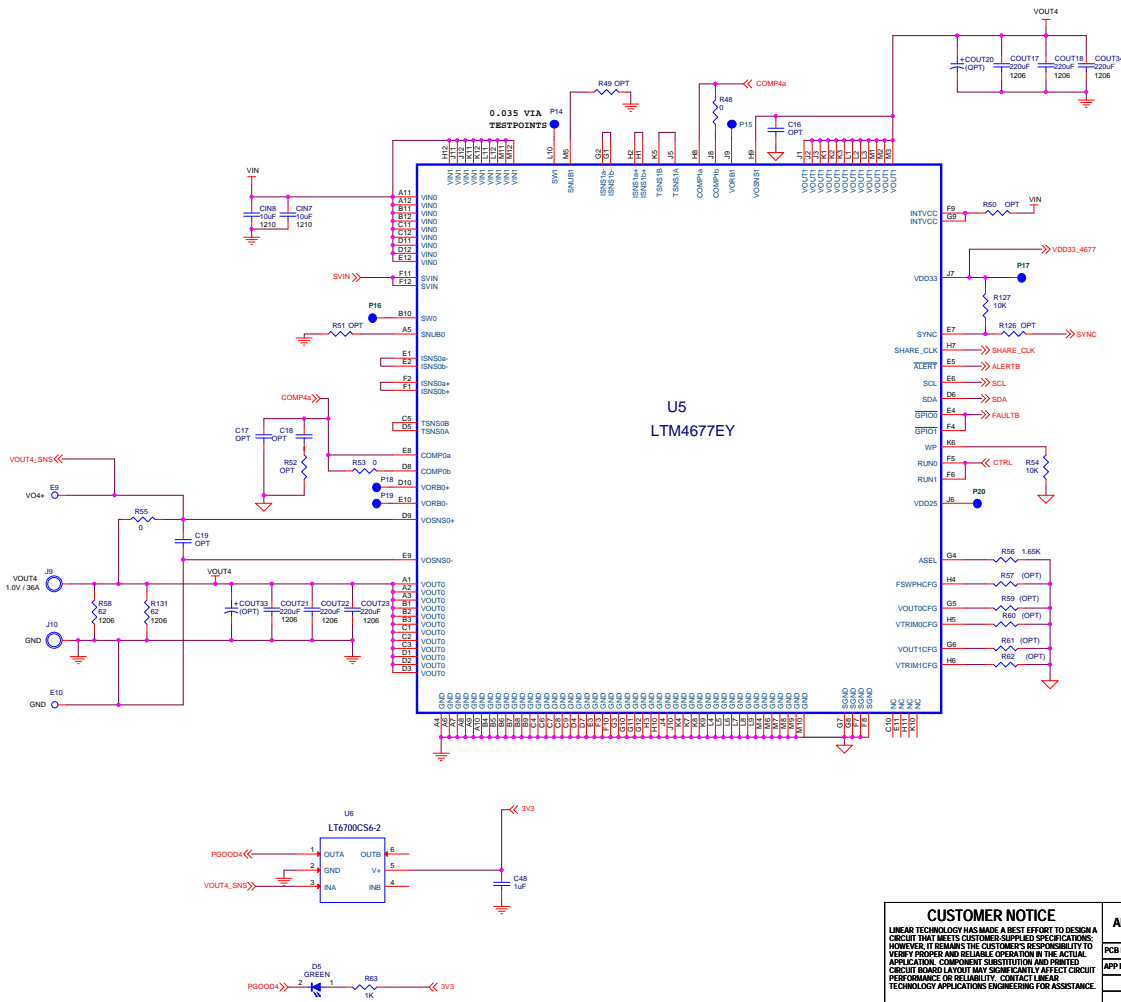
LINEAR TECHNOLOGY HAS MADE A BEST EFFORT TO DESIGN A CIRCUIT THAT MEETS CUSTOMER-SUPPLIED SPECIFICATIONS. HOWEVER, IT REMAINS THE CUSTOMER'S RESPONSIBILITY TO VERIFY PROPER AND RELIABLE OPERATION IN THE ACTUAL APPLICATION. COMPONENT SUBSTITUTION AND POWERED CIRCUIT BOARD LAYOUT MAY SIGNIFICANTLY AFFECT CIRCUIT PERFORMANCE. FOR RELIABILITY, CONTACT LINEAR TECHNOLOGY APPLICATIONS ENGINEERING FOR ASSISTANCE.

THIS CIRCUIT IS PROPRIETARY TO LINEAR TECHNOLOGY AND SUPPLIED FOR USE WITH LINEAR TECHNOLOGY PARTS.

APPROVALS

PCB DES.	HZ
APP'NG.	Heaven W.
SCALE	NONE

		1630 McCarthy Blvd. Milpitas, CA 95035 Phone: (408)434-1900 www.linear.com Fax: (408)434-6507 LTC Confidential-For Customer Use Only
TITLE: SCHEMATIC		
µMODULE POWER STICK WITH POWER SYSTEM MANAGEMENT		
SIZE	IC NO. LTM4675EY+LTM4676AEY+LTM4677EY	REV.
B	LTM4620AEY+LTC2974CUP DEMO CIRCUIT 2204A	2
DATE:	Friday, March 18, 2016	SHEET 2 OF 5

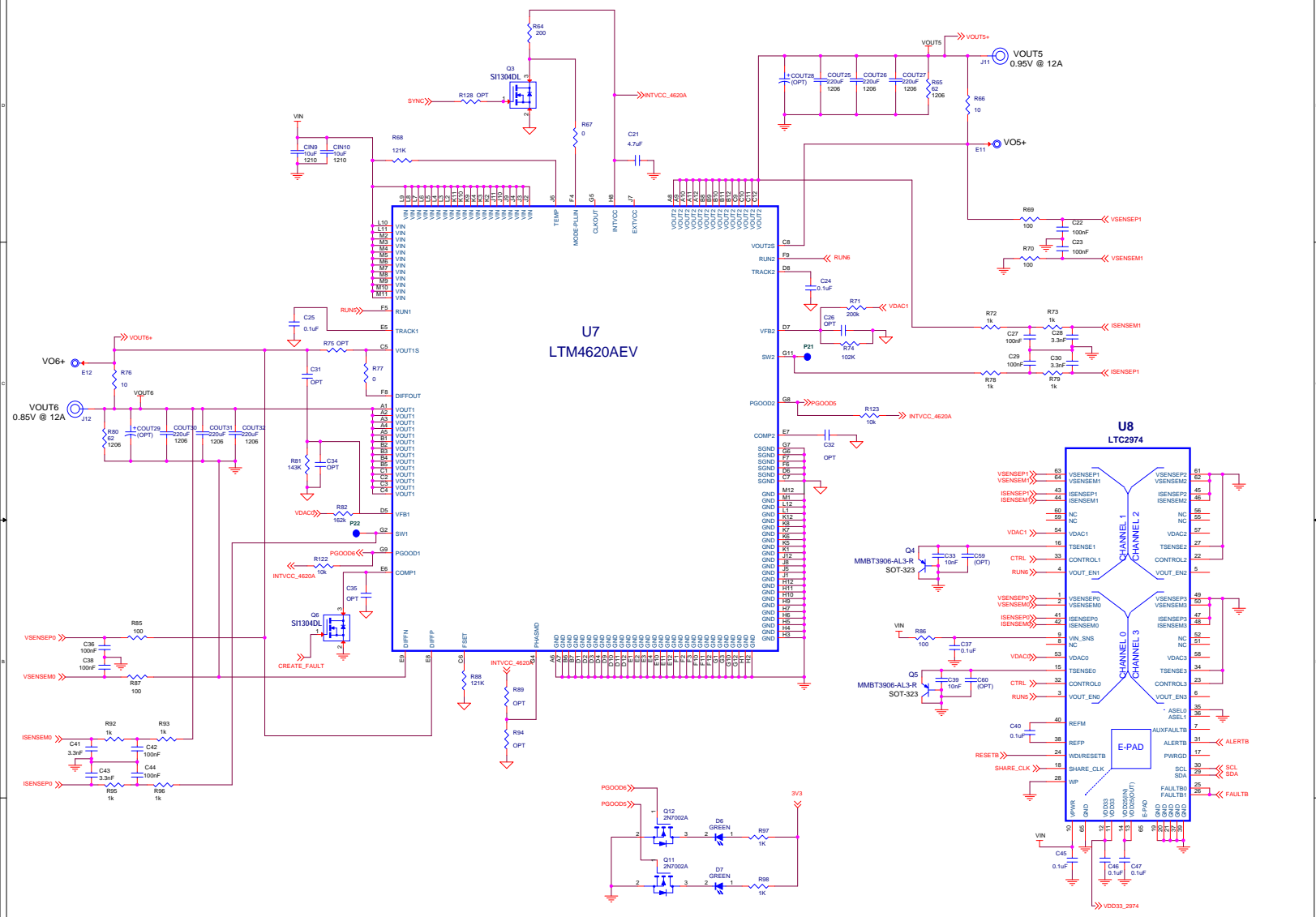


CUSTOMER NOTICE
 LINEAR TECHNOLOGY HAS MADE A BEST EFFORT TO DESIGN A CIRCUIT THAT MEETS CUSTOMER-SUPPLIED SPECIFICATIONS. HOWEVER, IT REMAINS THE CUSTOMER'S RESPONSIBILITY TO VERIFY PROPER AND RELIABLE OPERATION IN THE ACTUAL APPLICATION. COMPONENT SUBSTITUTION AND PRINTED CIRCUIT BOARD LAYOUT MAY SIGNIFICANTLY AFFECT CIRCUIT PERFORMANCE. FOR RELIABILITY, CONTACT LINEAR TECHNOLOGY APPLICATIONS ENGINEERING FOR ASSISTANCE.

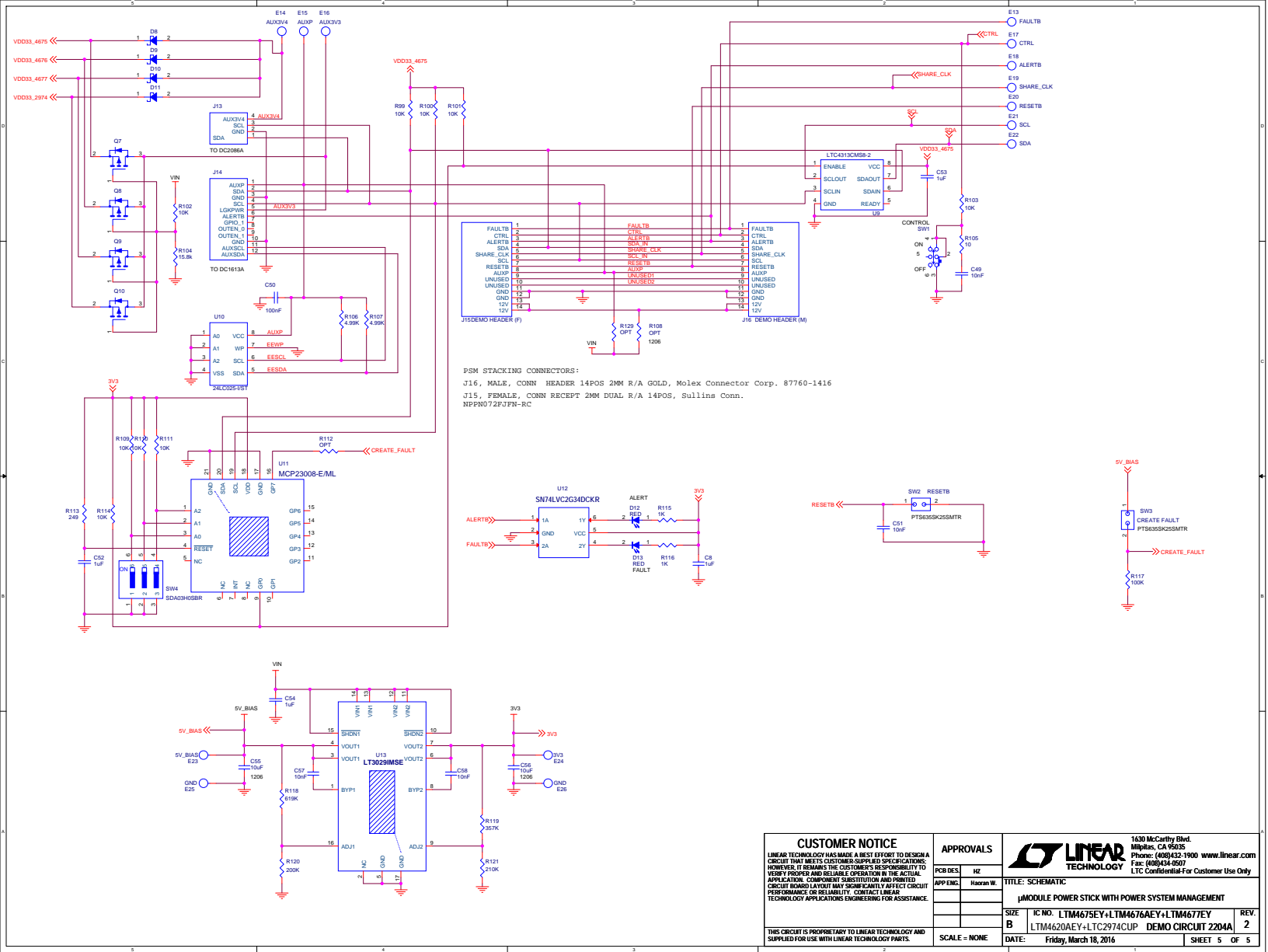
APPROVALS	
PCB DES.	HZ
APP. ENG.	Heaven W.
SCALE	NONE

LINEAR TECHNOLOGY		1630 McCarthy Blvd. Folsom, CA 95635 Phone: (916)434-1900 www.linear.com Fax: (916)434-6507 LTC Confidential-For Customer Use Only	
TITLE: SCHEMATIC			
µMODULE POWER STICK WITH POWER SYSTEM MANAGEMENT			
SIZE	B	IC NO. LTM4675EY+LTM4676AEY+LTM4677EY	REV. 2
		LTM4620AEY+LTC2974CUP DEMO CIRCUIT 2204A	
DATE:	Friday, March 18, 2016		SHEET 3 OF 5

THIS CIRCUIT IS PROPRIETARY TO LINEAR TECHNOLOGY AND SUPPLIED FOR USE WITH LINEAR TECHNOLOGY PARTS.



CUSTOMER NOTICE LINEAR TECHNOLOGY HAS MADE A BEST EFFORT TO DESIGN A CIRCUIT THAT MEETS CUSTOMER-SUPPLIED SPECIFICATIONS. HOWEVER, IT REMAINS THE CUSTOMER'S RESPONSIBILITY TO VERIFY PROPER AND RELIABLE OPERATION IN THE ACTUAL APPLICATION. COMPONENT SUBSTITUTION AND PRINTED CIRCUIT BOARD LAYOUT MAY SIGNIFICANTLY AFFECT CIRCUIT PERFORMANCE OR RELIABILITY. CONTACT LINEAR TECHNOLOGY APPLICATIONS ENGINEERING FOR ASSISTANCE.		APPROVALS PCB DES: HZ APP ENG: Haoran W SCALE: NONE	LINEAR TECHNOLOGY 1630 McCarthy Blvd. Milpitas, CA 95035 Phone: (408)521-1900 www.linear.com Fax: (408)434-4507 LTC Confidential-For Customer Use Only
THIS CIRCUIT IS PROPRIETARY TO LINEAR TECHNOLOGY AND SUPPLIED FOR USE WITH LINEAR TECHNOLOGY PARTS.		TITLE: SCHEMATIC MODULE POWER STICK WITH POWER SYSTEM MANAGEMENT IC NO. LTM4675EY+LTM4676AEY+LTM4677EY LTM4620AEY+LTC2974CUP DEMO CIRCUIT 2204A DATE: Friday, March 18, 2016	REV: 2 SHEET 4 OF 5



PSM STACKING CONNECTORS:
 J16, MALE, CONN HEADER 14POS 2MM R/A GOLD, Molex Connector Corp. 87760-1416
 J15, FEMALE, CONN RECEPT 2MM DUAL R/A 14POS, Sullins Conn. NPPN072FJFN-RC

CUSTOMER NOTICE
 LINEAR TECHNOLOGY HAS MADE A BEST EFFORT TO DESIGN A CIRCUIT THAT MEETS CUSTOMER-SUPPLIED SPECIFICATIONS. HOWEVER, IT REMAINS THE CUSTOMER'S RESPONSIBILITY TO VERIFY PROPER AND RELIABLE OPERATION IN THE ACTUAL APPLICATION. COMPONENT SUBSTITUTION AND PRINTED CIRCUIT BOARD LAYOUT MAY SIGNIFICANTLY AFFECT CIRCUIT PERFORMANCE. FOR RELIABILITY, CONTACT LINEAR TECHNOLOGY APPLICATIONS ENGINEERING FOR ASSISTANCE.

APPROVALS	
PCB DES:	HZ
APP'ENG:	Heaven W.
SCALE:	NONE

		1630 McCarthy Blvd. Milpitas, CA 95035 Phone: (408)432-1900 www.linear.com Fax: (408)434-6507 LTC Confidential-For Customer Use Only			
		TITLE: SCHEMATIC μMODULE POWER STICK WITH POWER SYSTEM MANAGEMENT			
SIZE	B	IC NO.	LTM4675EY+LTM4676AEY+LTM4677EY	REV.	2
DATE:	Friday, March 18, 2016	DEMO CIRCUIT	2204A	SHEET	5 OF 5