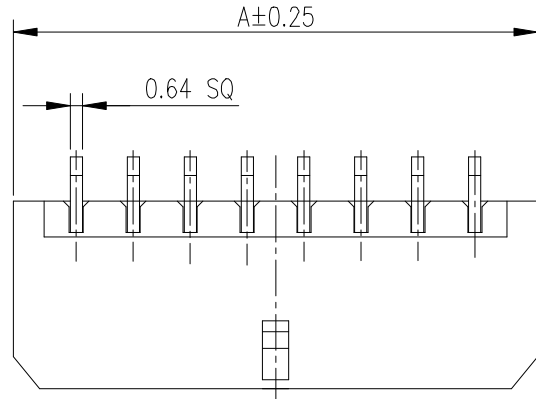


PRODUCT NUMBER
SEE P/N TABLE



- NOTE:
- MATERIAL:
HOUSING: HIGH TEMP. THERMOPLASTIC UL94V-0,
COLOR: BLACK
CONTACT: COPPER ALLOY.
 - CONTACT FINISH: 50u" MIN. NICKEL UNDERPLATED.
OPTIONAL PLATING ON CONTACT AREA.
 - THIS PLUG MATES WITH FCI RECEPTACLE WIRE
CONNECTOR 10127716.
 - PRODUCT SPECIFICATION: GS-12-1177.
 - PACKAGE SPECIFICATION: GS-14-2359.
 - THE HOUSING WILL WITHSTAND EXPOSURE TO 260°C PEAK
TEMPERATURE 10 SECONDS IN A REFLOW OVEN.
 - PART NUMBER SCHEME:
10127720- XX X X LF

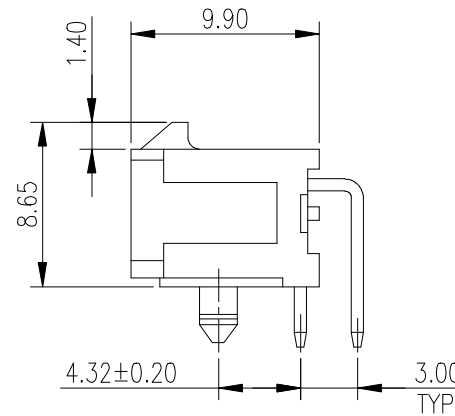
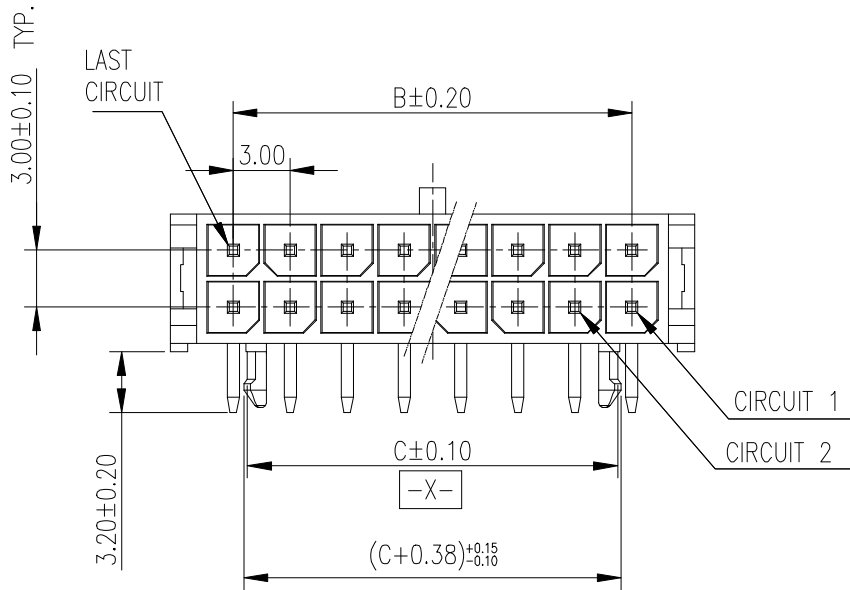
POS. CODE:
02: 2 POS
04: 4 POS
8: 8 POS
16: 16 POS
24: 24 POS

GLOW WIRE COMPATIBLE:
BLANK: NON-COMPATIBLE
G: COMPATIBLE

PLATING CODE:
1: 100u" TIN
2: GOLD FLASH

8. P/N & DIMENSION TABLE:

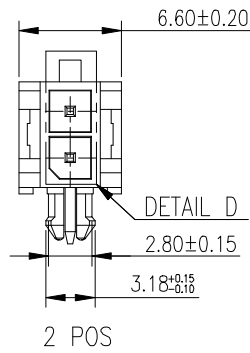
PART NO.	POS	A	B	C	D
10127720-02XXLF	2	6.60	--	2.80	--
10127720-04XXLF	4	9.60	3.00	2.80	--
10127720-06XXLF	6	12.60	6.00	2.80	--
10127720-08XXLF	8	15.60	9.00	7.50	4.70
10127720-10XXLF	10	18.60	12.00	10.50	7.70
10127720-12XXLF	12	21.60	15.00	13.50	10.70
10127720-14XXLF	14	24.60	18.00	16.50	13.70
10127720-16XXLF	16	27.60	21.00	19.50	16.70
10127720-18XXLF	18	30.60	24.00	22.50	19.70
10127720-20XXLF	20	33.60	27.00	25.50	22.70
10127720-22XXLF	22	36.60	30.00	28.50	25.70
10127720-24XXLF	24	39.60	33.00	31.50	28.70



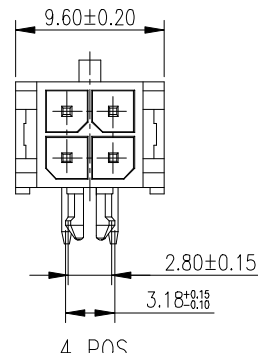
mat'l. code		surface		tolerance		projection		product family	
		✓				⊕		MINITEK PWR3.0	
ltr		ecn no		dr		date		title	
								WTB PLUG CONNECTOR, DUAL ROW	
A		TAI		2013-10-21				MINITEK PWR3.0, R/A DIP TYPE	
B		ELX-T-17184		TAI		2014-03-12			
C		ELX-T-19251		TAI		2014-10-31			
				dr		KENNY TAI		2013-10-21	
				enr		KENNY TAI		2013-10-21	
				chr		KENNY TAI		2013-10-21	
				appd		PM ZHENG		2013-11-06	
sheet index		revision sheet		C		C		dwg no	
				1		2		sheet 1 of 2	
								size	
								A4	
								type	
								CUSTOMER Drawing	

8P~24P

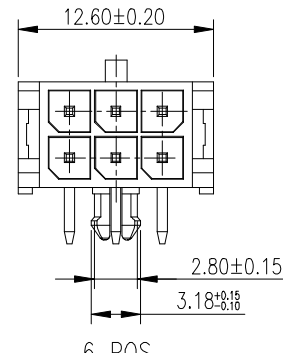




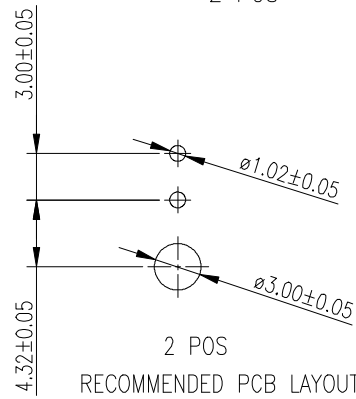
2 POS



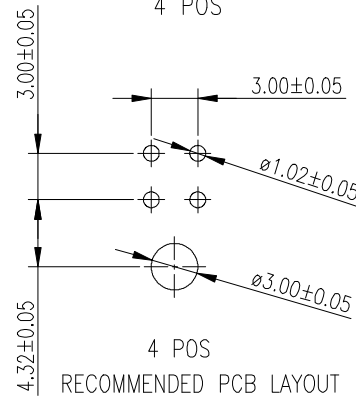
4 POS



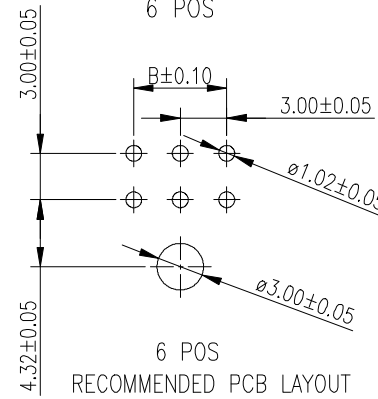
6 POS



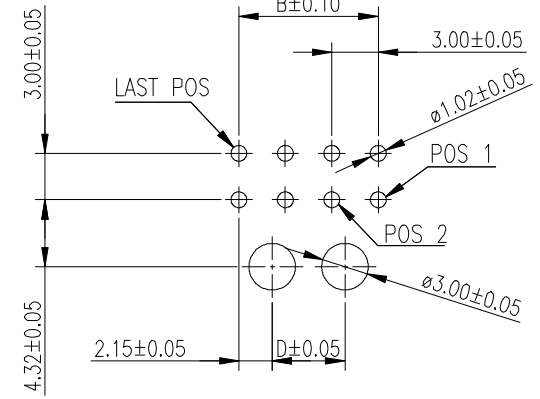
2 POS
RECOMMENDED PCB LAYOUT



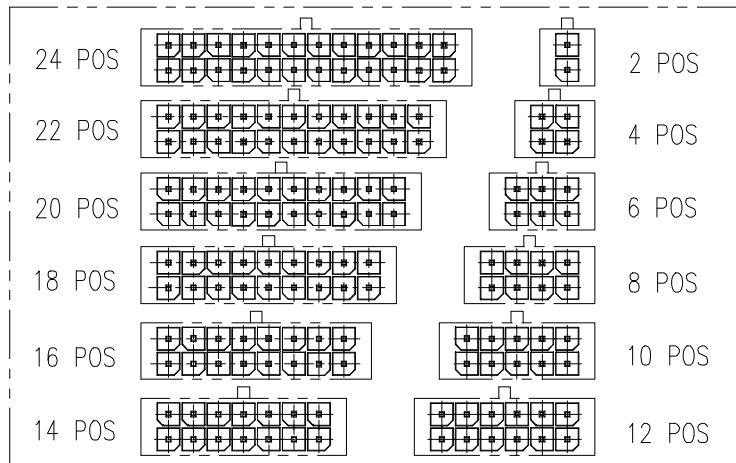
4 POS
RECOMMENDED PCB LAYOUT



6 POS
RECOMMENDED PCB LAYOUT



8~24 POS
RECOMMENDED PCB LAYOUT



DETAIL D

mat'l. code		surface <input checked="" type="checkbox"/> tolerance		projection		product family MINITEL PWR3.0	
ltr		ecn no dr date		tolerances unless otherwise specified		title	
				angles θ in ϕ X.X ±0.3 X.XX ±0.20		WTB PLUG CONNECTOR, DUAL ROW MINITEL PWR3.0, R/A DIP TYPE	
				X*2°		scale	
				dr KENNY TAI 2013-10-21		dwg no sheet 2 of 2 size	
				enr KENNY TAI 2013-10-21		10127720 A4	
				chr KENNY TAI 2013-10-21		type CUSTOMER Drawing	
				appd PM ZHENG 2013-11-06			
sheet index		revision sheet		C C			
				1 2			