

PRODUCT NO.  
73725

PRODUCT NUMBER CODE

73725-X X X X LF

HOUSING COLOR OPTION

- 0-WHITE
- 1-BLACK

SENSOR CONTACT OPTION

- 0-WITH SENSOR CONTACT
- 1-WITHOUT SENSOR CONTACT

SHIELD PLATING OPTION

- 1- 1.25µm MINIMUM NICKEL UNDERPLATE & 2.5µm MINIMUM BRIGHT TIN OVER ALL AREA. (HOLD DOWN STYLE "A")
- 2- 1.25µm MINIMUM NICKEL UNDERPLATED OVER ALL; 2.5 µm MINIMUM BRIGHT TIN PLATED ON HOLD DOWN AREA ONLY. (HOLD DOWN STYLE "B")
- 3- 1.25µm MINIMUM NICKEL UNDERPLATED OVER ALL; 2.5 µm MINIMUM BRIGHT TIN PLATED ON HOLD DOWN AREA ONLY. (HOLD DOWN STYLE "A")
- 4- 1.25µm MINIMUM NICKEL UNDERPLATED & 2.5µm MINIMUM BRIGHT TIN OVER ALL AREA. (HOLD DOWN STYLE "B")
- 5- 1.25µm MINIMUM NICKEL UNDERPLATED OVER ALL; 2.5µm MINIMUM BRIGHT TIN PLATED ON HOLD DOWN AREA ONLY. (HOLD DOWN STYLE "C")
- 6- 1.25µm MINIMUM NICKEL ONLY. (HOLD DOWN STYLE "A")
- 7- 1.25µm MINIMUM NICKEL UNDERPLATED & 2.5 µm MINIMUM MATTE TIN PLATED OVER ALL. (HOLD DOWN STYLE "A")
- 8- 1.25µm MINIMUM NICKEL UNDERPLATED & 2.5 µm MINIMUM MATTE TIN PLATED ALL AREA. (HOLD DOWN STYLE "B")
- 9- 1.25µm MINIMUM NICKEL UNDERPLATED OVER ALL; 2.5 µm MINIMUM MATTE TIN PLATED ON HOLD DOWN AREA ONLY. (HOLD DOWN STYLE "D")
- S- 1.25µm MINIMUM NICKEL ONLY; (HOLD DOWN STYLE "A"). HIGH PERFORMANCE MATERIAL FOR 12,000 DURABILITY CYCLES
- A- 1.25µm MINIMUM NICKEL PLATED OVER ALL. 2.5 µm MINIMUM MATTE TIN PLATED ON HOLD DOWN AREA ONLY. (HOLD DOWN STYLE "B")

LEAD FREE OPTION  
SEE NOTE 9

PACKAGING OPTION  
B - TUBE  
R - TAPE&REEL

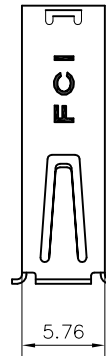
TERMINAL OPTION

50u" NI UNDERPLATE; 30u" GXT CONTACT AREA, 100u" TIN TAIL AREA;

- 0- DIM "A": 2.29 (TERMINAL TAIL LENGTH);
- 1- DIM "A": 3.71 (TERMINAL TAIL LENGTH);

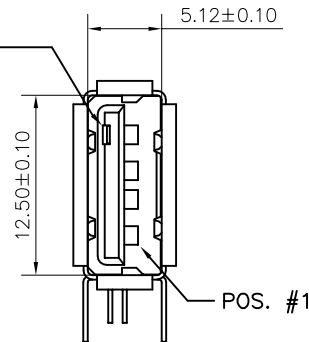
NOTES:

1. MATERIAL:  
CONTACTS: COPPER ALLOY  
SHIELD: COPPER ALLOY  
HOUSING: UL 94V-0 THERMOPLASTIC, COLOR: SEE PRODUCT CODE
2. PLATING:  
CONTACTS: GOLD FLASH OVER PALLADIUM NICKEL (0.76µm MINIMUM) IN CONTACT AREA; 2.5 µm TIN MINIMUM IN SOLDER TAIL AREA.  
1.27 µm MINIMUM NICKEL UNDERPLATE OVER ALL SURFACES.  
SHIELD: SEE PRODUCT NUMBER CODE.  
(THE PLATING MEASURE POINT ON THE SHIELD HOLD DOWN AREA ONLY).
- ③. DATUMS & BASIC DIMENSIONS TO BE DETERMINED BY CUSTOMER
4. RECOMMENDED PCB BOARD THICKNESS IS 1.00 ~ 1.60mm EXCEPT 73725-1191BLF; 73725-1191BLF CAN BE USED FOR THE PCB BOARD THICKNESS 2.30 ~ 2.65mm.
- ⑤. MAXIMUM PANEL THICKNESS TO BE 2.67mm IF MOUNTED BEHIND PANEL
6. METAL SHELL SLIVER 0.20 MAX.
7. NI PLATING DOES NOT COMPLY WITH THE USB STANDARDS (TO BE CONTINUED)

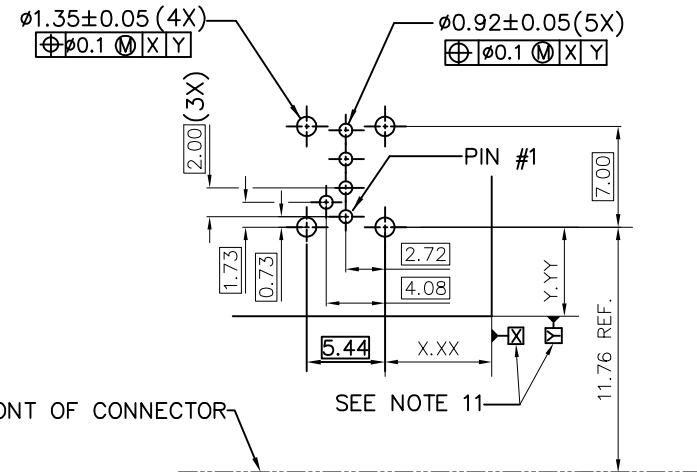


5.12±0.10

SENSOR CONTACT

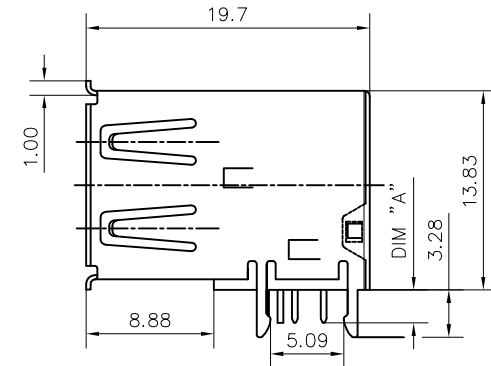


WITH SENSOR CONTACT



FRONT OF CONNECTOR

PC BOARD MOUNTING DIMENSIONS FOR 5 PIN



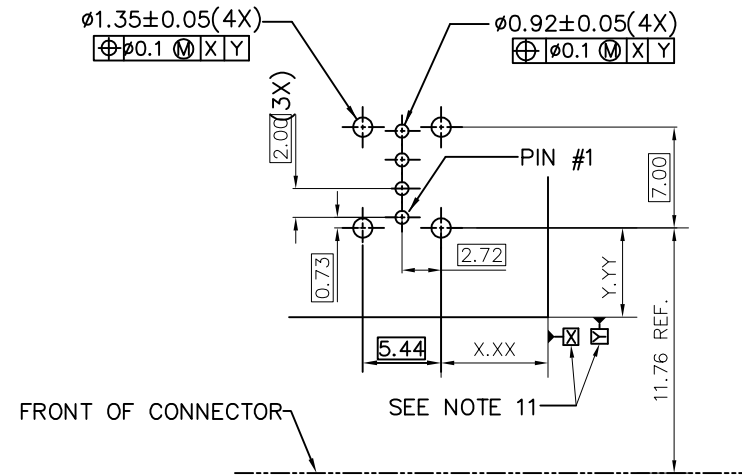
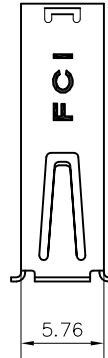
FOR 73725-X0X0B  
HOLD DOWN STYLE "A"

mat'l code		tolerance unless otherwise specified		CUSTOMER COPY		FCJ www.fcjconnect.com	
rev.	ecn no.	dr	date	linear	.0 ± .30	projection	title USB UP-RIGHT RECEPT
AB	N09-0202	R.B	2008/06/25		.00 ± .20		
AC	N10-0128	A.ZH	05/14/2010		.000± 0.10		product family USB code NT
AD	ELX-N-012004	A.ZH	06/25/2012	angles	± 2°		
AE	ELX-N-13462	A.ZH	11/14/2012	dr	PAMP	5/20/97	product family USB
AF	ELX-N-14592	J.HAN	06/10/2013	engr	R Y LIU	5/20/97	size dwg no.
AG	ELX-N-21594	LQ	08/04/2015	chr	R Y LIU	5/20/97	scale A3
				appd	JENN TSAO	5/20/97	73725
sheet	revision	AG					1 OF 4
index	sheet	1-4					

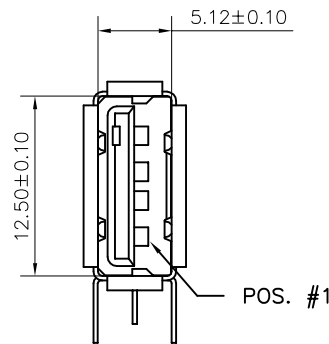
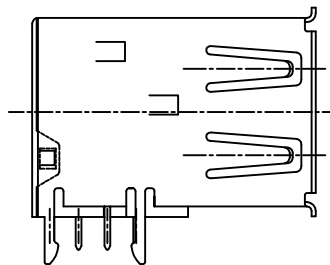
PRODUCT NO.  
73725

(CONTINUED)

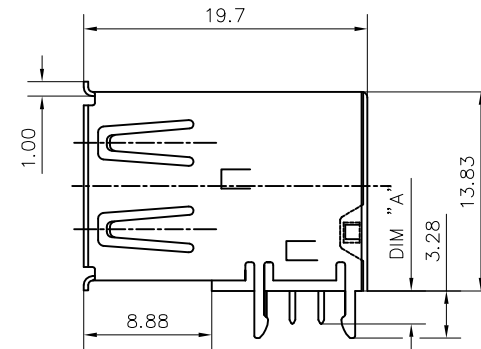
- 8. P/N'S WITH SUFFIX "LF" ARE LEAD FREE P/N'S
- 9. FOR LEAD FREE P/N, THE PRODUCT MEET EUROPEAN UNION DIRECTIVES AND OTHER COUNTRY REGULATION AS DESCRIBED IN GS-22-008
- 10. FOR THE PRODUCTS WITH THE METAL SHELL PLATING NICKEL AND MATTE SN CAN WITHSTAND EXPOSURE TO 260°C PEAK TEMPERATURE FOR 40 SECONDS IN A CONVECTION, INFRA-RED OR VAPOR PHASE REFLOW PROCESS; FOR THE PRODUCTS WITH METAL SHELL PLATING BRIGHT SN OR SEMI-BRIGHT SN CAN'T WITHSTAND REFLOW AND JUST CAN WITHSTAND EXPOSURE TO 260°C PEAK TEMPERATURE FOR 10 SECONDS IN WAVE SOLDERING PROCESS.
- 11. FOR ALL LEAD FREE P/N'S, WITH SUFFIX LF.
- 12. THE PRODUCT CAN BE USED FOR PIP PROCESS
- 13. DATUM OF CUSTOMER'S PCB LAYOUT.



PC BOARD MOUNTING DIMENSIONS FOR 4 PIN



WITHOUT SENSOR CONTACT



FOR 73725-X1X0B

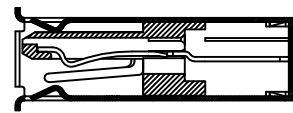
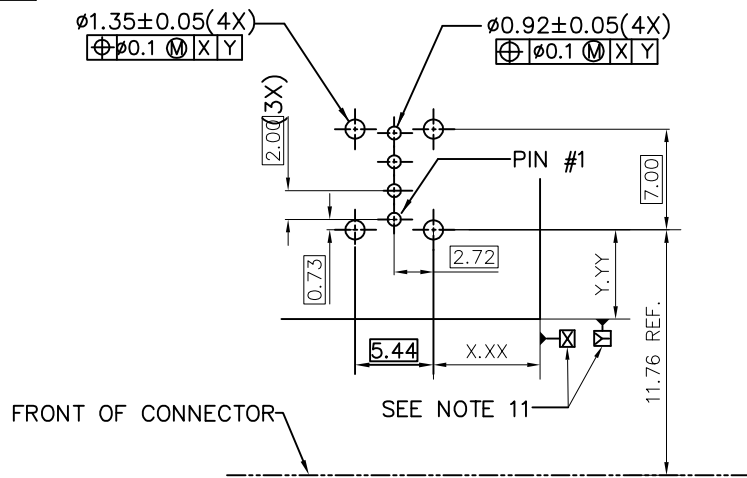


Copyright FCI.

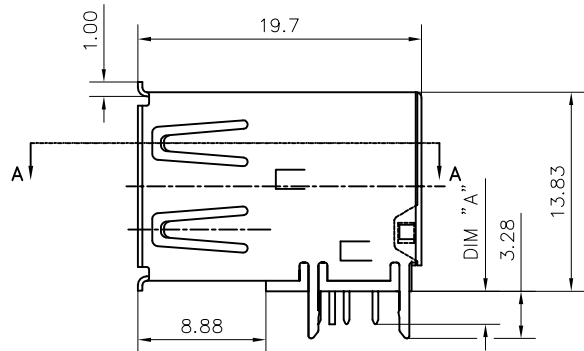
mat'l code		tolerance unless otherwise specified		CUSTOMER COPY		FCI www.fciconnect.com	
rev.	ecn no.	dr	date	linear	.0 ± .30 .00 ± .20 .000 ± 0.10	projection	title USB UP-RIGHT RECEPT
AG							
				angles	± 2'	unit mm	product family USB
				dr	PETER PAM 9/4/97		
				enr	R Y LIU 9/4/97	scale	size A3
				chr	R Y LIU 9/4/97		dwg no. 73725
				appd	JENN TSAO 9/4/97		code NT
							sheet 2 OF 4
sheet revision							
index	sheet						

PRODUCT NO.

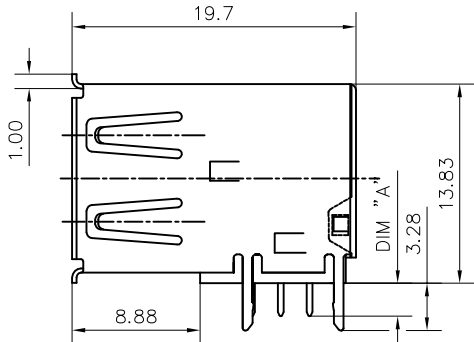
73725



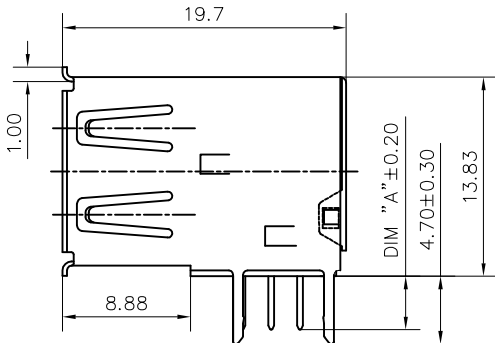
SECTION A-A



WITH SENSOR CONTACT  
FOR 73725-X0X0B  
HOLD DOWN STYLE "B"



WITHOUT SENSOR CONTACT  
FOR 73725-X1X0B  
HOLD DOWN STYLE "B"



WITHOUT SENSOR CONTACT  
FOR 73725-X191XLF  
HOLD DOWN STYLE "D"

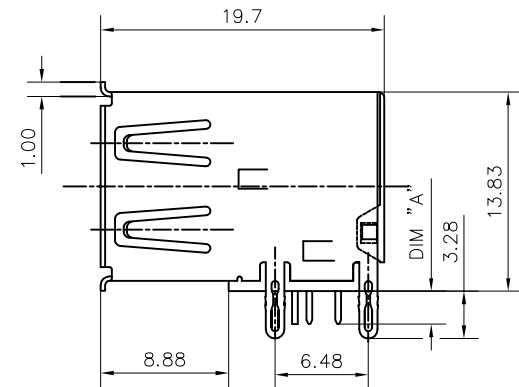
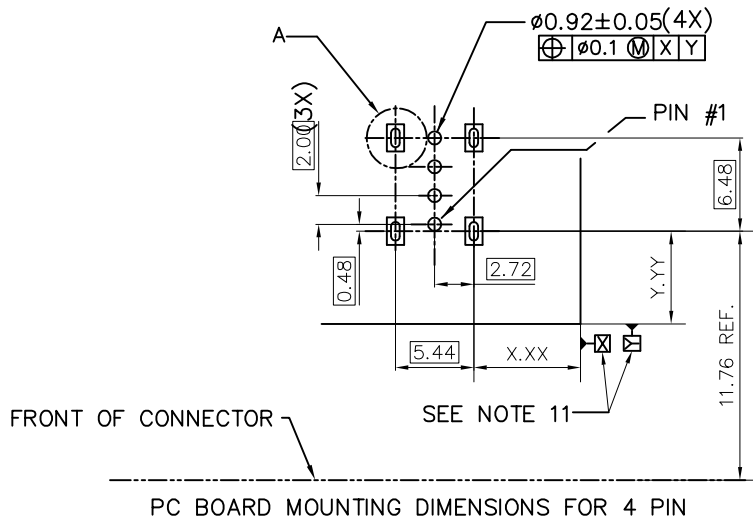
PC BOARD MOUNTING DIMENSIONS FOR 4 PIN



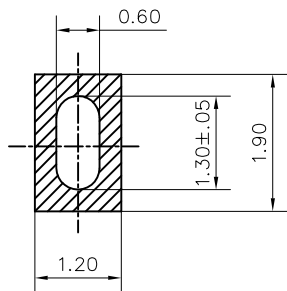
Copyright FCI.

mat'l code		tolerance unless otherwise specified		CUSTOMER COPY		www.falconconnect.com	
rev.	ecn no.	dr	date	linear	.0 ± .30 .00 ± .20 .000 ± 0.10	projection	title USB UP-RIGHT RECEPT
AG							
				angles	± 2'		product family USB
dr	PETER	5/20/97	unit	mm	code		
enr	JOHN WEN	5/20/97	size	mm	dwg no.	73725	sheet 3 OF 4
chr	JOHN WEN	5/20/97	scale	A3			
appd	JENN TSAO	5/20/97					
sheet	revision						
index	sheet						

PRODUCT NO.  
73725



WITHOUT SENSOR CONTACT  
FOR 73725-X1X0B  
HOLD DOWN STYLE "C"



DETAIL A 5 : 1



Copyright FCI.

mat'l code		tolerance unless otherwise specified		CUSTOMER COPY		www.fciconnect.com		
rev.	ecn no.	dr	date	linear	.0 ± .30	projection	title USB UP-RIGHT RECEPT	
AG					.00 ± .20			
					.000± 0.10			
				angles	± 2°		product family USB size dwg no. A3 73725 code NT sheet 4 OF 4	
		dr	PETER	01/12/99	unit			mm
		enr	R Y LIU	01/12/99	size			mm
		chr	R Y LIU	01/12/99	scale			
		appd	JENN TSAO	01/12/99				
sheet	revision							
index	sheet							