

4

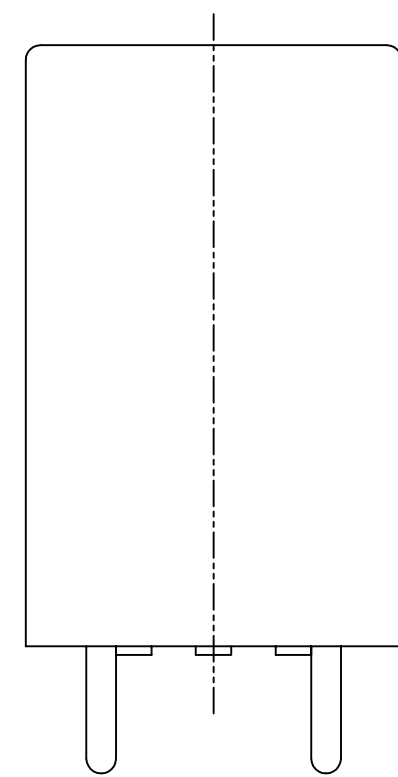
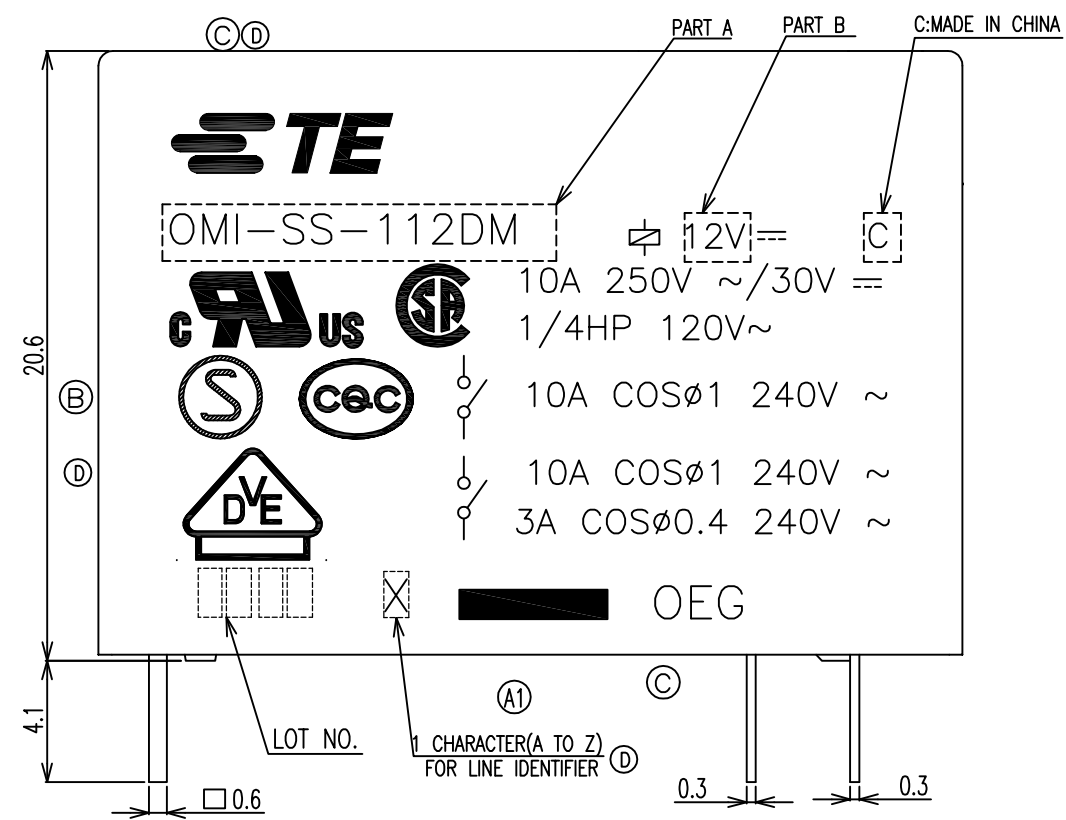
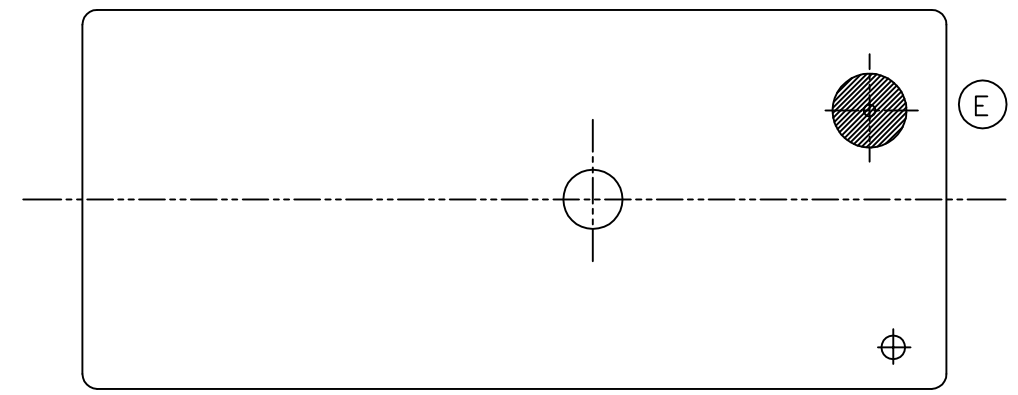
3

2

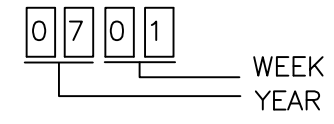
1

THIS DRAWING IS UNPUBLISHED. RELEASED FOR PUBLICATION
 © COPYRIGHT - By - ALL RIGHTS RESERVED.

LOC	DIST	REVISIONS					
		P	LTR	DESCRIPTION	DATE	DWN	APVD
HB	-		D	CHANGE LOGO, VENT HOLE; ADD CQC, LINE IDENTIFIER AND PLATING THICKNESS ECO-12-005725	21-AUG-12	D.L	BH.Y
			E	CHANGE THE VENT HOLE SHAPE FROM RECTANGLE TO CIRCLE ONE ECO-13-015347	16-DEC-13	XL,Y	B,F



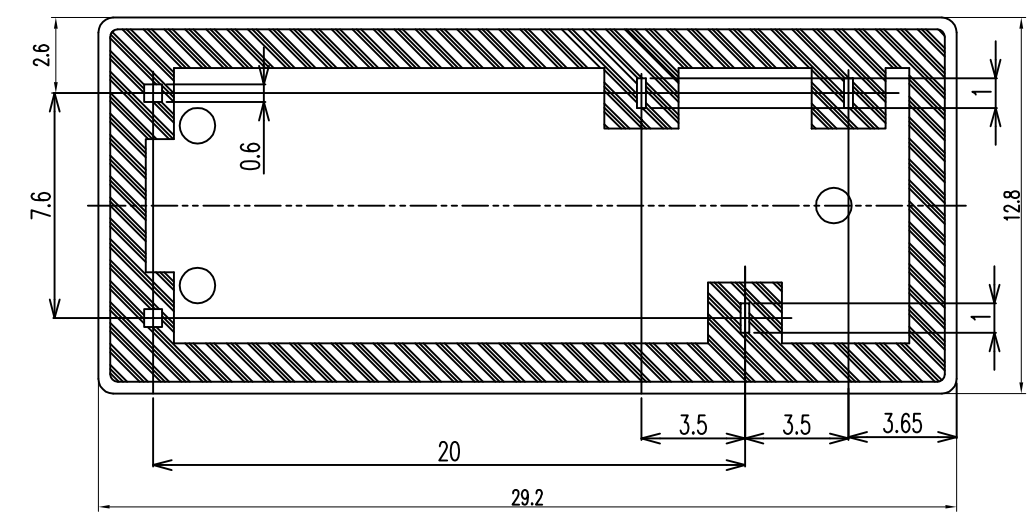
NOTES:
 1. -SS- : PLASTIC SEALD TYPE
 2. LOT NO. SYSTEM AS FOLLOWING:



3. GENERAL TOLERANCE AS FOLLOWING:

TOLERANCE	
0~0.99mm	±0.1
1mm~2.99mm	±0.2
3mmMIN.	±0.3

④ 4. TERMINAL DIMENSION IS NOT INCLUDING SOLDER TIP.
 FOR THE TIN-PLATING OF THE PINS:
 +0.1mm FOR WIDTH, THICKNESS AND DIAMETER.
 +0.5mm FOR LENGTH.



THIS DRAWING IS A CONTROLLED DOCUMENT.		DWN H.SASAKI			
DIMENSIONS: mm		CHK Y.OIKAWA			
TOLERANCES UNLESS OTHERWISE SPECIFIED:		APVD A.NAGAI		NAME	
0 PLC ± -		PRODUCT SPEC		OMI-SS-D/LM CUSTOMER DRAWING	
1 PLC ± -		APPLICATION SPEC		SIZE	
2 PLC ± -		WEIGHT		CAGE CODE	
3 PLC ± -		CUSTOMER DRAWING		DRAWING NO	
4 PLC ± -		SCALE 4:1		RESTRICTED TO	
ANGLES ± -		SHEET 1 of 2		REV E	
FINISH		A3 00779		C-8-1419144-1	

4

3

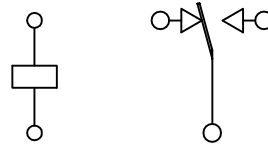
2

1

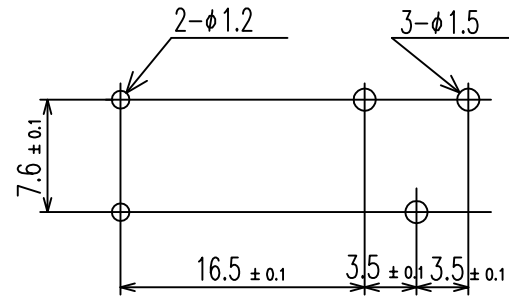
THIS DRAWING IS UNPUBLISHED. RELEASED FOR PUBLICATION
 © COPYRIGHT - By - ALL RIGHTS RESERVED.

LOC	DIST	REVISIONS				
P	LTR	DESCRIPTION	DATE	DWN	APVD	
HB	-					

CONNECTION DIAGRAM (BOTTOM VIEW)



DRILLING DIAGRAM(2/1) (BOTTOM VIEW)



(A1)	6-1419122-6	OMI-SS-148LM	48V	OMI-SS-148LM	(Q1)
(A1)	6-1419122-2	OMI-SS-124LM	24V	OMI-SS-124LM	(Q1)
(A1)	5-1419122-9	OMI-SS-124DM	24V	OMI-SS-124DM	(Q1)
	5-1419122-6	OMI-SS-112LM	12V	OMI-SS-112LM	(Q1)
	5-1419122-2	OMI-SS-112DM	12V	OMI-SS-112DM	(Q1)
	4-1419122-9	OMI-SS-106LM	6V	OMI-SS-106LM	(Q1)
	4-1419122-7	OMI-SS-105LM	5V	OMI-SS-105LM	(Q1)
	8-1419144-1	OMI-SS-105DM	5V	OMI-SS-105DM	(Q1)
	PART NO	TE TYPE NAME	PART B	PART A	

RELAY TYPE

INCOMBUSTIBILITY	TREATMENT	MATERIAL	DESCRIPTION	ITEM
		EPOXY RESIN	RESIN	17
		PBT	CASE	16
		-	TAPE	15
		UEW	MAGNETIC WIRE	14
		PET	BASE	13
		PBT	BOBBIN	12
	SOLDER DIP	CP WIRE	COIL TERMINAL	11
		PPS	CARD	10
		Ag ALLOY	MOVABLE CONTACT	9
		Ag ALLOY	STATIONARY CONTACT	8
		Cu ALLOY	HINGE SPRING	7
	SOLDER DIP	Cu ALLOY	B TERMINAL	6
	SOLDER DIP	Cu ALLOY	M TERMINAL	5
	SOLDER DIP	Cu ALLOY	MOVABLE SPRING	4
		STEEL	CORE	3
		STEEL	ARMATURE	2
		STEEL	YOKE	1

THIS DRAWING IS A CONTROLLED DOCUMENT.		DWN H.SASAKI	TE Connectivity OMI-SS-D/LM CUSTOMER DRAWING			
DIMENSIONS: mm		CHK Y.OIKAWA				NAME
TOLERANCES UNLESS OTHERWISE SPECIFIED:		APVD A.NAGAI				PRODUCT SPEC
0 PLC ± - 1 PLC ± - 2 PLC ± - 3 PLC ± - 4 PLC ± - ANGLES ± -		APPLICATION SPEC				RESTRICTED TO
MATERIAL		WEIGHT	SIZE A3	CAGE CODE 00779	DRAWING NO C-8-1419144-1	
CUSTOMER DRAWING			SCALE 4:1	SHEET 2 of 2	REV E	