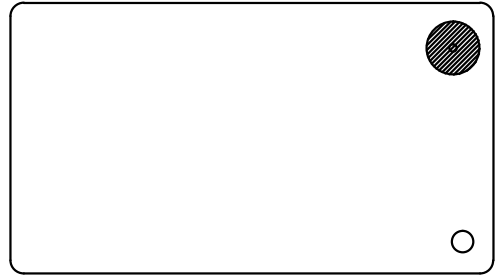


THIS DRAWING IS UNPUBLISHED. RELEASED FOR PUBLICATION
 © COPYRIGHT - By - TE CONNECTIVITY ALL RIGHTS RESERVED.

LOC	DIST	REVISIONS			
P	LTR	DESCRIPTION	DATE	DWN	APVD
HB	-				
E		REMOVED THE RIB ON THE BASE TO CASE ECO-15-011310	08DEC2015	YS.H	CHL

D

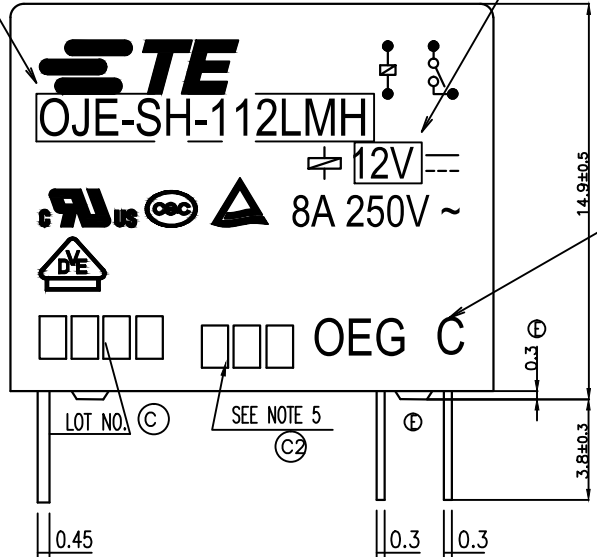
D



(B1)

PART B

PART A



(C2)

(D)

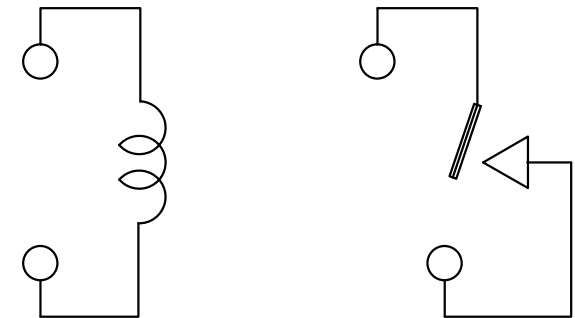
C:MADE IN CHINA

LOT NO. (C)

SEE NOTE 5 (C2)

C

C



CONNECTION FIGURE

B

B

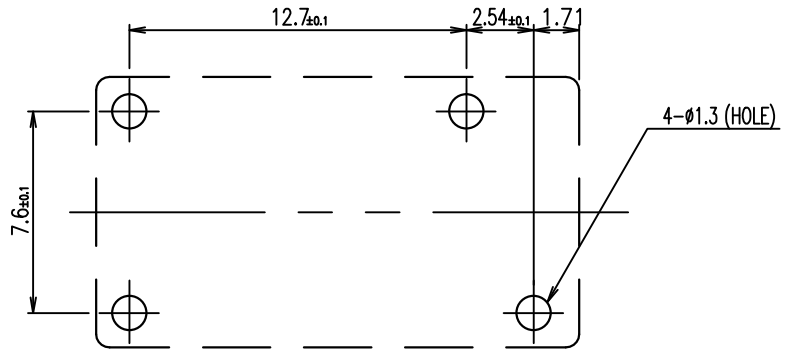
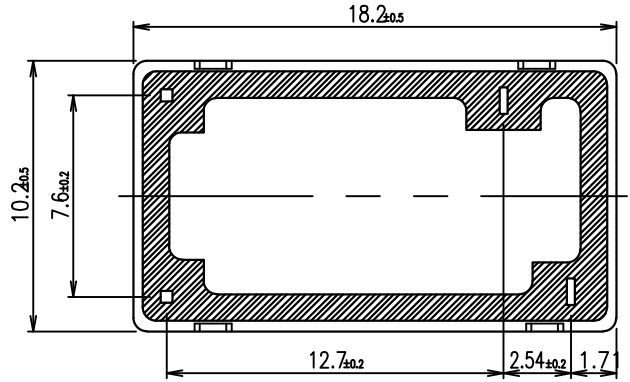


FIGURE FOR PRINTED CIRCUIT BOARD PROCESSING (BOTTOM VIEW)

A

A



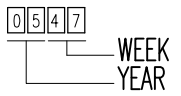
THIS DRAWING IS A CONTROLLED DOCUMENT.		DWN	H.Sasaki	-	TE TE Connectivity			
DIMENSIONS: mm		CHK	Y.Oikawa	-				
TOLERANCES UNLESS OTHERWISE SPECIFIED:		APVD	A.Nagai	-	NAME			
0 PLC	± -	PRODUCT SPEC	-	-	OJ-SH-LMH SPEC 000			
1 PLC	± -	APPLICATION SPEC	-	-	SIZE	CAGE CODE	DRAWING NO	RESTRICTED TO
2 PLC	± -				A3	00779	1461247	-
3 PLC	± -				CUSTOMER DRAWING			SCALE
4 PLC	± -							5:1
ANGLES	± -							SHEET
MATERIAL	-	FINISH	-					1 OF 2
								REV
								E

THIS DRAWING IS UNPUBLISHED. RELEASED FOR PUBLICATION - , - .
 © COPYRIGHT - By - TE CONNECTIVITY ALL RIGHTS RESERVED.

LOC	DIST	REVISIONS					
HB	-	P	LTR	DESCRIPTION	DATE	DWN	APVD
		-		SEE SHEET 1	-	-	-

(B1)	1461247-3	OJ-SH-124LMH, 000	107-79010	24V	OJ-SH-124LMH	g
	1419129-1	OJ-SH-118LMH, 000	107-79010	18V	OJ-SH-118LMH	f
	9-1419128-8	OJ-SH-112LMH, 000	107-79010	12V	OJ-SH-112LMH	e
	1461247-2	OJ-SH-109LMH, 000	107-79010	9V	OJ-SH-109LMH	d
	1461247-1	OJ-SH-106LMH, 000	107-79010	6V	OJ-SH-106LMH	c
	8-1419128-1	OJ-SH-105LMH, 000	107-79010	5V	OJ-SH-105LMH	b
(C2)	1461247-4	OJ-SH-103LMH, 000	107-79010	3V	OJ-SH-103LMH	a
	PART NO	DESCRIPTION	PACKAGE SPEC.	PART B	PART A	TYPE

RELAY TYPE

NOTES:
 (C1)(B1) 1.LOT NO. SYSTEM AS FOLLOWING:


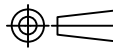
(C2) 2.TERMINAL DIMENSION IS BEFORE SOLDER DIP;
 (C2) 3.FOR THE TIN-PLATING OF THE PINS:
 +0.1mm FOR WIDTH,THICKENSS AND DIAMETER.
 +0.5mm FOR LENGTH.

(D)(C2) 4.MARKING FROM INK TO LASER AND USING WELDED CONTACT

(C2) 5.ADD LOT NO. SYSTEM AS FOLLOWING;
 I, DIGITS FOR DAY OF THE WEEK
 1...MONDAY IN THIS WEEK;
 2...TUESDAY IN THIS WEEK;

 7...SUNDAY IN THIS WEEK
 II, DIGITS FOR SHIFT OF THE DAY
 1...DAY SHIFT IN THIS DAY;
 2...NIGHT SHIFT IN THIS DAY;
 III, ONE CHARACTER DISTINGUISH THE LINE
 IDENTITY,
 SUCH AS: A,B.....Z

		UV RESIN	SEAL (VENT HOLE)	16
		EPOXY RESIN	SEAL (BASE & BOBBIN)	15
		JUEW	MAGNETIC WIRE	14
94V-0		P.B.T	CASE	13
94V-0		P.B.T	BASE	12
94V-0		P.B.T	BOBBIN	11
	SOLDER DIP	C.P WIRE	COIL TERMINAL	10
94V-0		P.P.S	CARD	9
		Ag ALLOY	MOVABLE CONTACT	8
		Ag ALLOY	NO.CONTACT	7
		STEEL	HINGE SPRING	6
	SOLDER DIP	Cu ALLOY	NO.TERMINAL	5
	SOLDER DIP	Cu ALLOY	MOVABLE SPRING	4
	NIP	STEEL	CORE	3
	NIP	STEEL	ARMATURE	2
	NIP	STEEL	YOKE	1
INCOMBUSTIBILITY	TREATMENT	MATERIAL	DESCRIPTION	ITEM

THIS DRAWING IS A CONTROLLED DOCUMENT.		DWN	H.Sasaki	-
DIMENSIONS: mm		CHK	Y.Oikawa	-
TOLERANCES UNLESS OTHERWISE SPECIFIED:		APVD	A.Nagai	-
	0 PLC	± -	NAME	
	1 PLC	± -	-	
	2 PLC	± -	OJ-SH-LMH SPEC 000	
	3 PLC	± -	-	
	4 PLC	± -	-	
MATERIAL		PRODUCT SPEC	-	
FINISH		APPLICATION SPEC	-	
-		WEIGHT	-	
-		CUSTOMER DRAWING		RESTRICTED TO
		SIZE	A3	
		CAGE CODE	00779	
		DRAWING NO	1461247	
		SCALE	5:1	
		SHEET	2 OF 2	
		REV	E	