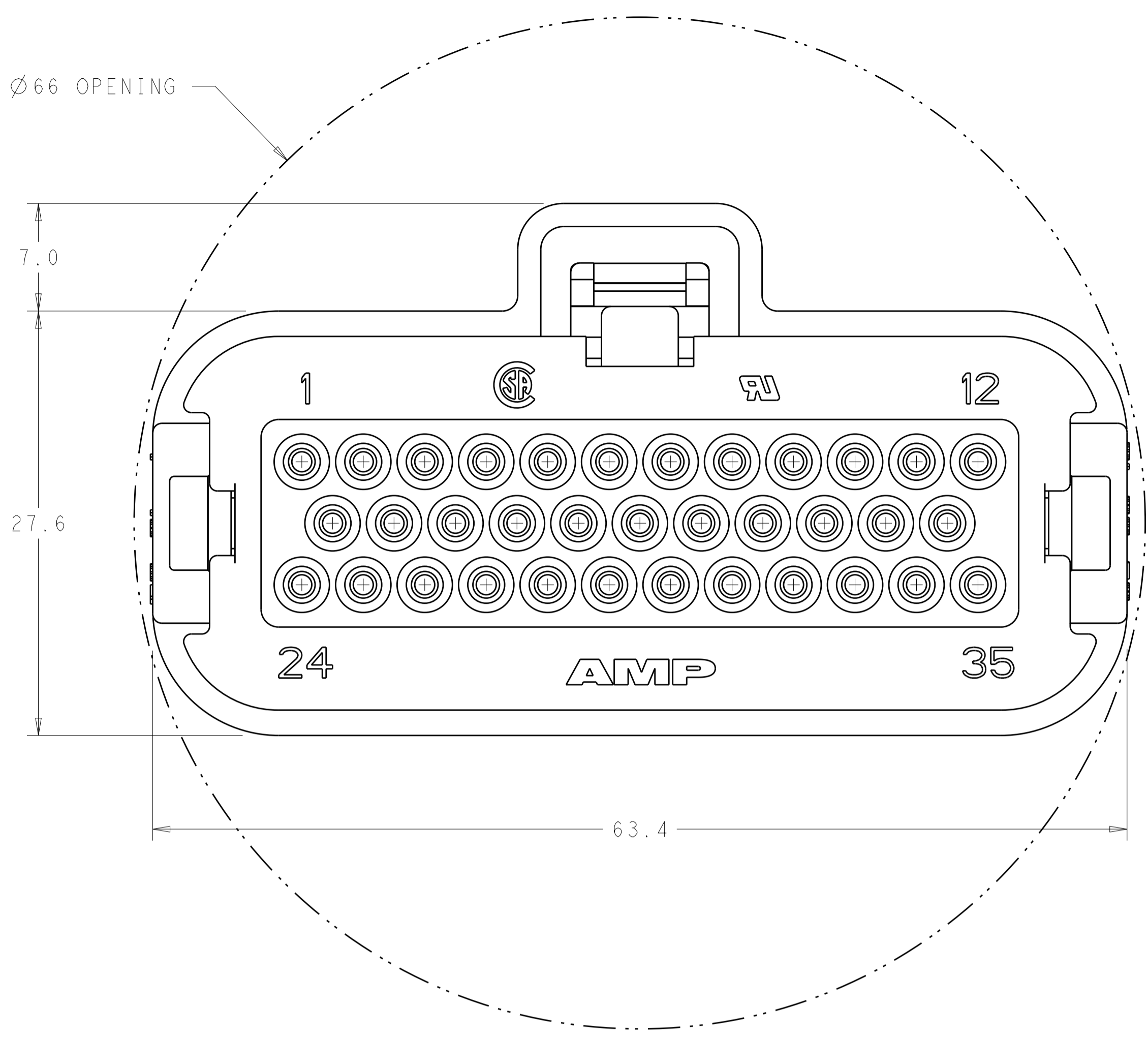
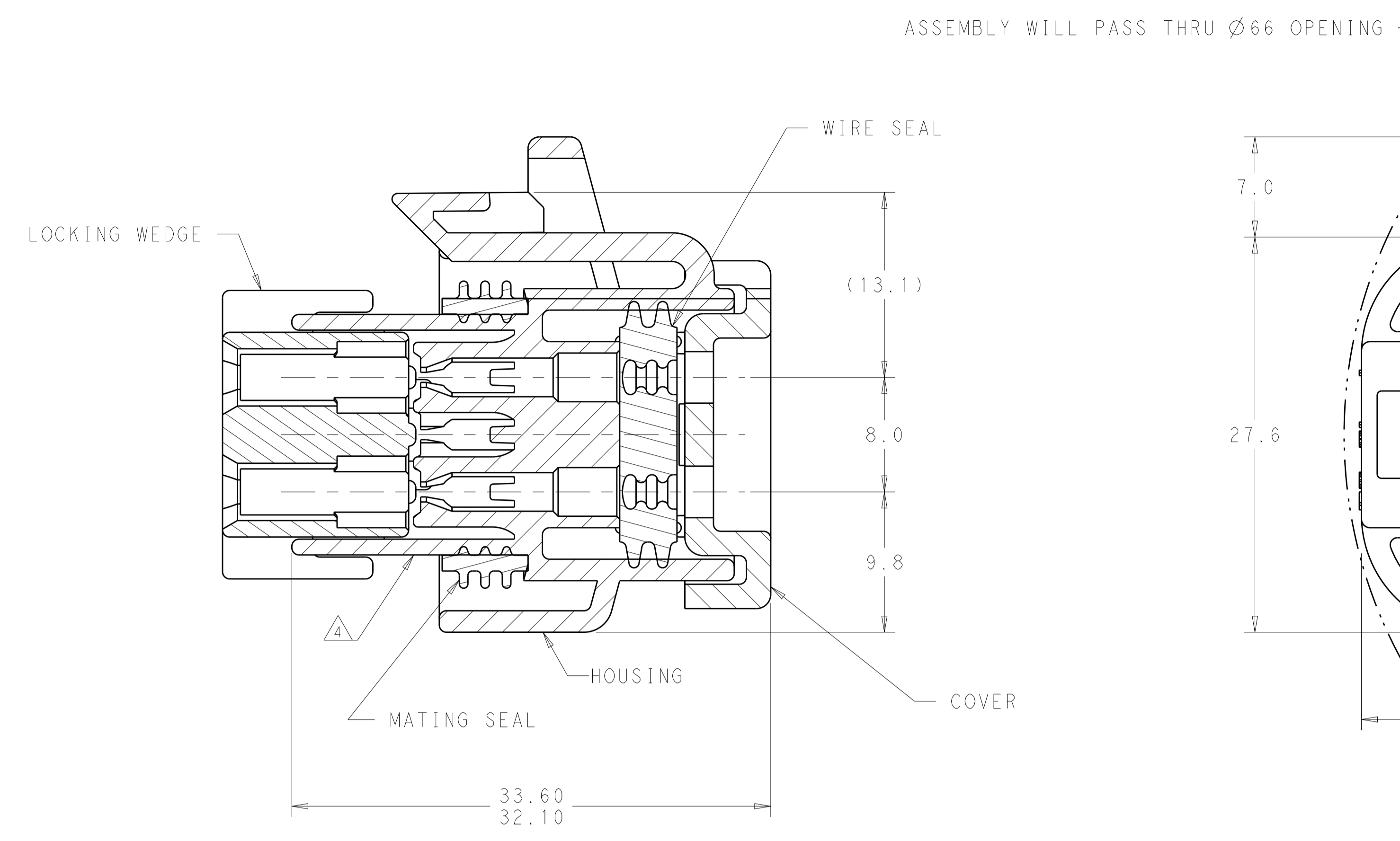
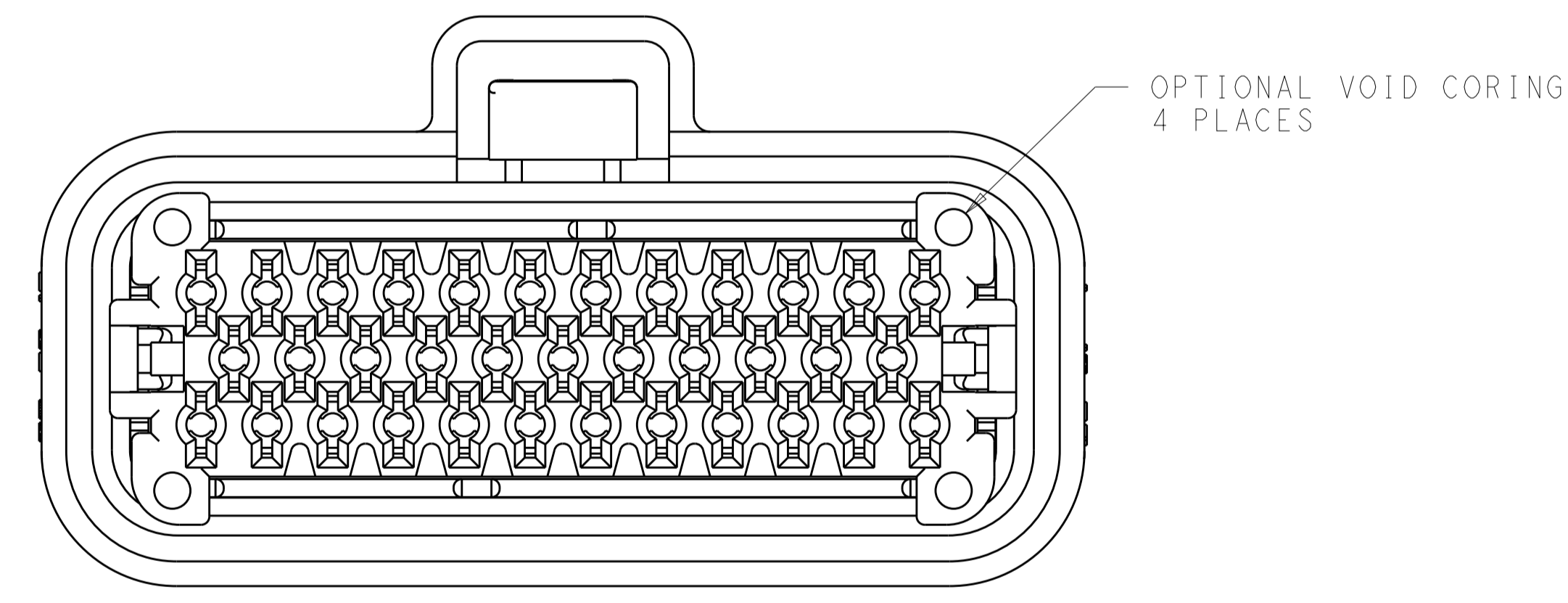


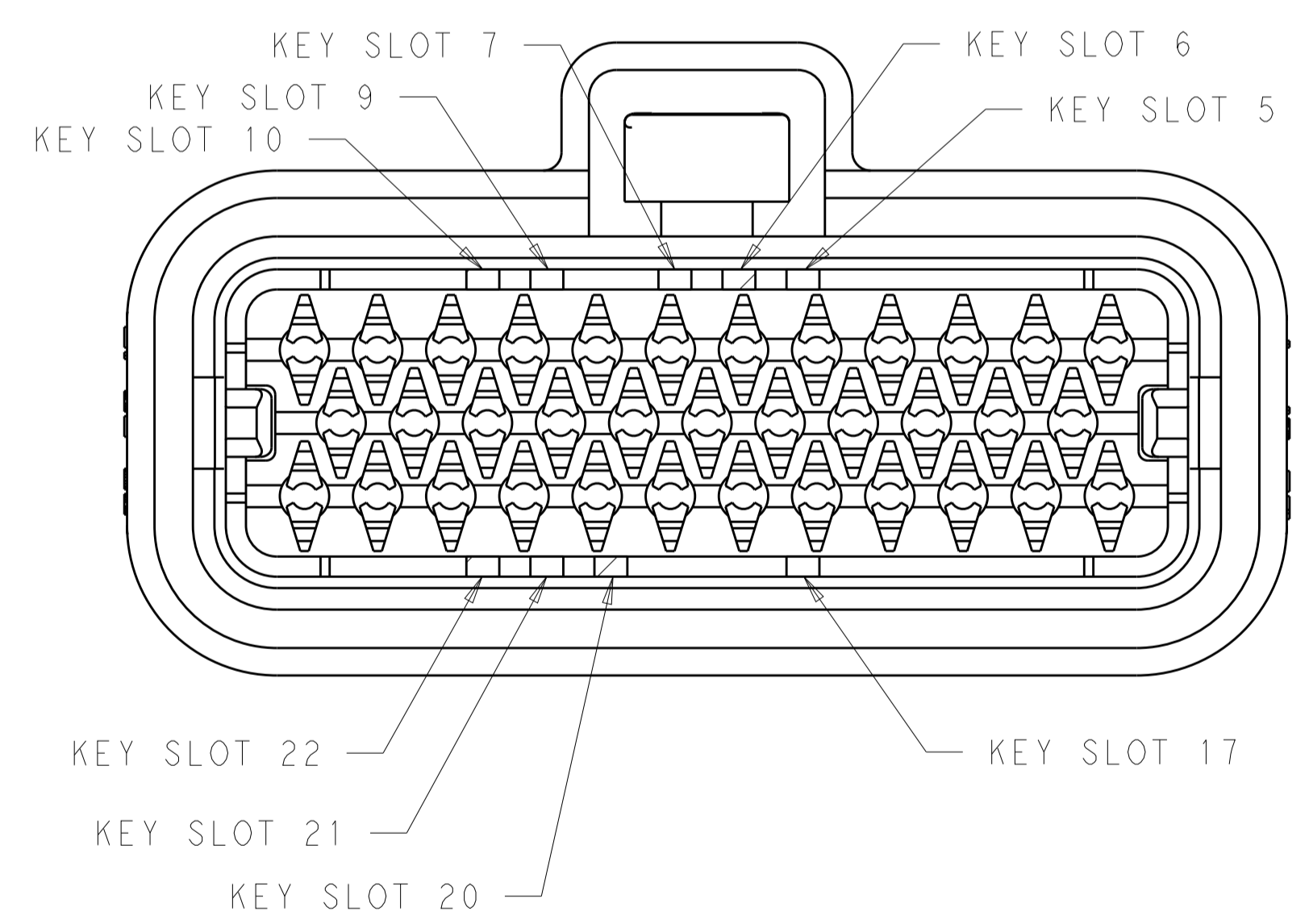
LOC	DIST	REVISIONS					
HK	00	P.	LTN	DESCRIPTION	DATE	OWN	APPR
		E1		REVISED PER ECO-11-011612	03JUN2011	DLD	DLD
		E2		REVISED PER ECO-11-013055	23JUN2011	DLD	DCS
		F		REVISED PER ECO-12-007864	24APR2012	DLD	DCS
		G		REVISED PER ECO-13-001003	17JAN2013	DLD	DCS



- ⚠ HOUSING COLORS ARE MECHANICALLY KEYPED TO MATE WITH IDENTICALLY COLORED HEADER ASSEMBLIES.
- 2. PLUG MATES TO THE FOLLOWING:
 RIGHT ANGLE HEADER - 776180, 776163
 VERTICAL HEADER - 776230, 776231
- 3. PLUG USES REELED TERMINAL 770520 OR LOOSE PIECE TERMINAL 770854.
- ⚠ DATE CODE ON THIS SURFACE. USES 5 DIGIT CODE:
 FIRST 2 DIGITS = YEAR, SECOND 2 DIGITS = WEEK, LAST DIGIT = DAY.



BOTTOM VIEW WITH LOCKING WEDGE
SCALE 3:1



KEY SLOT LOCATIONS
SCALE 3:1

7 & 22	776164-6
5, 10 & 22	776164-5
9 & 21	776164-4
7 & 17	776164-2
6 & 20	776164-1
KEY SLOT LOCATION (SEE VIEW ABOVE)	PART NUMBER

GLASS FILLED PBT, BLACK	SILICONE RUBBER, RED	SILICONE RUBBER, RED	PBT, RED	PBT, ORANGE	776164-6
				PBT, BLUE	776164-5
				PBT, GRAY	776164-4
				PBT, NATURAL	776164-2
				PBT, BLACK	776164-1
COVER	WIRE SEAL	MATING SEAL	LOCKING WEDGE	HOUSING	PART NUMBER

THIS DRAWING IS A CONTROLLED DOCUMENT. DWN: R. VESTAL 08SEP2009
 CHK: D. STRAUSSER 08SEP2009
 APPR: D. STRAUSSER 08SEP2009

DIMENSIONS: mm
 TOLERANCES UNLESS OTHERWISE SPECIFIED:
 0 PLC ±
 1 PLC ±0.2
 2 PLC ±
 3 PLC ±
 4 PLC ±
 ANGLES ±

MATERIAL: SEE TABLE
 FINISH: SEE TABLE

PRODUCT SPEC: 108-1329
 APPLICATION SPEC: 114-16016
 WEIGHT: -

CUSTOMER DRAWING

SCALE: 4:1 SHEET: 1 OF 1

STEREOTYPED NOT the LATEST REVISION