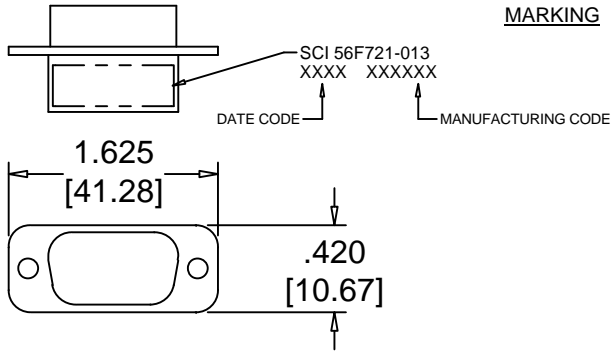
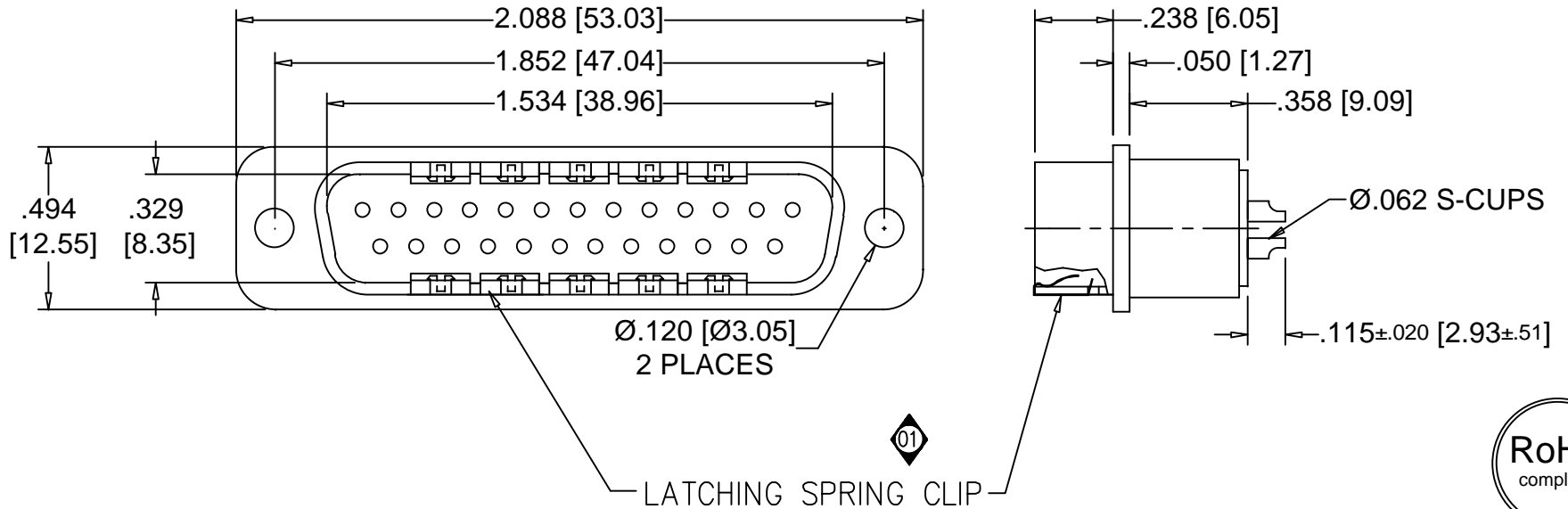
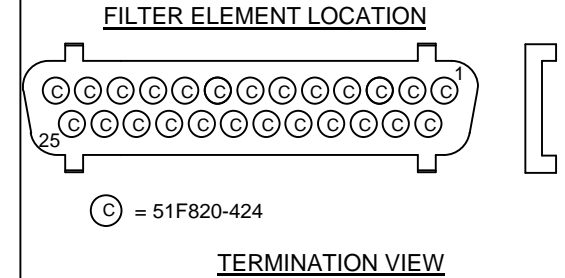


CONN SIZE	FILTER DESIGNATION	FILTER CIRCUITS	CAPACITANCE		3 dB MAX CUTOFF FREQ (MHz)	DIELECTRIC WITHSTANDING VOLTAGE	CONTACT RATING	CONTACT RESIST	WORKING VOLTAGE DC -55°C TO +125°C	MINIMUM INSERTION LOSS-DECIBELS (dB)							
			VALUE	TOLERANCE						5 MHz	10 MHz	20 MHz	50 MHz	100 MHz	200 MHz	500 MHz	1 GHz
25	C	Pi	1,000pF 2,000pF	MIN. MAX.	3.2	300V	5A	.010 OHM MAX	100V	---	5	9	19	30	43	62	70



- NOTES:**
1. SHELL: NICKEL PLATED RoHS COMPLIANT MATERIAL
  2. INSULATORS: UL94V-0
  3. CONTACTS: COPPER ALLOY: .000015 GOLD IN PIN CONTACT MATING AREAS
  4. RADIO FREQUENCY GROUND CONTACT FROM THE CONNECTOR SHELL TO THE MATING CONNECTOR IS ASSURED BY A COAXIAL SPRING CLIP
  5. NO CAPACITOR SUBSTITUTION ALLOWED



THIS DRAWING CONTAIN PROPRIETARY INFORMATION. SPECTRUM CONTROL RESERVES ALL RIGHTS. THIS DOCUMENT SHALL NOT BE REPRODUCED IN WHOLE OR IN PART FOR ANY PURPOSE.

CN 56724-ENG	01	REV. NO.	UNLESS OTHERWISE SPECIFIED DIMENSIONS ARE IN INCHES [ MILLIMETERS ] DO NOT SCALE	TOLERANCES UNLESS OTHERWISE SPECIFIED		<b>FAIRVIEW PENNSYLVANIA</b> Description PIN TO SC 25L FILTERED CONNECTOR
CN 25902-CPD	00			Dec. .x ±		
		CHANGE NOTICE NO.	THIRD ANGLE PROJECTION	Dec. .xx ±	Date 11-23-10	<b>56F721-013</b>
				Dec. .xxx ± .015 [.38]	Engr. T. TAYLOR	
				Angles ±	Sheet 1 of 1	
				CODE IDENT. NO. 0LSP2		

Quality Products From The Specialists In Electro-Magnetic Compatibility