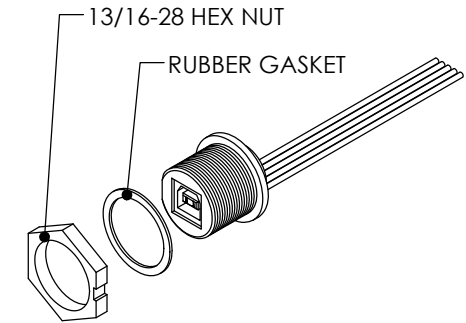
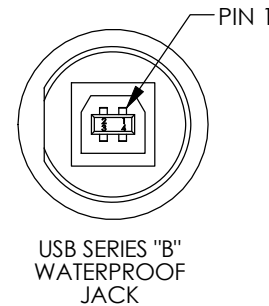
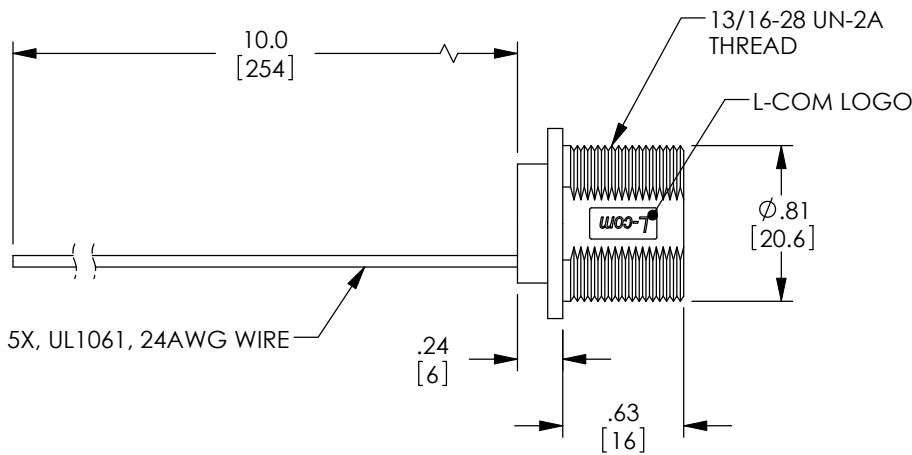
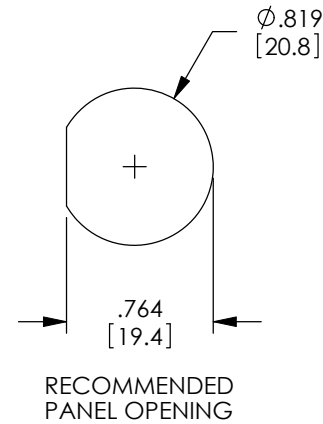
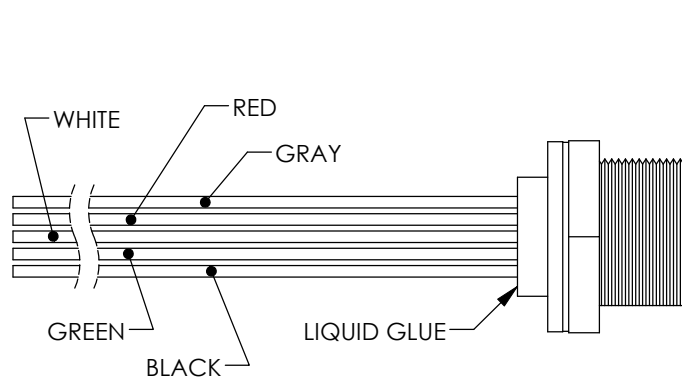


THE INFORMATION CONTAINED IN THIS DRAWING IS THE SOLE PROPERTY OF L-COM, INC. ANY REPRODUCTION IN PART OR WHOLE WITHOUT THE WRITTEN PERMISSION OF L-COM, INC. IS PROHIBITED.

REVISIONS			
REV	DESCRIPTION	DATE	APPROVED
A	INITIAL RELEASE	11/22/05	J. KIEZULAS
B	ECN 3958: REVISE DRAWING AND FORMAT	4/27/09	D.FRISIELLO
C	ECN 4304: REVISED PACKAGING NOTE FOR PS-0031	10/2/09	D.FRISIELLO

WIRING MAP	
PIN #	COLOR
1	RED
2	WHITE
3	GREEN
4	BLACK
SHELL	GRAY



RoHS Compliant ✓

NOTES:

COMPONENT ASSEMBLY SHALL BE TESTED FOR CONTINUITY.

COMPONENT ASSEMBLY SHALL BE INDIVIDUALLY PACKAGED IN ACCORDANCE WITH L-COM SPECIFICATION PS-0031.

APPLICATION: WATERPROOF TO IP66, IP67

UNLESS OTHERWISE SPECIFIED, DIMENSIONS ARE IN INCHES [mm] OVERALL CABLE LENGTH TOLERANCE: ≤12 [305] = +1 [25] / -0 >12 [305] ≤60 [1524] = +2 [51] / -0 >60 [1524] ≤120 [3048] = +4 [102] / -0 >120 [3048] ≤300 [7620] = +6 [152] / -0 >300 [7620] = +3% / -0%	APPROVALS	DATE		45 BEECHWOOD DRIVE NORTH ANDOVER, MA 01845
	DRAWN BY J. KIEZULAS	10/31/2005		CATEGORY
ALL OTHER DIMENSIONAL TOLERANCES: .X = ±.2 .XX = ±.02 .XXX = ±.005	CHECKED BY M. LAHEY	10/31/2005	PRODUCT DESCRIPTION	
PROJECTION 	APPROVED BY R. CARRICK	10/31/2005	USB WATERPROOF SERIES "B" BULKHEAD TO BLUNT END	
	CONFIGURATION DETAILS OF UNDIMENSIONED FEATURES MAY VARY		SIZE A	FSCM NO. 43321
	COLOR VARIATIONS MAY OCCUR		DWG. NO. WPUSBBF	REV. C
			SCALE: NONE	CAD FILE: WPUSBBF.SLDDRW
				SHEET 1 OF 1