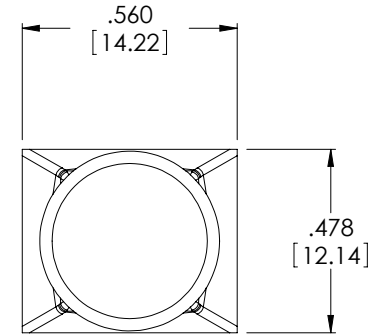
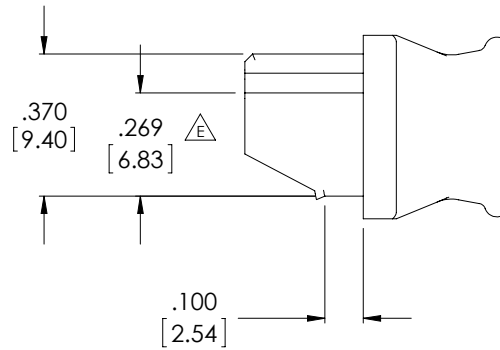
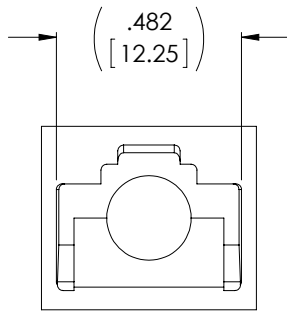
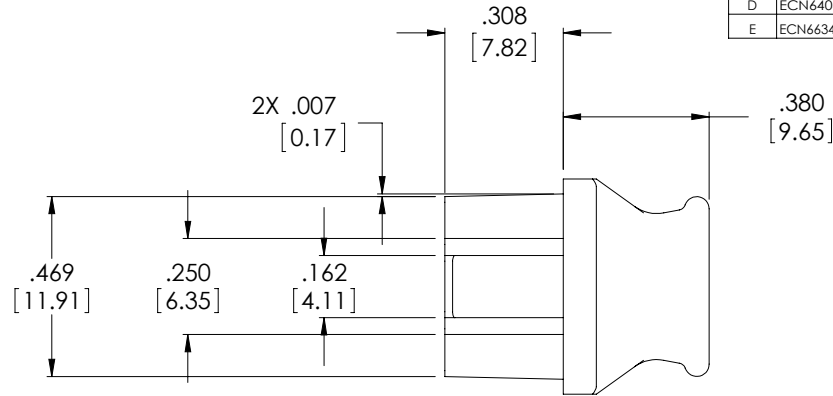


THE INFORMATION CONTAINED IN THIS DRAWING IS THE SOLE PROPERTY OF L-COM, INC. ANY REPRODUCTION IN PART OR WHOLE WITHOUT THE WRITTEN PERMISSION OF L-COM, INC. IS PROHIBITED.

REVISIONS			
REV	DESCRIPTION	DATE	APPROVED
B	ECN3954: UPDATED FORMAT. CN RELEASE	04/20/09	DFP
C	ECN6381: INCREASED SIZE OF INSERTION PORTION. MADE DIMS 3 PLACES. UPDATED NOTES.	08/31/12	DFP
D	ECN6403: INCREASED TAPER OF INSERTION PORTION	08/31/12	DFP
E	ECN6634: .269 WAS .290. ADDED RETAINING BUMP	01/18/13	DFP



NOTES:

1. MATERIAL: PVC, UL94V-0, DUROMETER 50P
2. COLOR: BLACK
3. COMPONENT SHALL BE BULK PACKAGED IN QUANTITIES OF 100 MAX PER BAG IN ACCORDANCE WITH L-COM SPECIFICATION PS-0031.

UNLESS OTHERWISE SPECIFIED, DIMENSIONS ARE IN INCHES [mm] OVERALL CABLE LENGTH TOLERANCE: ≤12 [305] = +1 [25] / -0 >12 [305] ≤60 [1524] = +2 [51] / -0 >60 [1524] ≤120 [3048] = +4 [102] / -0 >120 [3048] ≤300 [7620] = +6 [152] / -0 >300 [7620] = +3% / -0%	APPROVALS	DATE		45 BEECHWOOD DRIVE NORTH ANDOVER, MA 01845
	DRAWN BY D. PARHAM	7/3/2003		
ALL OTHER DIMENSIONAL TOLERANCES: .X = ±.2 .XX = ±.02 .XXX = ±.005	CHECKED BY B. MAZEJKA	7/3/2003	CATEGORY TELECOM/MODULAR	
	APPROVED BY C. McCORMICK	7/3/2003	PRODUCT DESCRIPTION RJ45 JACK PROTECTOR	
PROJECTION 	CONFIGURATION DETAILS OF UNDIMENSIONED FEATURES MAY VARY	COLOR VARIATIONS MAY OCCUR	SIZE A	FSCM NO. 43321
			DWG. NO. MP45J	REV. E
	1AY01-083	SCALE: NONE	CAD FILE: MP45J.SLDDRW	SHEET 1 OF 1