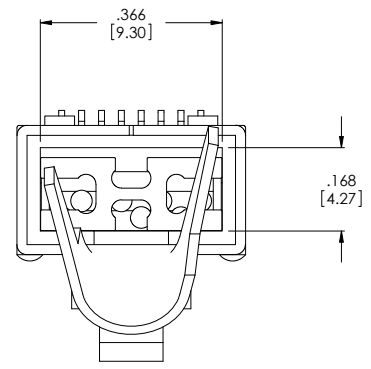
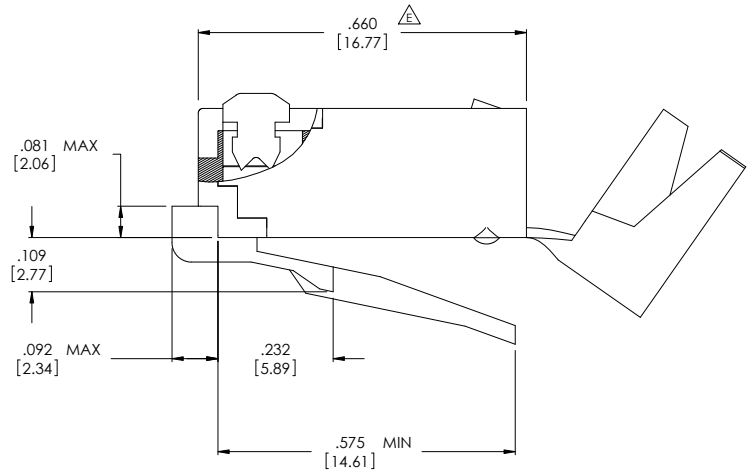
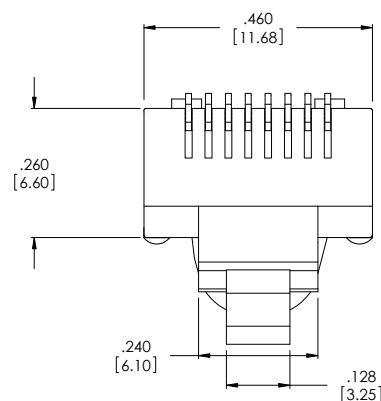
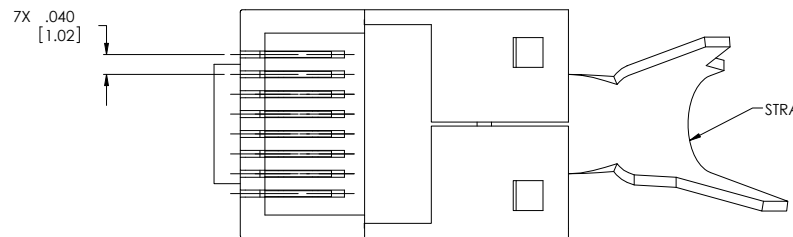


THE INFORMATION CONTAINED IN THIS DRAWING IS THE SOLE PROPERTY OF L-COM, INC. ANY REPRODUCTIONS IN PART OR WHOLE WITHOUT THE WRITTEN PERMISSION OF L-COM, INC. IS PROHIBITED.

REVISIONS			
REV	DESCRIPTION	DATE	CHANGED BY
B	ECN#2347: CONDUCTOR MAX OD WAS .037"	03/24/06	D. PARHAM
C	ECN 2587: REDIMENSION AND REFORMAT	10/30/2006	J. KIEZULAS
D	ECN3213: ADDED PACKAGING SPECIFICATION NOTE	03/03/08	D. PARHAM
E	ECN#3611: 660 WAS .418	08/27/12	D. PARHAM



**NOTES:**

**MATERIAL:**  
HOUSING, LOAD BAR, PAIR SEPARATOR: POLYCARBONATE, CLEAR, UL94V-0  
CONTACTS: PHOSPHOR BRONZE  
SHIELD/STRAIN RELIEF: BRASS

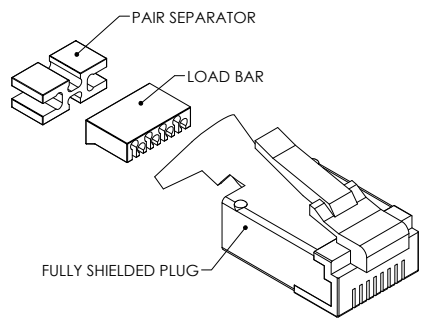
**FINISH:**  
CONTACTS: 50 MICROINCHES [1.27 MICRON] MIN. GOLD IN CONTACT AREA  
OVER 100 MICROINCHES [2.54 MICRON] MIN. NICKEL PLATE OVERALL.  
CONTACT MATING SURFACE TO BE ELECTROPOLISHED  
SHIELD/STRAIN RELIEF: 100 MICROINCHES [2.54 MICRON] NICKEL

**ELECTRICAL:**  
VOLTAGE: 125 VAC. MAX.  
CURRENT: 1.5 AMPS MAX.

**MECHANICAL:**  
CONTACT STYLE: 2 PRONG  
COMPATIBLE WITH STRANDED AND SOLID CONDUCTORS  
CONDUCTOR RANGE: 24 - 26 AWG  
MAX. CONDUCTOR INSULATION DIAMETER: .042 [1.07]  
PARTS SHALL CONFORM TO TIA-1096

**MISCELLANEOUS:**  
OPERATING TEMPERATURE RANGE: -40°C TO +125°C  
TERMINATED CONTACT HEIGHT: .237±.005 [6.02±.13]  
FOR TERMINATION OR TOOLING INFORMATION PLEASE VISIT  
THE APPROPRIATE PRODUCT PAGE AT WWW.L-COM.COM  
PARTS SHALL BE ROHS COMPLIANT

PACKAGE PER PS-0027



UNLESS OTHERWISE SPECIFIED,  
DIMENSIONS ARE IN INCHES (mm)

OVERALL CABLE LENGTH TOLERANCES:  
≤12 [305] ≤60 [1524] = +.011 / -0  
>12 [305] ≤120 [3048] = +.012 / -0  
>120 [3048] ≤300 [7620] = +.0152 / -0  
>300 [7620] = +.015 / -0

ALL OTHER DIMENSIONAL TOLERANCES:  
X = ±.2  
XX = ±.02  
XXX = ±.005

PROJECTION

APPROVALS	DATE
DRAWN BY D. PARHAM	03/09/2006
CHECKED BY J. KIEZULAS	03/22/2006
APPROVED BY C. MCCORMICK	03/22/2006

**Lcom** Global Connectivity 45 BEECHWOOD DRIVE NORTH ANDOVER, MA 01845

CATEGORY: TELECOM/MODULAR

PRODUCT DESCRIPTION: RJ45 CAT6 SHLD PLUG W/ STRN RL

SIZE	PSCM NO.	DWG. NO.	REV.
<b>B</b>	<b>43321</b>	<b>TDS8PC6</b>	<b>E</b>

SCALE: 4:1 CAD FILE: TDS8PC6.SLDDRW SHEET 1 OF 1