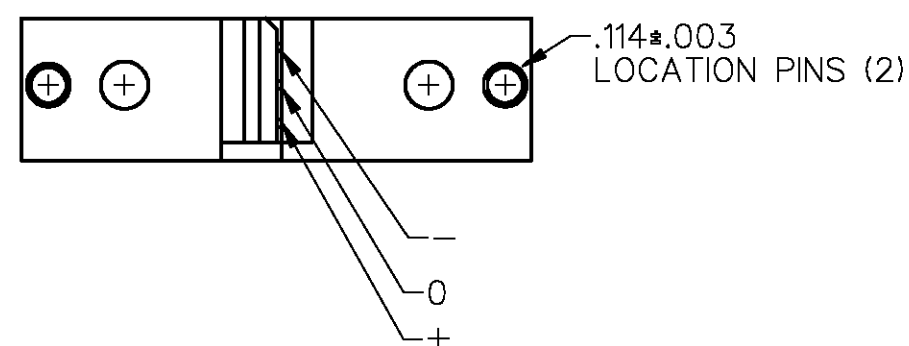
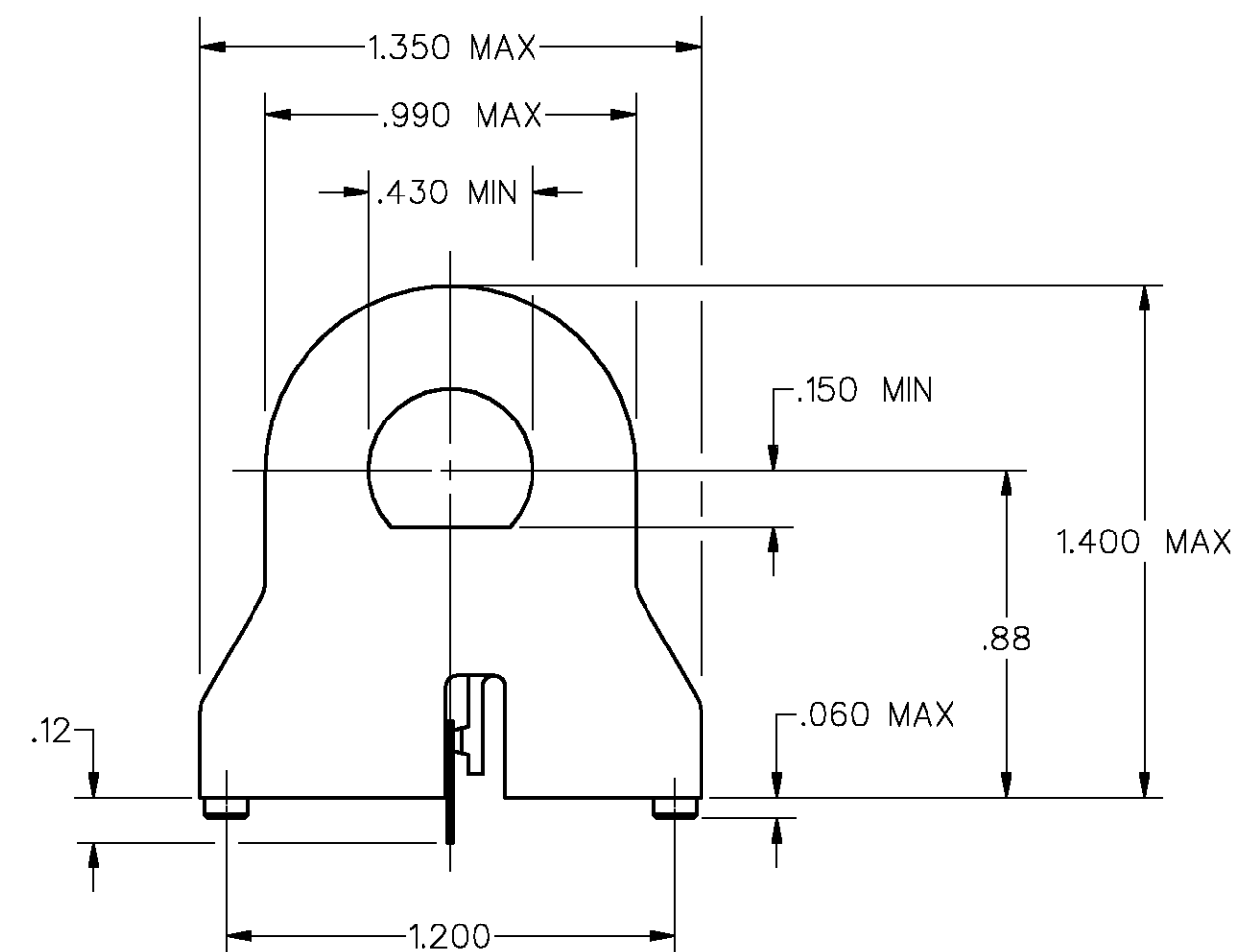
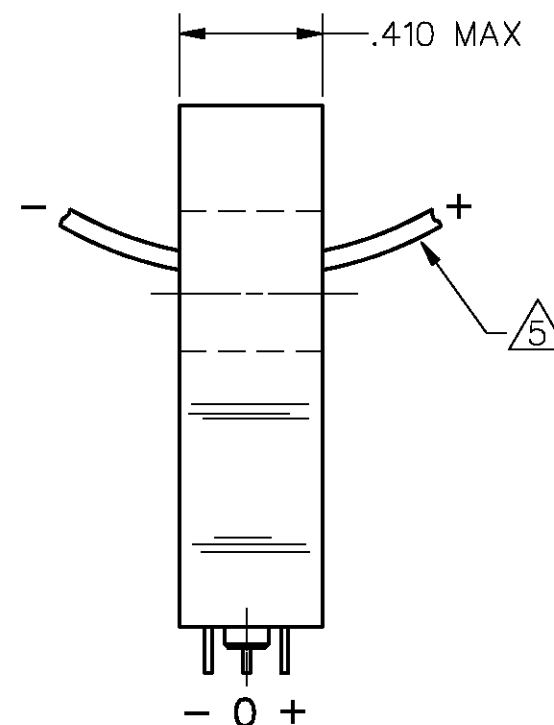
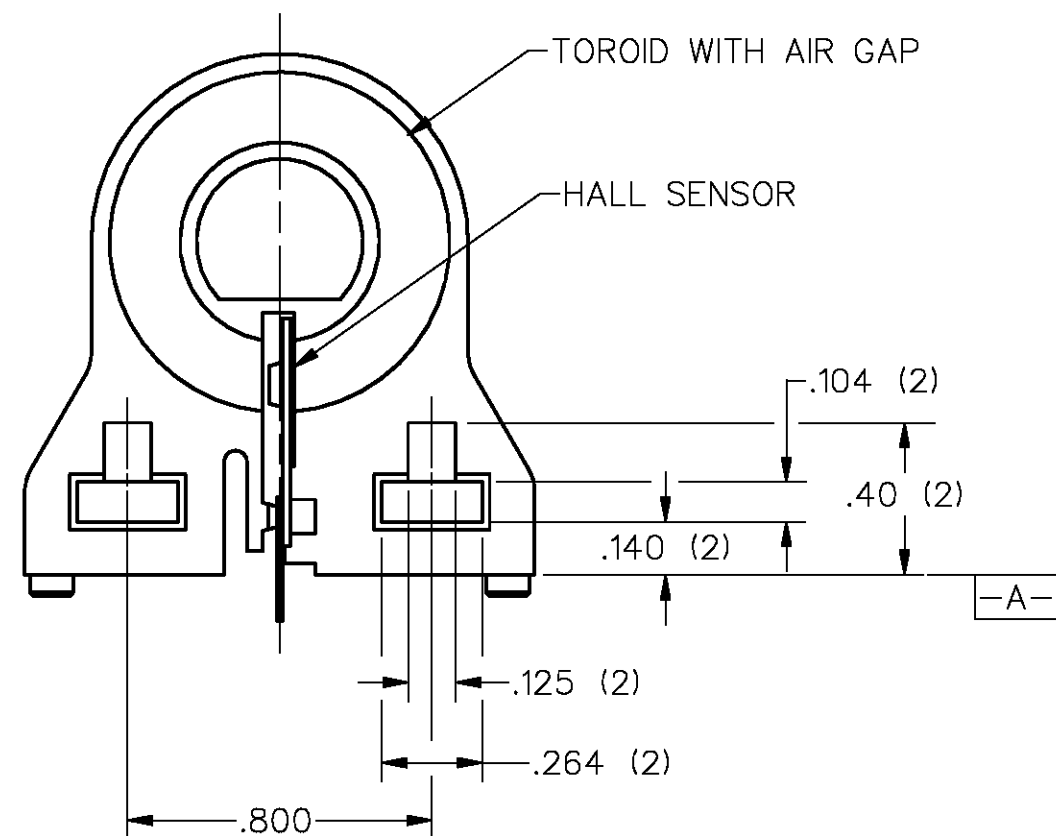


SUGGESTED HOLE CENTERS  
SCALE 4:1



- NOTES
- 1 - AIR GAP IN TOROID IS .075
  - 2 - GAUSS LEVEL IN AIR GAP IS 6.0 TO 7.0 GAUSS PER NI
  - 3 - RECOMMENDED MOUNTING IS 4-40 SQUARE NUT AND .375 LONG 4-40 SCREW
  - 4 - SEE 91SS12-2 FOR ELECTRICAL CHARACTERISTICS
- 5 CONVENTIONAL CURRENT FLOW IN DIRECTION INDICATED WILL CAUSE AN INCREASE IN HALL VOLTAGE

DRAWING NUMBER: CSLA1CD  
 ISSUE: 4  
 PAGE: 1 OF 1  
 REVISIONS:  
 A 09704  
 DLM 3 MAR 00  
 SAV 3 MAR 00  
 DEAN 3 MAR 00  
 FORMTEK



MASTER REDUCED

THIS DRAWING COVERS A PROPRIETARY ITEM AND IS THE PROPERTY OF MICRO SWITCH, A DIVISION OF HONEYWELL. THIS DRAWING IS NOT TO BE COPIED OR USED WITHOUT THE APPROVAL OF MICRO SWITCH.

**MICRO SWITCH**  
a Honeywell Division

**CURRENT SENSOR**

CATALOG LISTING  
**CSLA1CD**

FED. MFG. CODE R1929

THIRD ANGLE PROJECTION		
SCALE 2:1		
DO NOT SCALE PRINT		
UNLESS OTHERWISE SPECIFIED TOLERANCES ARE		
NO PLACE	(0)	± 1 mm
ONE PLACE	(0.0)	± 0.4 mm
TWO PLACE	(0.00)	± 0.15 mm
ANGLES		±
WEIGHT		