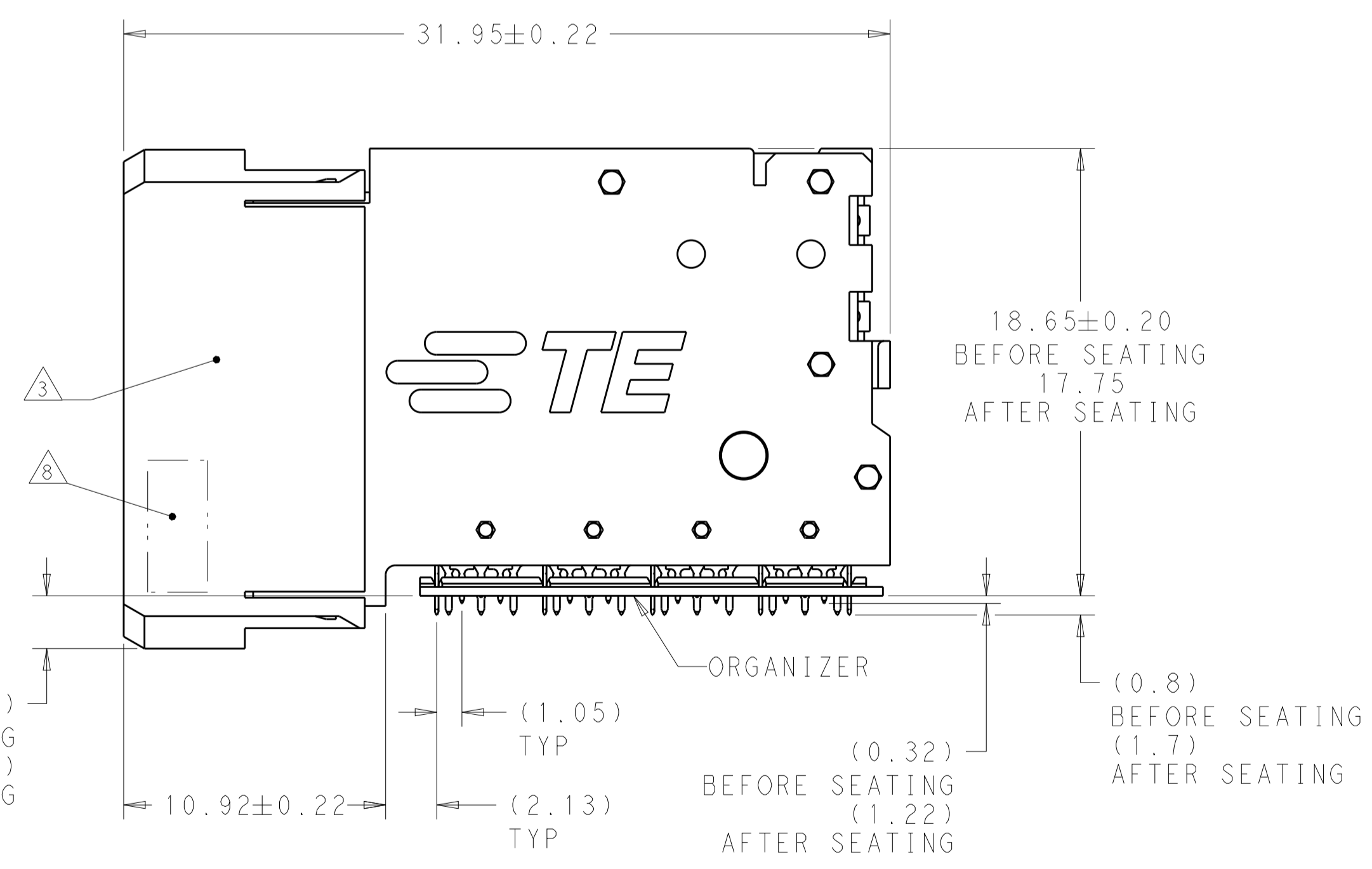
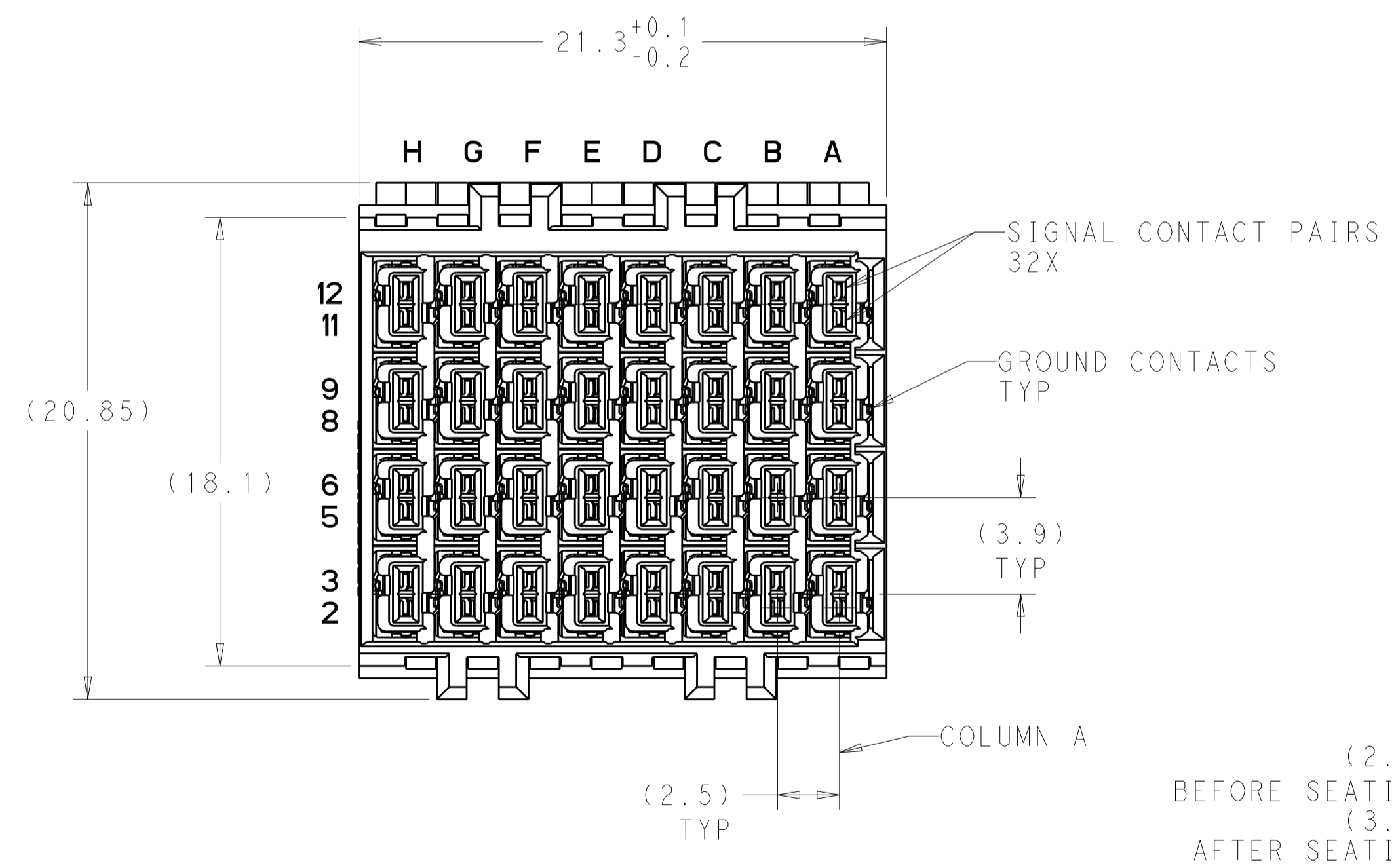
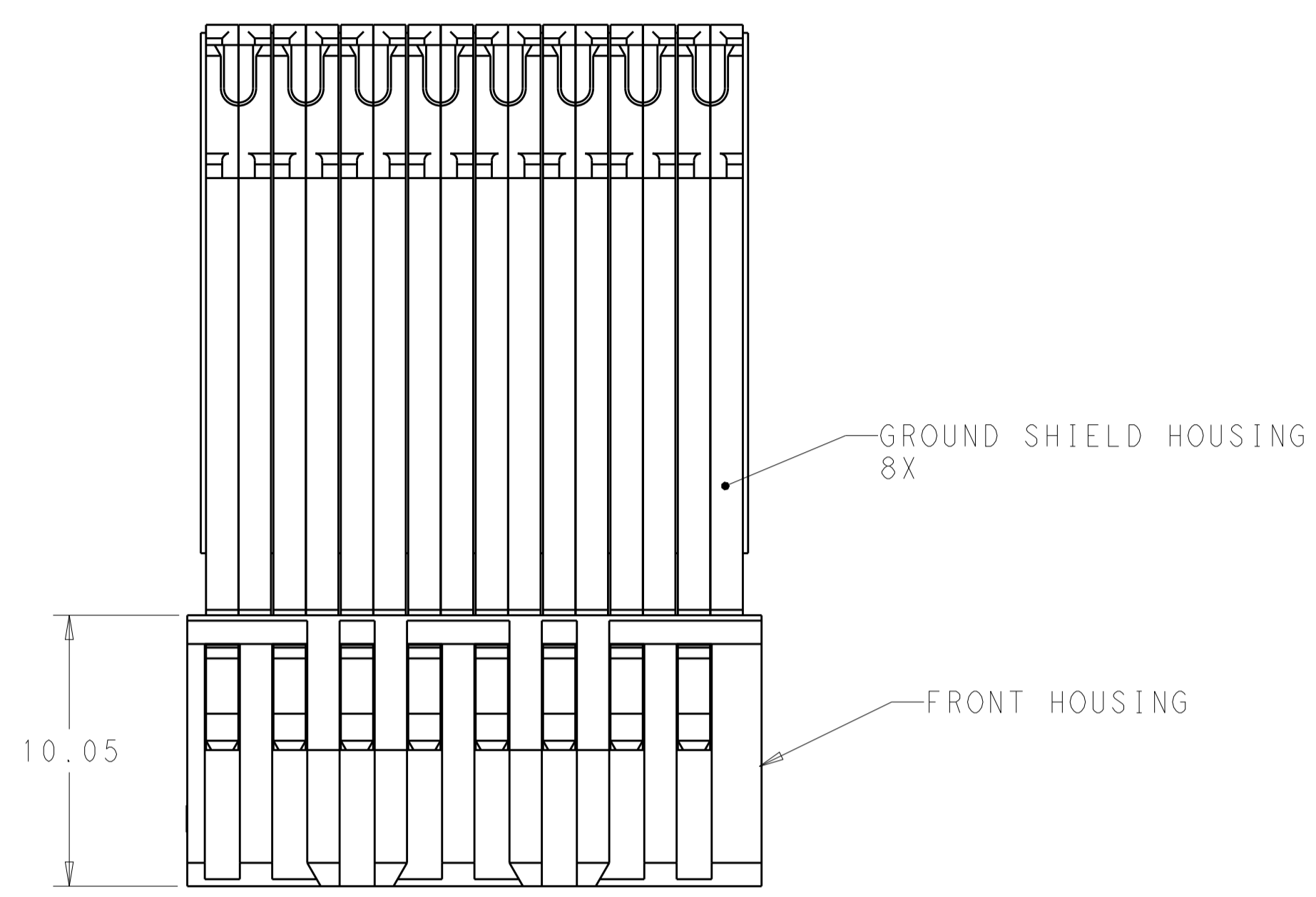


LOC		DIST		REVISIONS			
P	LTN	DESCRIPTION	DATE	DMN	APVD		
1		PROPOSED	14AUG2014	JM			
2		REVISED	16FEB2015	JM	DT		



- 1 CONTACTS - COPPER ALLOY, HOUSING AND ORGANIZER - THERMOPLASTIC, UL94 V-O, BLACK
- 2 CONFORMS TO REQUIREMENTS OF TE PRODUCT SPECIFICATION 108-32021, BASED ON TELCORDIA GR-1217-CORE FOR SYSTEM QUALITY LEVEL III APPLICATIONS IN CONTROLLED ENVIRONMENTS (CENTRAL OFFICE).
- 3 CONNECTOR MARKED ON EITHER SIDE OF HOUSING WITH PART NUMBER AND DATE CODE IN APPROXIMATE AREA SHOWN.
- 4 PLATED THRU HOLE REQUIREMENTS:
 FINISHED HOLE = $\varnothing 0.37 \pm 0.04$
 DRILLED HOLE = $\varnothing 0.450 \pm 0.025$
 COPPER THICKNESS = 0.025 MINIMUM
 IMMERSION TIN IF APPLICABLE = 0.0006-0.0011
- 5 PLATED THRU HOLE REQUIREMENTS:
 FINISHED HOLE = $\varnothing 0.29 \pm 0.04$
 DRILLED HOLE = $\varnothing 0.368 \pm 0.025$ (#79 DRILL)
 COPPER THICKNESS = 0.025 MINIMUM
 IMMERSION TIN IF APPLICABLE = 0.0006-0.0011
- 6 SIGNAL HOLES:
 PLATED THRU HOLE DIMENSIONS APPLY TO THE TOP 1.00 OF THE PCB THICKNESS FROM THE CONNECTOR MOUNTING SIDE.
 GROUND HOLES:
 PLATED THRU HOLE DIMENSIONS APPLY TO THE TOP 1.25 OF THE PCB THICKNESS FROM THE CONNECTOR MOUNTING SIDE.
- 7 DATUMS AND BASIC DIMENSIONS ESTABLISHED BY CUSTOMER.
- 8 DATAMATRIX BARCODE MARKING IN THIS AREA.

THIS PRODUCT HAS NOT COMPLETED VALIDATION AND QUALIFICATION TESTING

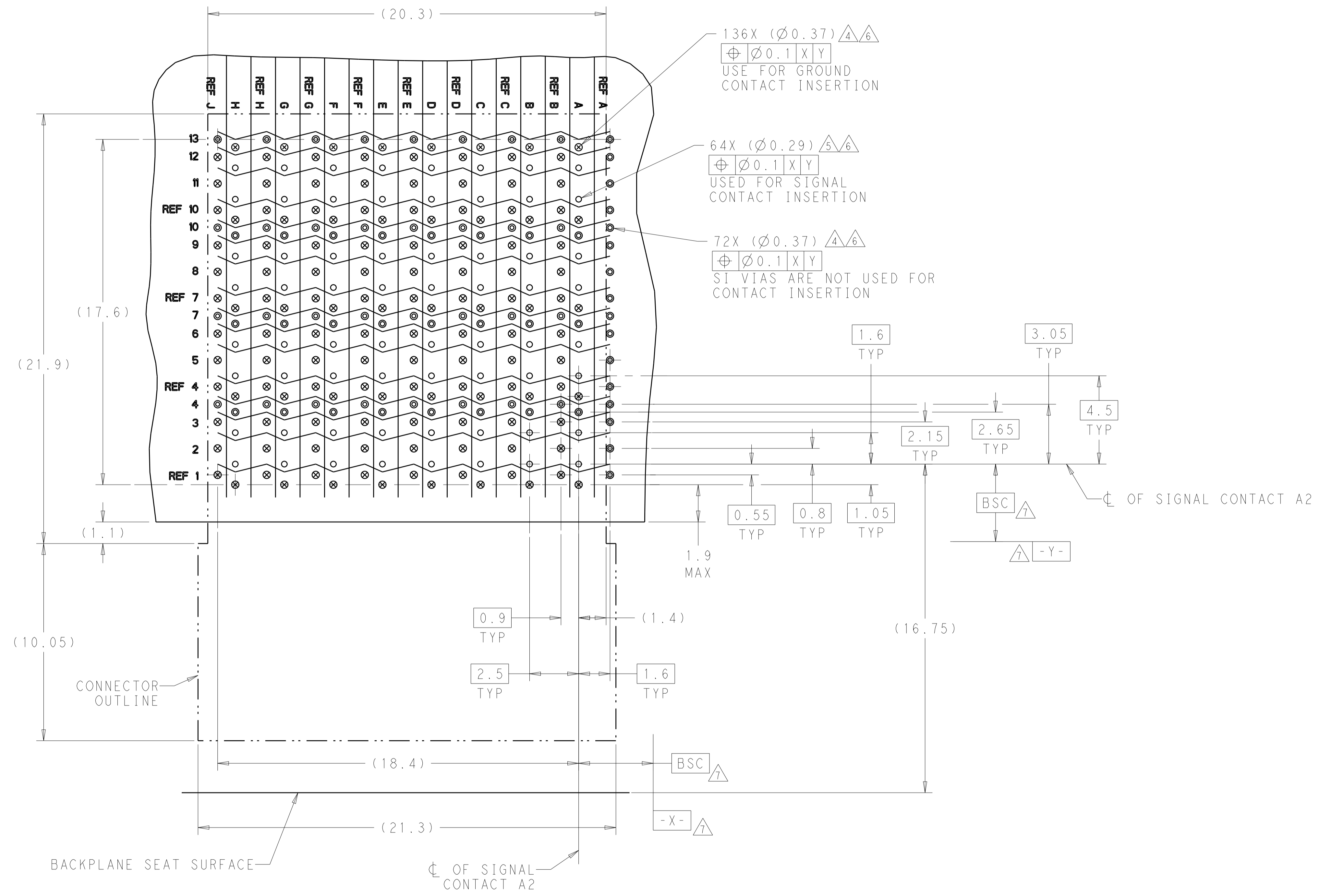
PRELIMINARY NOT RELEASED FOR PRODUCTION

TIN	2287288-1
PRESS FIT TAIL PLATING	PART NO

THIS DRAWING IS A CONTROLLED DOCUMENT.		DMN	J. McCLINTON	14AUG2014
DIMENSIONS:		CHK	D. TROUT	14AUG2014
mm	0 PLC ±	APVD	D. TROUT	14AUG2014
	1 PLC ±0.12	NAME		
	2 PLC ±	PRODUCT SPEC		
	3 PLC ±	APPLICATION SPEC		
	4 PLC ±	SIZE		
	ANGLES ±	CAGE CODE		
	FINISH SEE TABLE	DRAWING NO		
MATERIAL	1	WEIGHT	A100779C=2287288	
	2	Customer Drawing	SCALE	5:1
			SHEET	1 of 2
			REV	2

PRELIMINARY
 RECEPTACLE ASSEMBLY, RIGHT ANGLE,
 4 PAIR 8 COLUMN, 85 OHM
 PAIR-IN-COLUMN, STRADA WHISPER

LOC	DIST	REVISIONS					
GP	00	P	LTN	DESCRIPTION	DATE	DWN	APVD
		-		SEE SHEET 1			



PCB LAYOUT
 COMPONENT SIDE
 SCALE 8:1

- = SIGNAL
- ⊗ = GROUND
- ⊙ = SIGNAL INTEGRITY VIA TO GROUND

THIS PRODUCT HAS NOT COMPLETED VALIDATION AND QUALIFICATION TESTING

**PRELIMINARY
 NOT RELEASED FOR PRODUCTION**

THIS DRAWING IS A CONTROLLED DOCUMENT.		DWN J. McCLINTON 14AUG2014	NAME RECEPTACLE ASSEMBLY, RIGHT ANGLE, 4 PAIR 8 COLUMN, 85 OHM PAIR-IN-COLUMN, STRADA WHISPER
DIMENSIONS:		CHK D. TROUT 14AUG2014	PRODUCT SPEC
TOLERANCES UNLESS OTHERWISE SPECIFIED:		APVD D. TROUT 14AUG2014	APPLICATION SPEC
mm	0 PLC ± 1 PLC ±0.12 2 PLC ± 3 PLC ± 4 PLC ±	SIZE A100779	RESTRICTED TO
MATERIAL		FINISH	WEIGHT
Customer Drawing		SCALE 2:1	SHEET 2 OF 2 REV 2