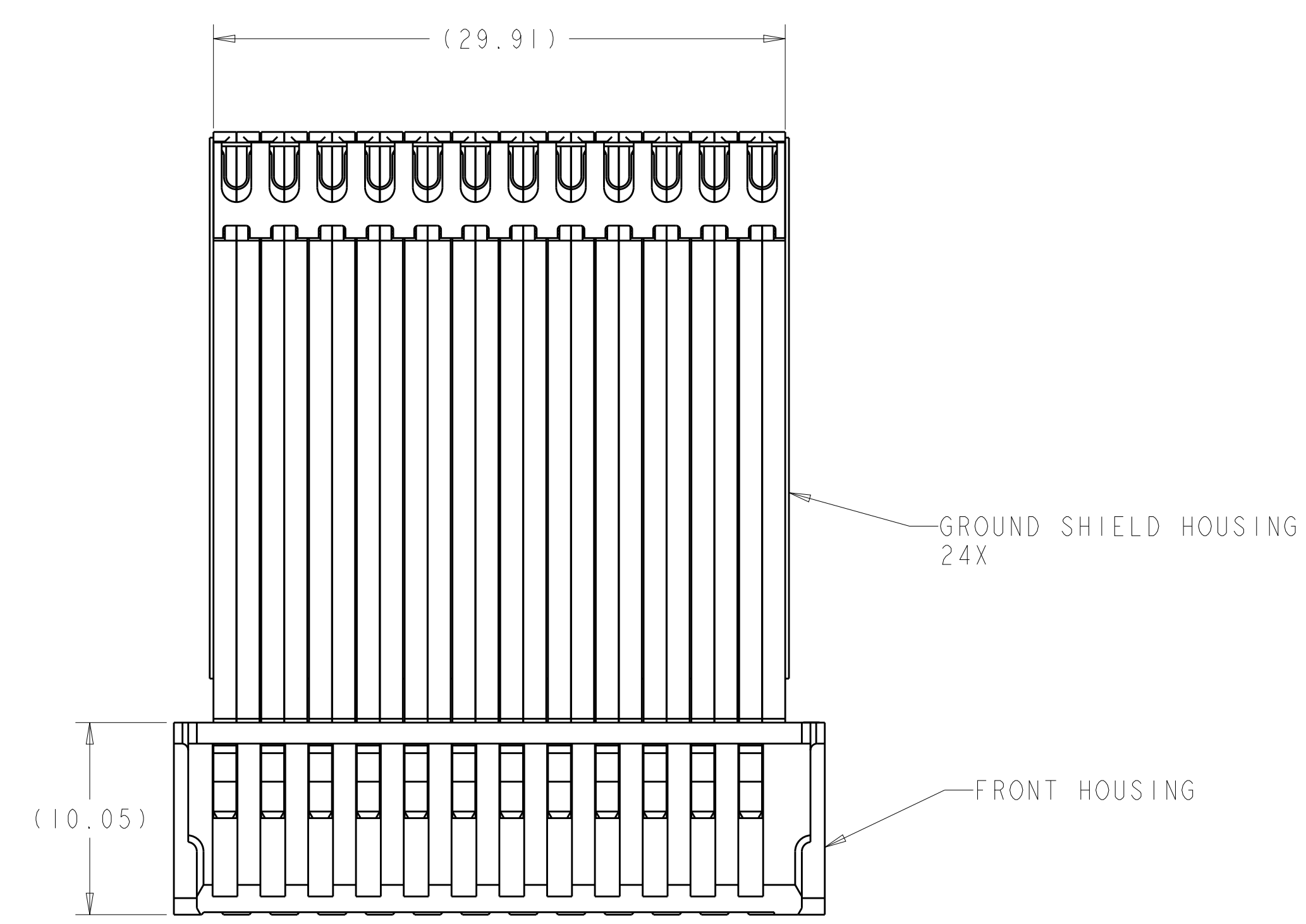
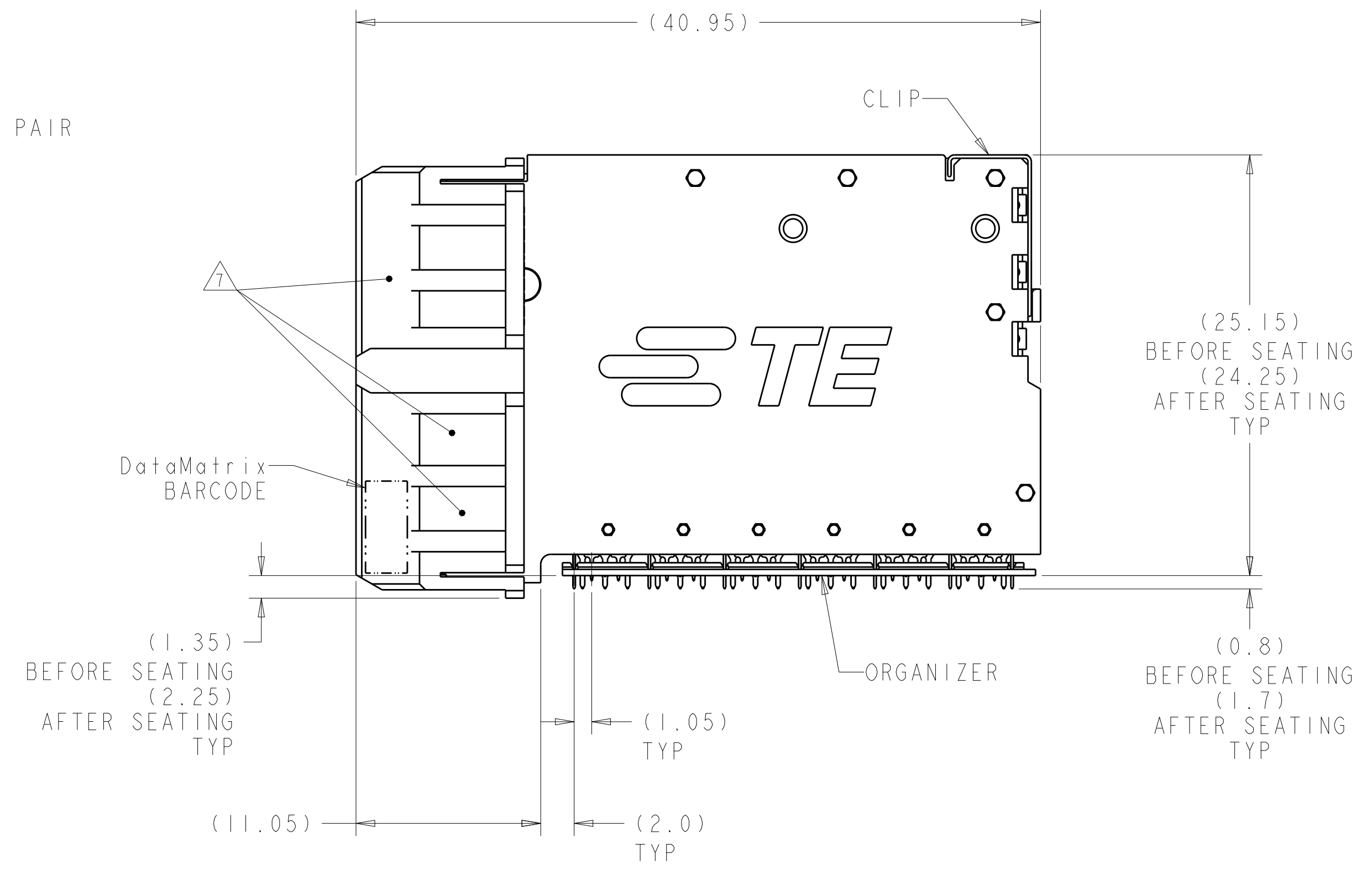
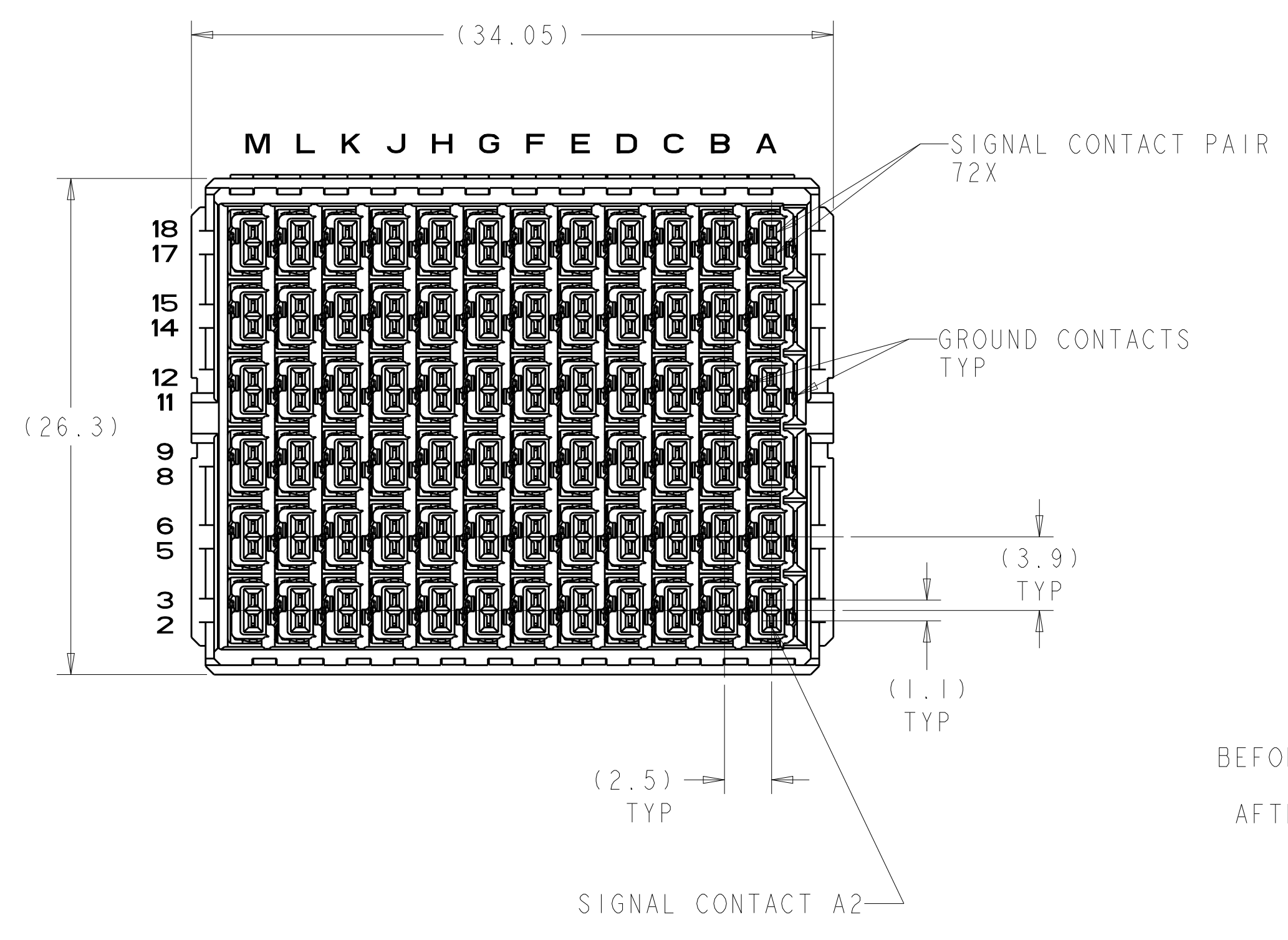


| LOC | DIST | REVISIONS | | | |
|-----|------|-------------|-------------|-----|------|
| P | LTN | DESCRIPTION | DATE | DMN | APVD |
| GP | 00 | | | | |
| 7 | | REVISED | 28 JUN 2012 | JM | JM |
| 8 | | REVISED | 13 NOV 2013 | RT | JM |
| 9 | | REVISED | 26 NOV 2013 | RT | JM |
| 10 | | ADD CLIP | 28 MAR 2014 | RT | JM |



- 1 CONTACTS - COPPER ALLOY. CLIP - STAINLESS STEEL, HOUSINGS AND ORGANIZER - THERMOPLASTIC, UL 94V-0, BLACK.
- 2 CONFORMS TO REQUIREMENTS OF TE PRODUCT SPECIFICATION 108-32021, BASED ON TELCORDIA GR-1217-CORE FOR SYSTEM QUALITY LEVEL III APPLICATIONS IN CONTROLLED ENVIRONMENTS (CENTRAL OFFICE).
- 3 PLATED THRU HOLE REQUIREMENTS -GROUND AND S1:
 FINISHED HOLE = $\varnothing 0.37 \pm 0.05$
 DRILLED HOLE = $\varnothing 0.450 \pm 0.025$
 COPPER THICKNESS = 0.025 MIN
 IMMERSION TIN IF APPLICABLE = (0.00095)
- 4 PLATED THRU HOLE REQUIREMENTS -SIGNAL:
 FINISHED HOLE = $\varnothing 0.24 \pm 0.04$
 DRILLED HOLE = $\varnothing 0.320 \pm 0.025$
 COPPER THICKNESS = 0.025 MIN
 IMMERSION TIN IF APPLICABLE = (0.00095)
- 5 SIGNAL HOLES:
 PLATED THRU HOLE DIMENSIONS APPLY TO THE TOP 1.00 MOUNTING SIDE OF PCB THICKNESS FROM THE CONNECTOR MOUNTING SIDE.
 GROUND HOLES:
 PLATED THRU HOLE DIMENSIONS APPLY TO THE TOP 1.25 MOUNTING SIDE OF PCB THICKNESS FROM THE CONNECTOR MOUNTING SIDE.
- 6 DATUMS AND BASIC DIMENSIONS ESTABLISHED BY CUSTOMER.
- 7 CONNECTOR MARKED ON EITHER SIDE OF HOUSING WITH PART NUMBER, DATE CODE, AND "100 OHM" IN APPROXIMATE AREA SHOWN.



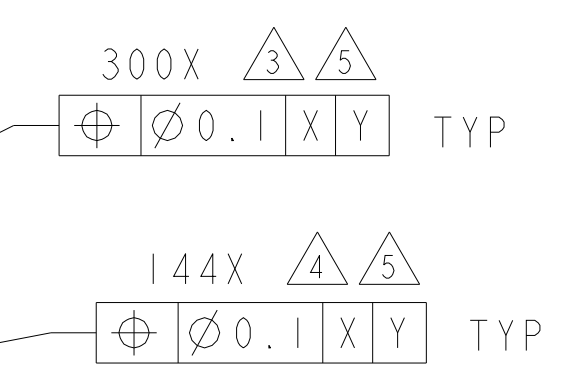
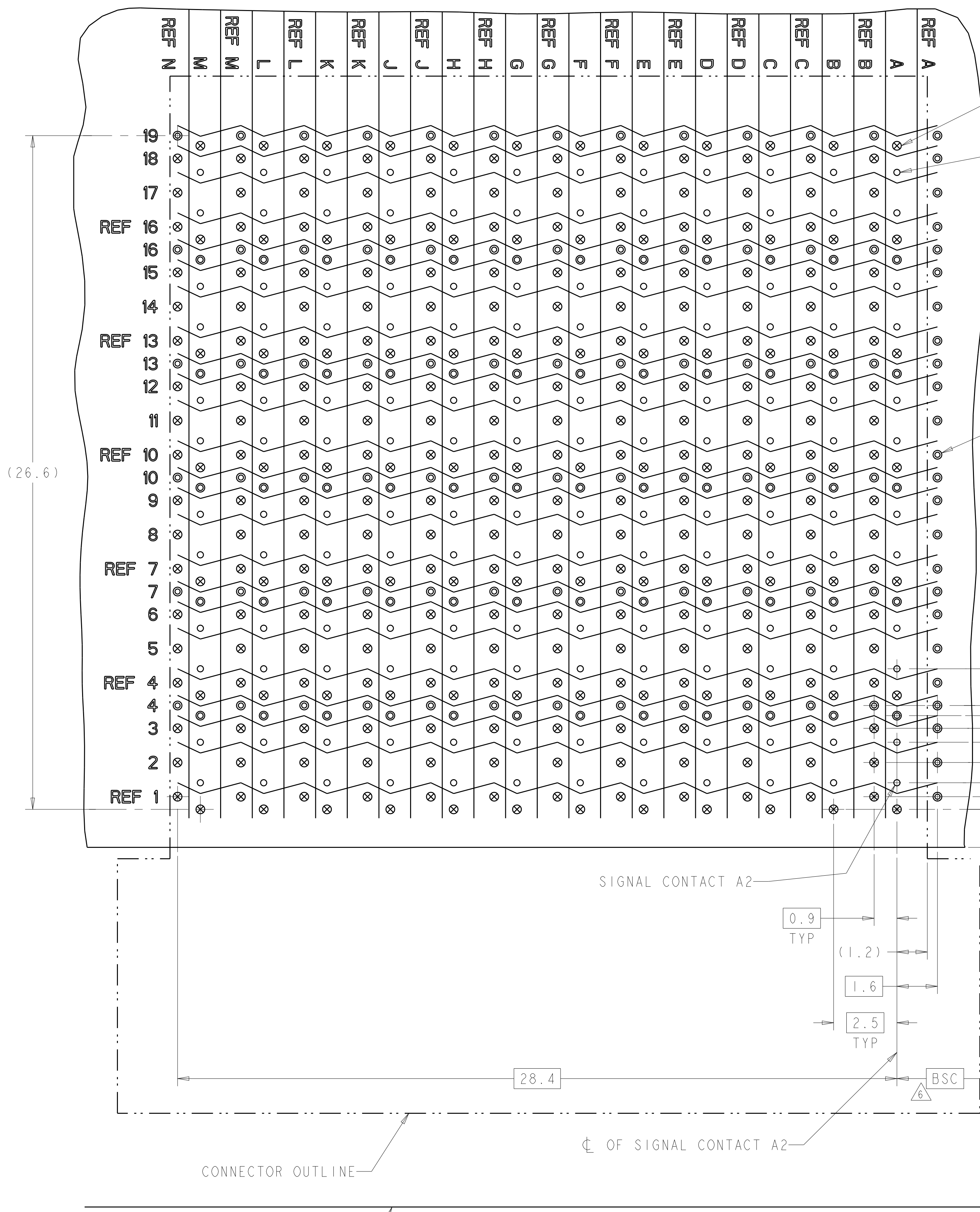
| | |
|------------------------|-----------|
| TIN | 2198174-1 |
| PRESS-FIT TAIL PLATING | PART NO |

THIS PRODUCT HAS NOT COMPLETED VALIDATION TESTING

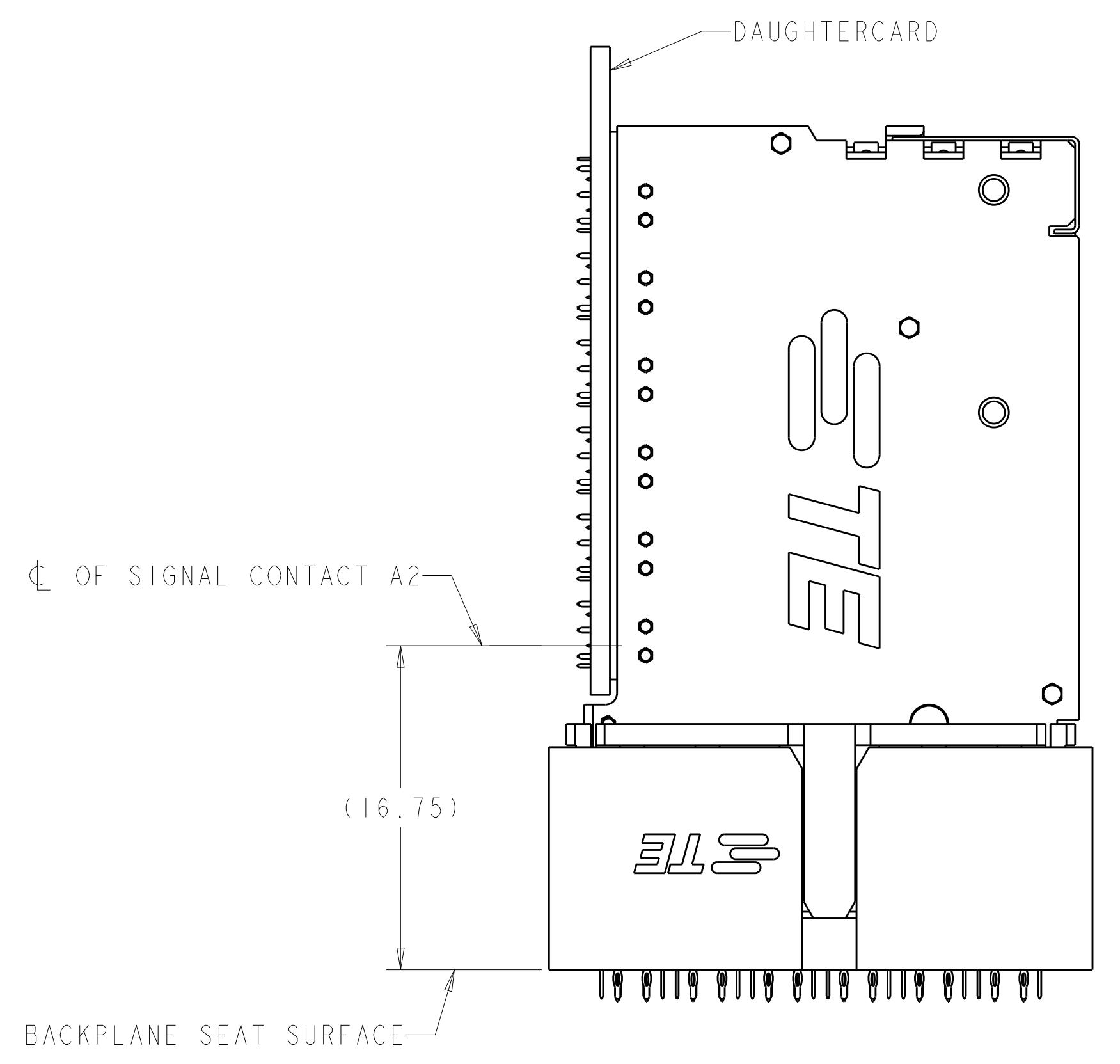
PRELIMINARY NOT RELEASED FOR PRODUCTION

| | | | | |
|--|-------------|-----------------------------------|--------------|------------|
| THIS DRAWING IS A CONTROLLED DOCUMENT. | | DMN | J. McCLINTON | 2 AUG 2011 |
| DIMENSIONS: | | CHK | J. McCLELLAN | 2 AUG 2011 |
| mm | 0 PLC ± | APVD | J. McCLELLAN | 2 AUG 2011 |
| | 1 PLC ±0.20 | NAME | | |
| | 2 PLC ± | RECEPTACLE ASSEMBLY, RIGHT ANGLE, | | |
| | 3 PLC ± | 6 PAIR 12 COLUMN, | | |
| | 4 PLC ± | 100 OHM P/C, STRADA WHISPER | | |
| | ANGLES ± | PRODUCT SPEC | 2 | |
| | FINISH | APPLICATION SPEC | | |
| MATERIAL | | SIZE | CAGE CODE | DRAWING NO |
| | | WEIGHT | A1 | 00779 |
| | | CUSTOMER DRAWING | SCALE | 4:1 |
| | | | SHEET | 1 OF 2 |
| | | | REV | 10 |

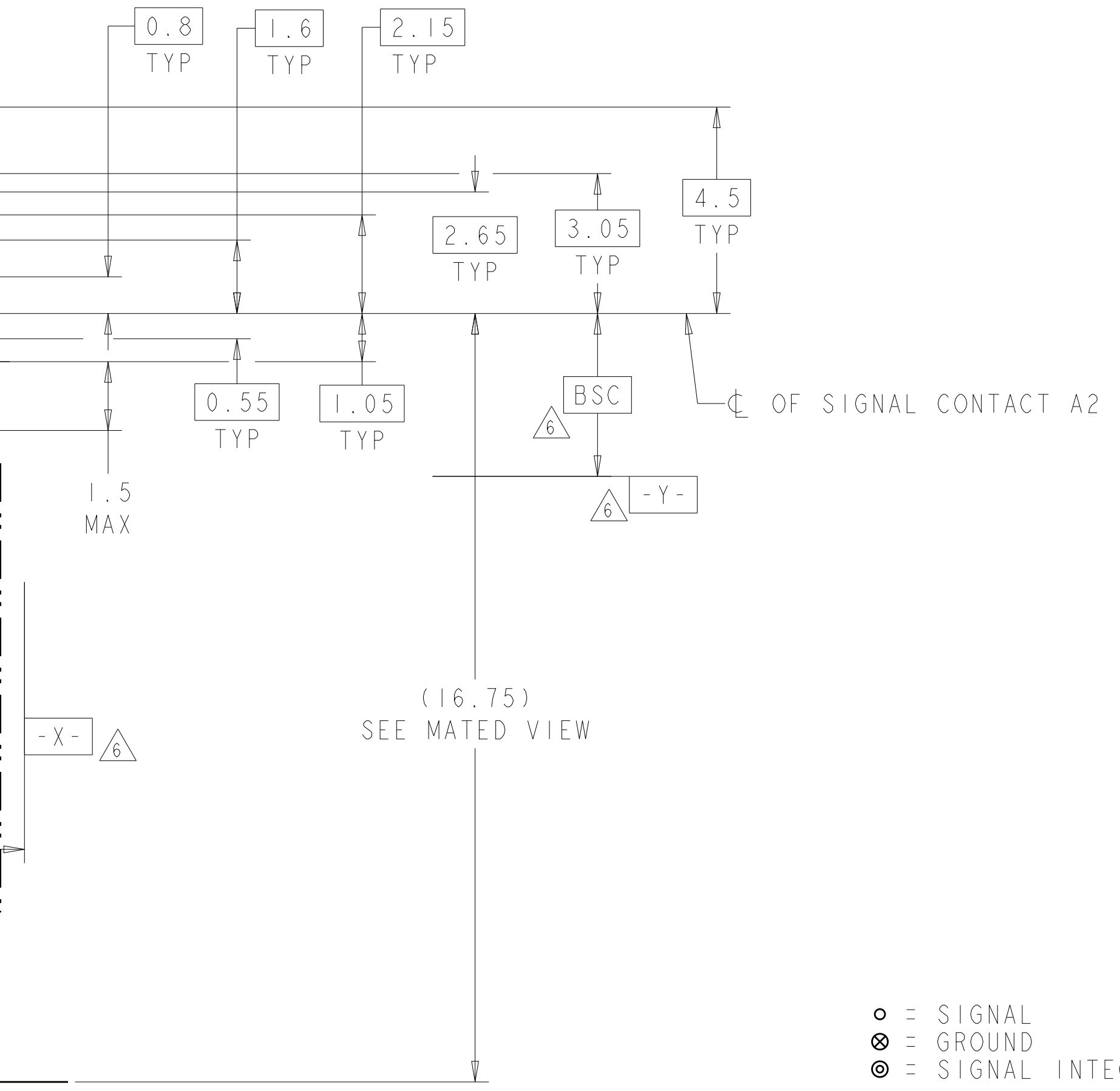
| LOC | DIST | REVISIONS | | | | | |
|-----|------|-----------|-----|-------------|------|-----|------|
| GP | 00 | P | LTN | DESCRIPTION | DATE | DWN | APVD |
| | | - | | SEE SHEET 1 | | | |



SI VIAS ARE NOT USED FOR CONTACT INSERTION



MATED VIEW



- = SIGNAL
- ⊗ = GROUND
- ⊙ = SIGNAL INTEGRITY VIA TO GROUND

PCB LAYOUT
COMPONENT SIDE
SCALE 10:1

**THIS PRODUCT
HAS NOT COMPLETED
VALIDATION TESTING**

**PRELIMINARY
NOT RELEASED FOR PRODUCTION**

| | | | | |
|--|--|------------------|---------------------------|---|
| THIS DRAWING IS A CONTROLLED DOCUMENT. | | DWN | J. McCLINTON | 12AUG2011 |
| DIMENSIONS: | | CHK | J. McCLELLAN | 12AUG2011 |
| mm | TOLERANCES UNLESS OTHERWISE SPECIFIED: | APVD | J. McCLELLAN | 12AUG2011 |
| 0 PLC | ± | PRODUCT SPEC | | NAME RECEPTACLE ASSEMBLY, RIGHT ANGLE, 6 PAIR 12 COLUMN, 100 OHM PIC, STRADA WHISPER |
| 2 PLC | ±0.20 | APPLICATION SPEC | | |
| 3 PLC | ± | MATERIAL | | |
| 4 PLC | ± | FINISH | | |
| MATERIAL | | WEIGHT | SIZE CAGE CODE DRAWING NO | |
| FINISH | | A100779 | | RESTRICTED TO |
| CUSTOMER DRAWING | | SCALE 4:1 | | SHEET 2 OF 2 REV 10 |