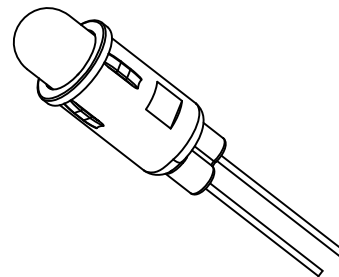
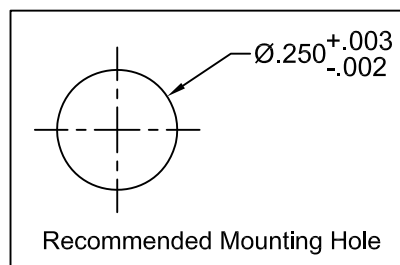
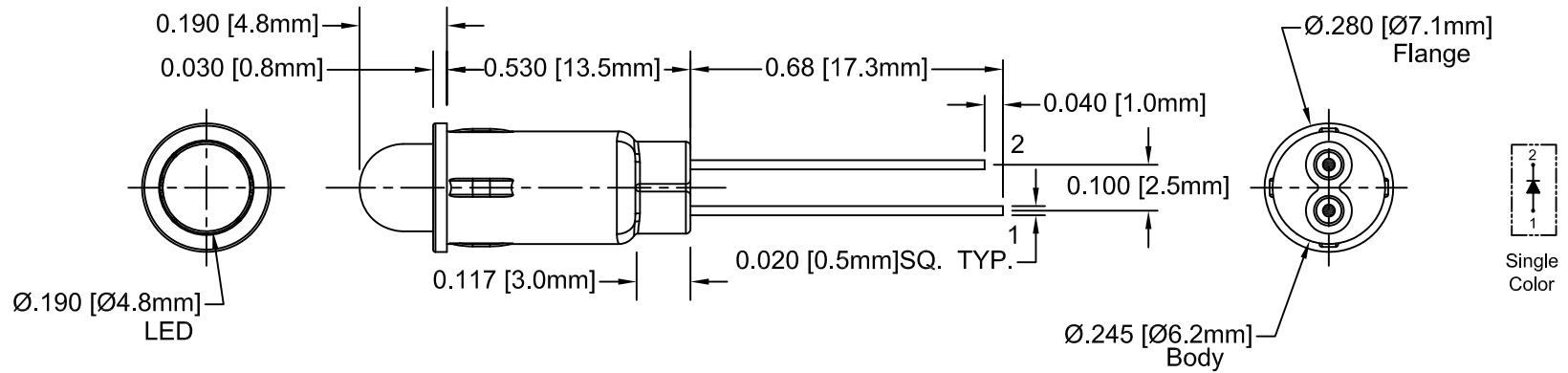


# 352 Series

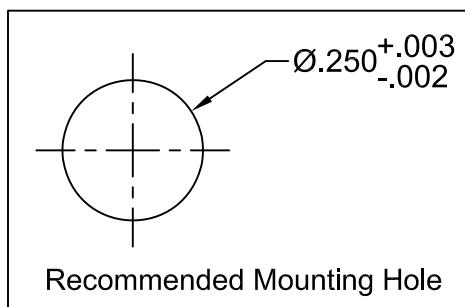
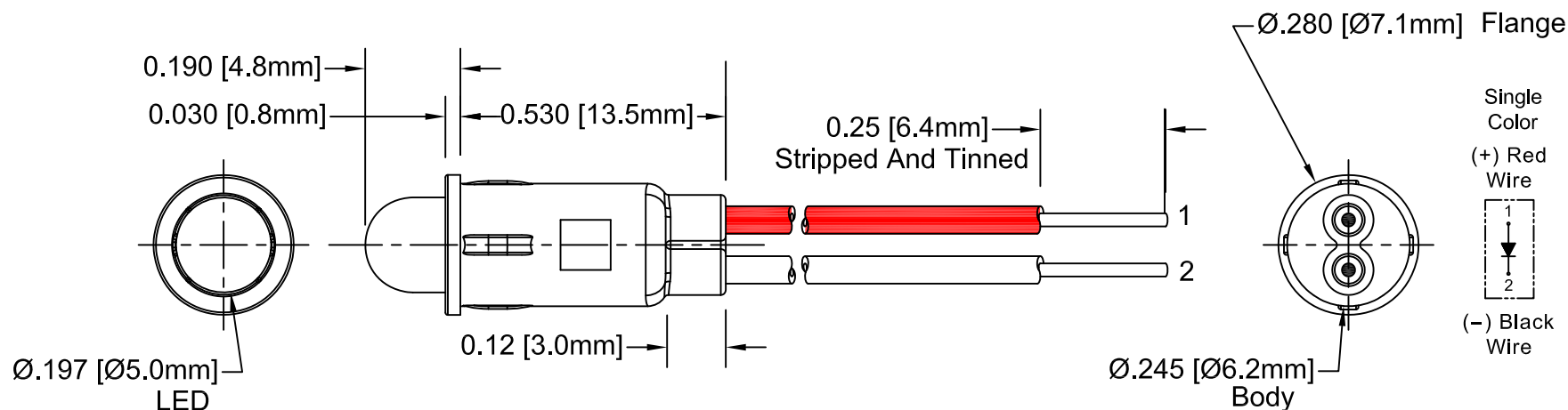


## ABSOLUTE MAXIMUM RATINGS ( $T_a = 25^\circ\text{C}$ )

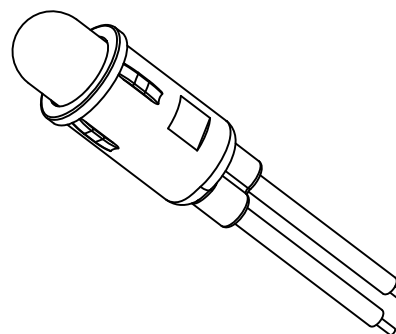
REVERSE VOLTAGE	_____	5V
REVERSE CURRENT ( $V_R=5\text{V}$ )	_____	$100\mu\text{A}$
OPERATING TEMPERATURE RANGE	_____	$-25^\circ\text{C} \sim 85^\circ\text{C}$
STORAGE TEMPERATURE	_____	$-30^\circ\text{C} \sim 100^\circ\text{C}$
LEAD SOLDERING TEMPERATURE (1/16" FROM BODY)	_____	$260^\circ\text{C}$ for 5 Seconds


STANDARD TOLERANCE (UNLESS OTHERWISE SPECIFIED)		<b>MARL</b>	MARL BUSINESS PARK, ULVERSTON, UK. LA12 9BN Tel: +44 (0)1229 582 430. Web: www.leds.co.uk
DECIMALS	ANGULAR		
.X $\pm .1$	$X^\circ \pm 1^\circ$		
.XX $\pm .02$			<b>TITLE:</b> STD PANEL MOUNT INDICATORS
.XXX $\pm .010$			<b>PART NO:</b> 352 Series
<b>Issue 1</b>		<b>SHEET # 1 OF 3</b>	
CAD GENERATED DOCUMENT, DO NOT MEASURE DRAWING.			

# 352 Series (Flying Leads version)





Wire specification:  
 Red - Anode  
 Black - Cathode  
 24AWG - UL1061



STANDARD TOLERANCE ( UNLESS OTHERWISE SPECIFIED )		 MARL BUSINESS PARK, ULVERSTON, UK. LA12 9BN Tel: +44 (0)1229 582 430. Web: www.leds.co.uk
DECIMALS	ANGULAR	
.X $\pm .1$	X° $\pm 1^\circ$	
.XX $\pm .02$		
.XXX $\pm .010$		
Issue 1		<b>TITLE:</b> STD PANEL MOUNT INDICATORS
		<b>PART NO:</b> 352 Series
		SHEET # 2 OF 3
CAD GENERATED DOCUMENT, DO NOT MEASURE DRAWING.		

Marl Part No.	Chip			Lens Appearance	Electro-Optical Data @20mA				Viewing Angle 2 Ø 1/2 (Deg)	LED P/N	Termination
	Material	Peak Wave Length	Emitted Colour		If (mA)	Vf (V)		Iv (mcd)			
						MAX	TYP				
352-520-04	GaN/SiC	430	BLUE	DIFFUSED	25	4	4.5	15	45	520	PINS
352-520-04-40											12IN FLYING LEADS
352-512-04	GaP/GaP	568	GREEN	TINTED	30	2.1	2.8	40	35	512	PINS
352-512-04-40											12IN FLYING LEADS
352-505-04	GaP/GaP	700	RED	DIFFUSED	20	2.1	2.8	2	45	505	PINS
352-505-04-40											12IN FLYING LEADS
352-509-04	GaAsP/GaP	590	YELLOW	TINTED	30	2	2.8	40	35	509	PINS
352-509-04-40											12IN FLYING LEADS

STANDARD TOLERANCE ( UNLESS OTHERWISE SPECIFIED )		 MARL BUSINESS PARK, ULVERSTON, UK. LA12 9BN Tel: +44 (0)1229 582 430. Web: www.leds.co.uk
DECIMALS .X ± .1 .XX ± .02 .XXX ± .010	ANGULAR X° ± 1°	
		<b>TITLE:</b> STD PANEL MOUNT INDICATORS
<b>Issue 1</b>		<b>PART NO:</b> 352 Series
		<b>SHEET # 3 OF 3</b>
<small>CAD GENERATED DOCUMENT, DO NOT MEASURE DRAWING.</small>		