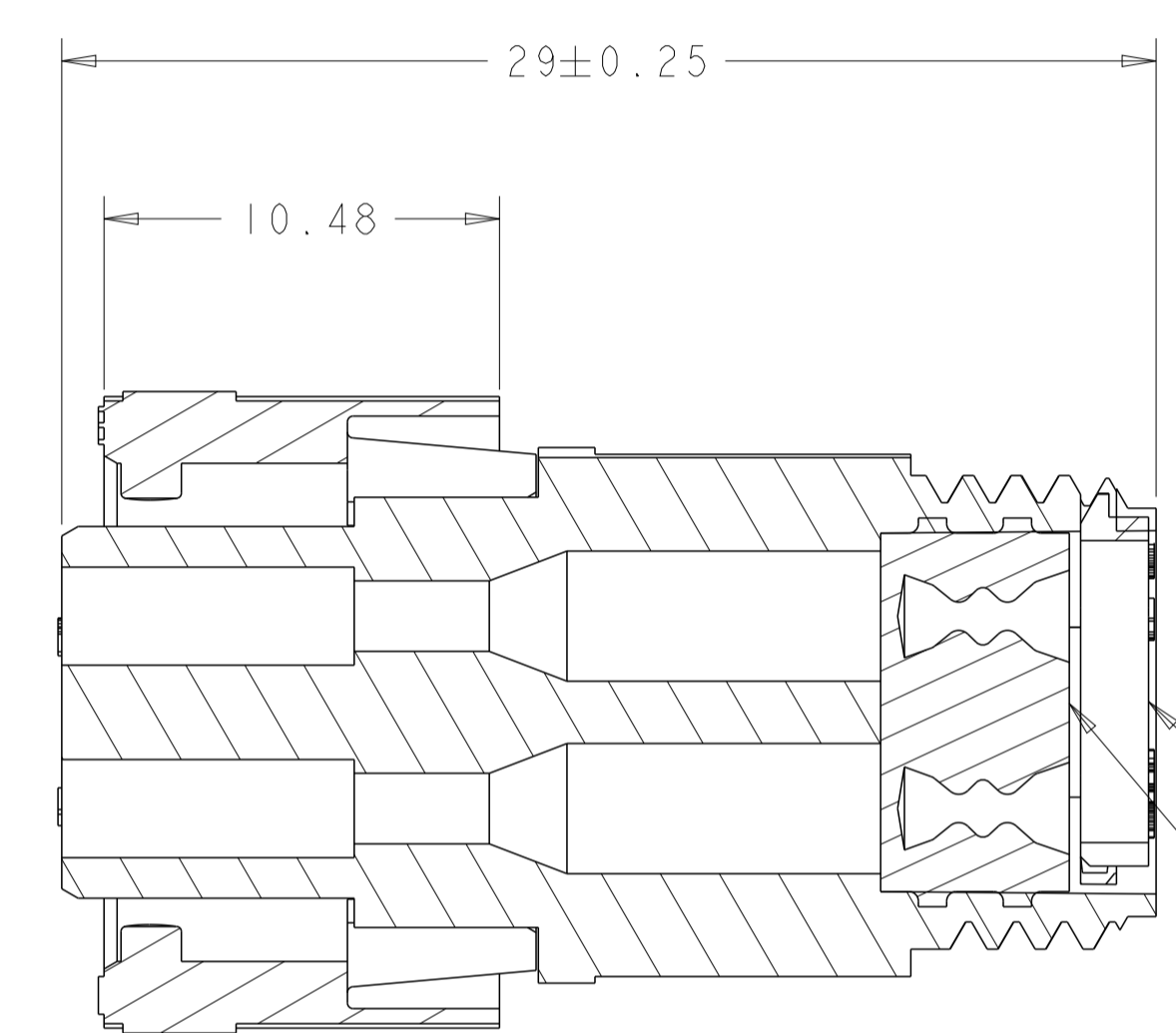
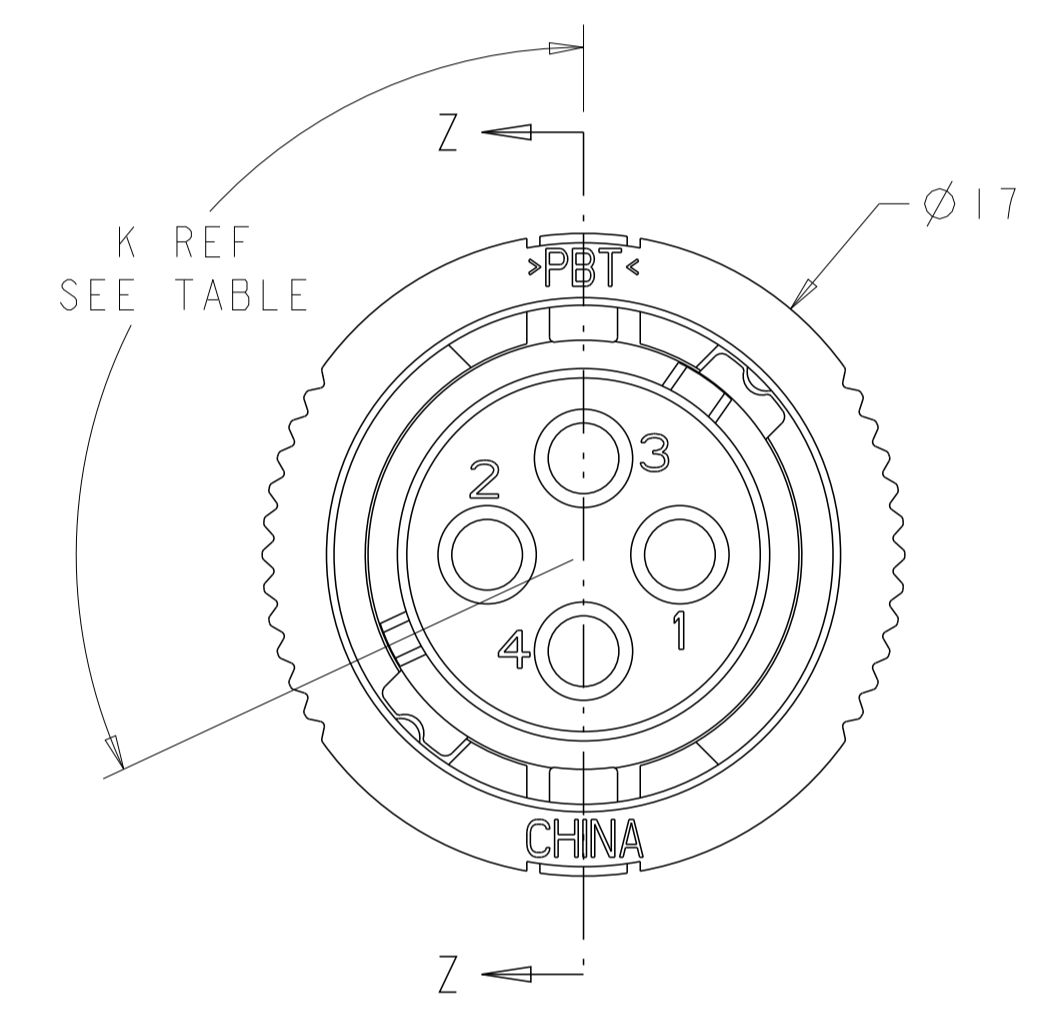
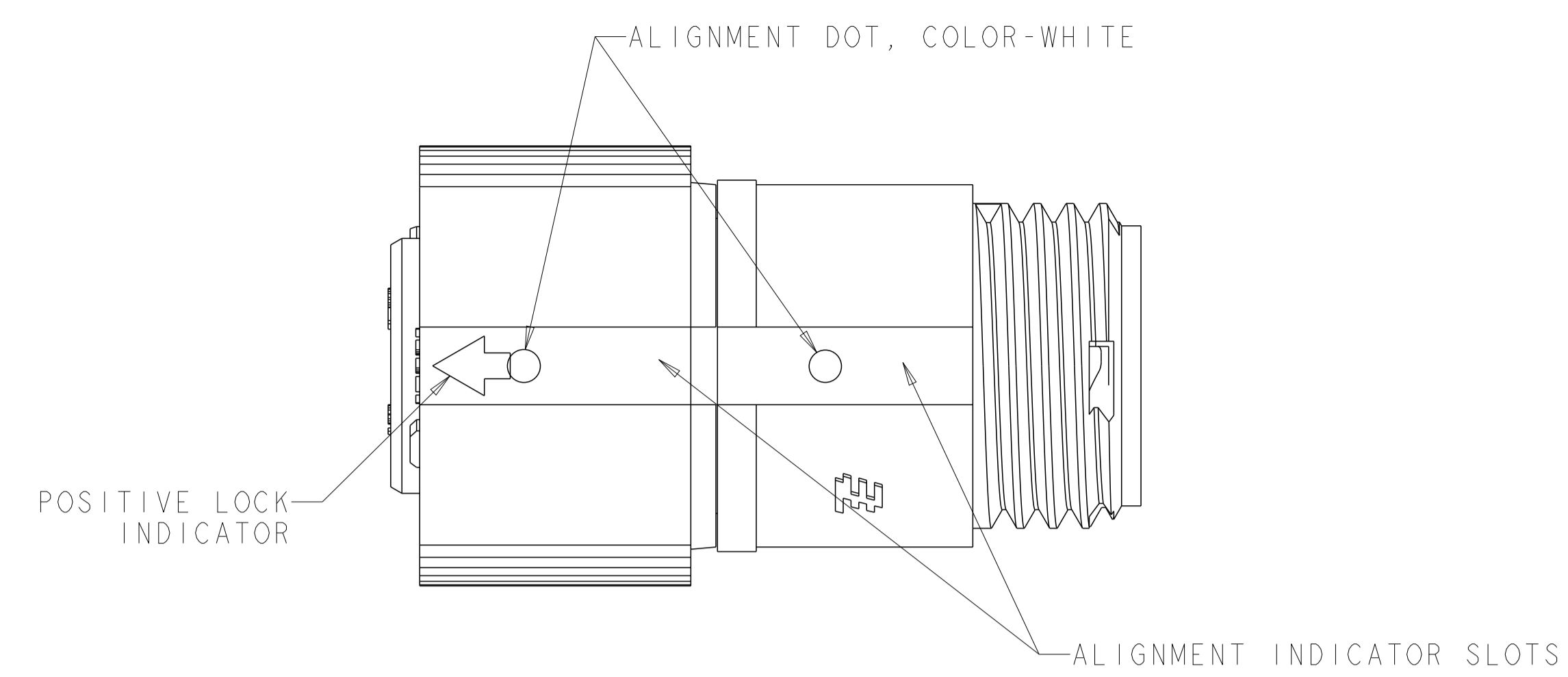
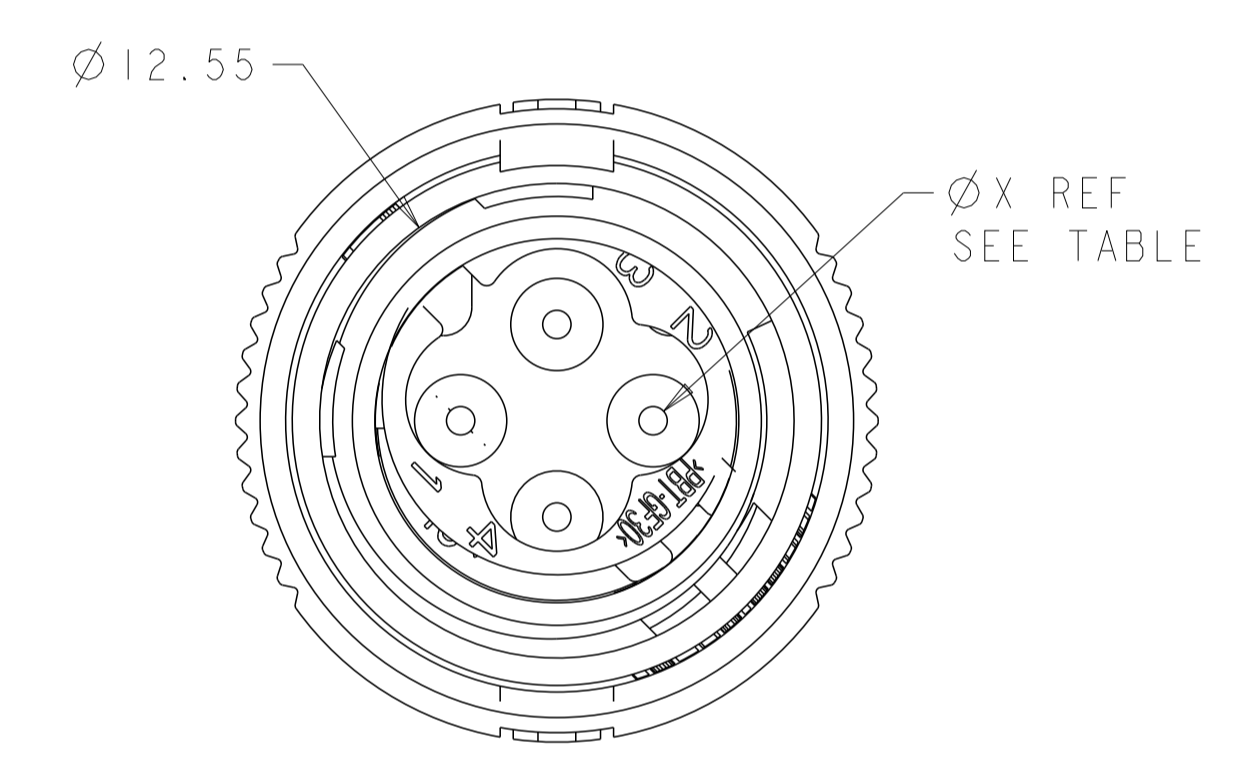


LOC		DIST		REVISIONS			
P	LTN	DESCRIPTION	DATE	DWN	APVD		
	B3	REVISED PER ECO-15-010004	13JUL2015	NK	MZ		

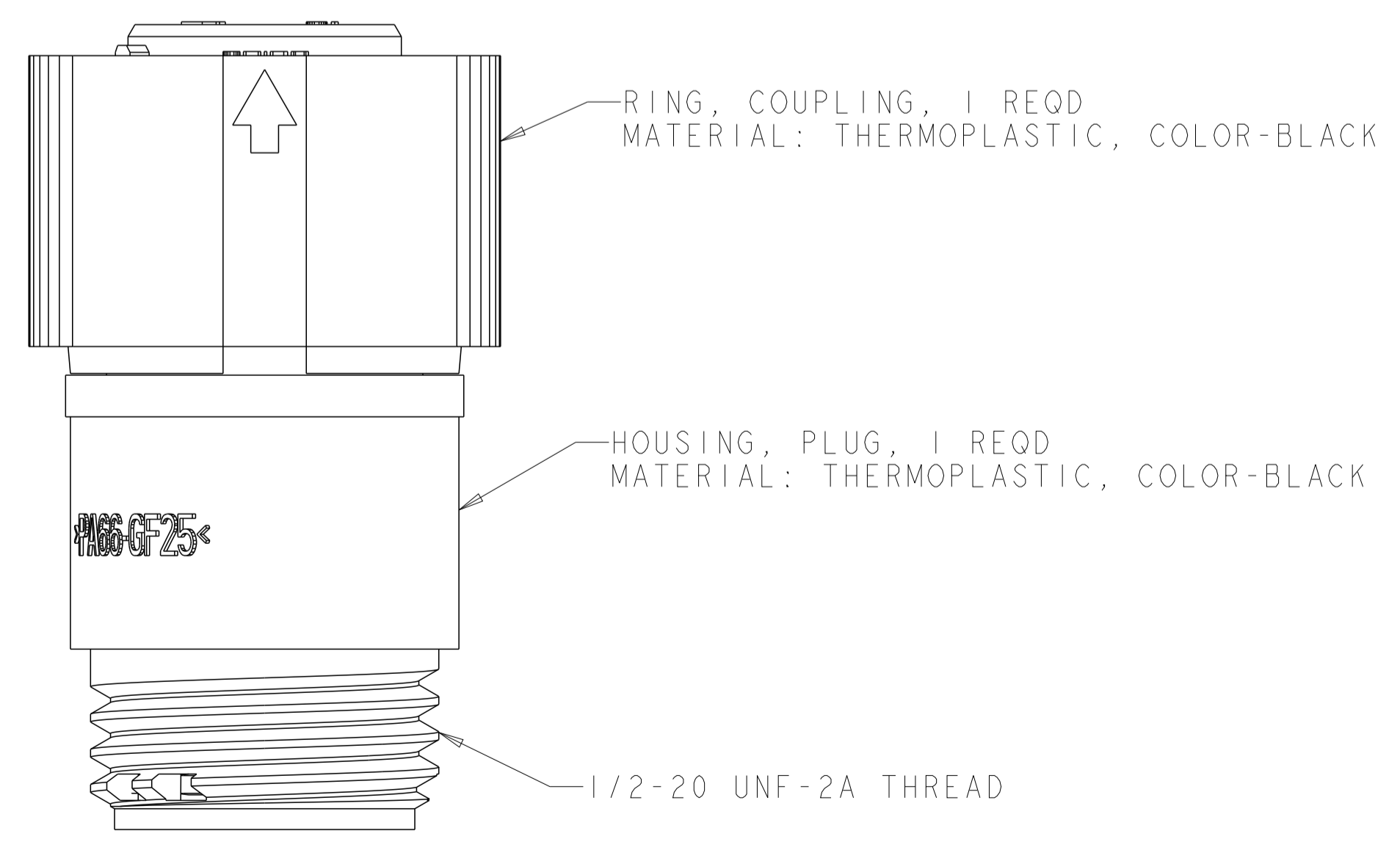


SECTION Z-Z



RETAINER, SEAL, 1 REQD  
 MATERIAL: THERMOPLASTIC, COLOR-BLACK

SEAL, WIRE ENTRY, 1 REQD  
 MATERIAL: ELASTOMER, COLOR-SEE TABLE



YELLOW	Ø0.75	130°	1445390-04
NATURAL	Ø1.5	115°	1445390-03
NATURAL	Ø1.5	130°	1445390-02
YELLOW	Ø0.75	115°	1445390-01
SEAL, WIRE ENTRY COLOR	ØX REF	K REF	PART NUMBER

THIS DRAWING IS A CONTROLLED DOCUMENT.

DIMENSIONS: mm

TOLERANCES UNLESS OTHERWISE SPECIFIED:

0 PLC	±
1 PLC	±0.13
2 PLC	±
3 PLC	±
4 PLC	±
ANGLES	±
FINISH	±

MATERIAL: SEE CALLOUT

APPROVED: G. DOUTY 01MAR2001, H. WAKEEM 12JUN2003

NAME: ASSEMBLY, PLUG, SIZE 8 4 POSITION, SEALED, MINI CPC

SIZE: A1, CAGE CODE: 100779, DRAWING NO: 1445390

SCALE: 5:1, SHEET 1 OF 1, REV B3

TE Connectivity