

4


3

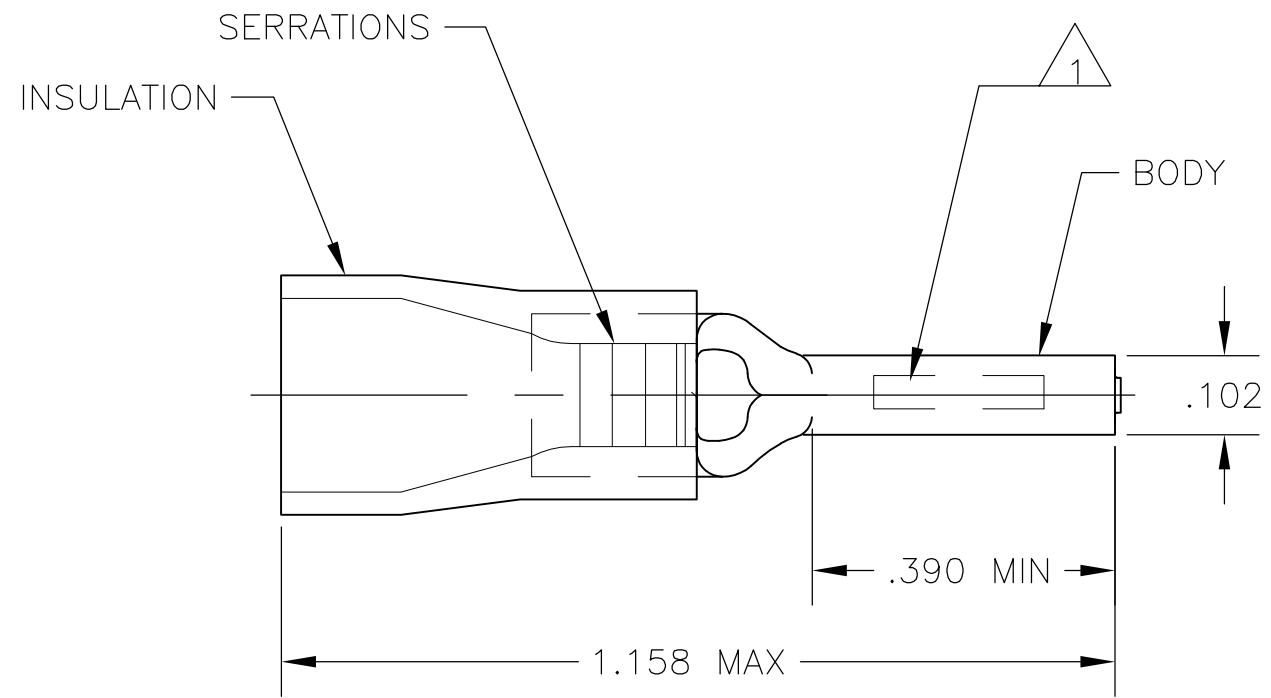
2

1

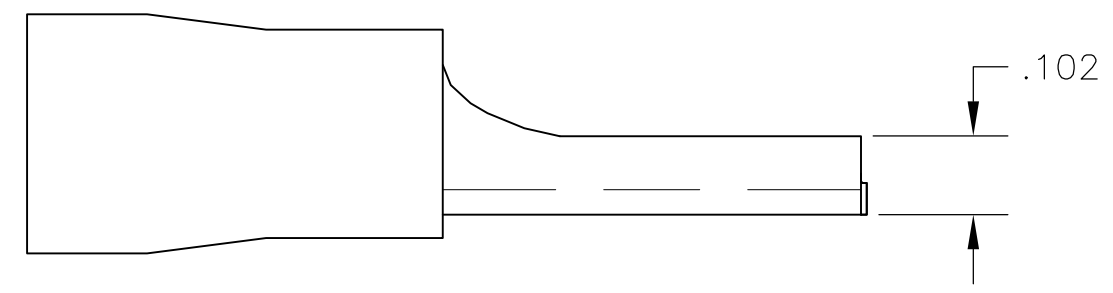
THIS DRAWING IS UNPUBLISHED. RELEASED FOR PUBLICATION  
 © COPYRIGHT - By - ALL RIGHTS RESERVED.

LOC	DIST	REVISIONS			
P	LTR	DESCRIPTION	DATE	DWN	APVD
G	14	C4	REVISED PER ECO-15-009497	02JUL2015	NK DR


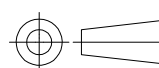

<b>AMP</b> WIRE RANGE	 FILE E13288
12-10 AWG STRANDED	12-10 AWG STRANDED



- 1 STAMP AMP 12-10\* APPROX AS SHOWN.
- 2 WIRE INSULATION DIA: .150-.250.
- 3 TONGUE MATERIAL THK: .039±.002.
- 4 MATERIAL: BODY - CU PER ASTM B152  
SLEEVE - PVC, COLOR - YELLOW.
- 5 NOTE DELETED.



2000	ON TAPE	2-165085-1
500	LOOSE PIECE	165085
QTY	PACKAGE TYPE	PART NO.

<b>AMP INCORPORATED</b> CUSTOMER SERVICE SYSTEMS		MAX RECOMMENDED OPERATING TEMPERATURE: 105°C [221°F]	THIS DRAWING IS A CONTROLLED DOCUMENT.		DWN JR RUTH 23MAR07	 TE Connectivity				
FOR ADDITIONAL PRODUCT INFORMATION OR COPIES OF DRAWINGS AND TECHNICAL DOCUMENTS	PRODUCT INFORMATION CENTER 1-800-522-6752	VOLTAGE RATING: 600 V MAX	DIMENSIONS: INCHES	TOLERANCES UNLESS OTHERWISE SPECIFIED:	CHK T MICHELUTTI 23MAR07				NAME TERMINAL, WIRE PIN, PLASTI-GRIP WIRE SIZE 12-10 AWG	
FOR APPLICATION TOOLING INFORMATION	TOOLING ASSISTANCE CENTER 1-800-722-1111	CIRCULAR MIL AREA: 2.62-6.64mm <sup>2</sup> [5,180-13,100] STRANDED		0 PLC ± - 1 PLC ± - 2 PLC ± .008 3 PLC ± - 4 PLC ± - ANGLES ± -	APVD T MICHELUTTI 23MAR07	PRODUCT SPEC	SIZE	CAGE CODE	DRAWING NO	RESTRICTED TO
FOR ORDER ENTRY	1-800-526-5142		MATERIAL 	FINISH TIN PER ASTM B545	PRODUCT SPEC	NOT AVAILABLE	A3	00779	C-165085	-
CUSTOMER DRAWING						SCALE	4:1	SHEET	1 OF 1	REV C4