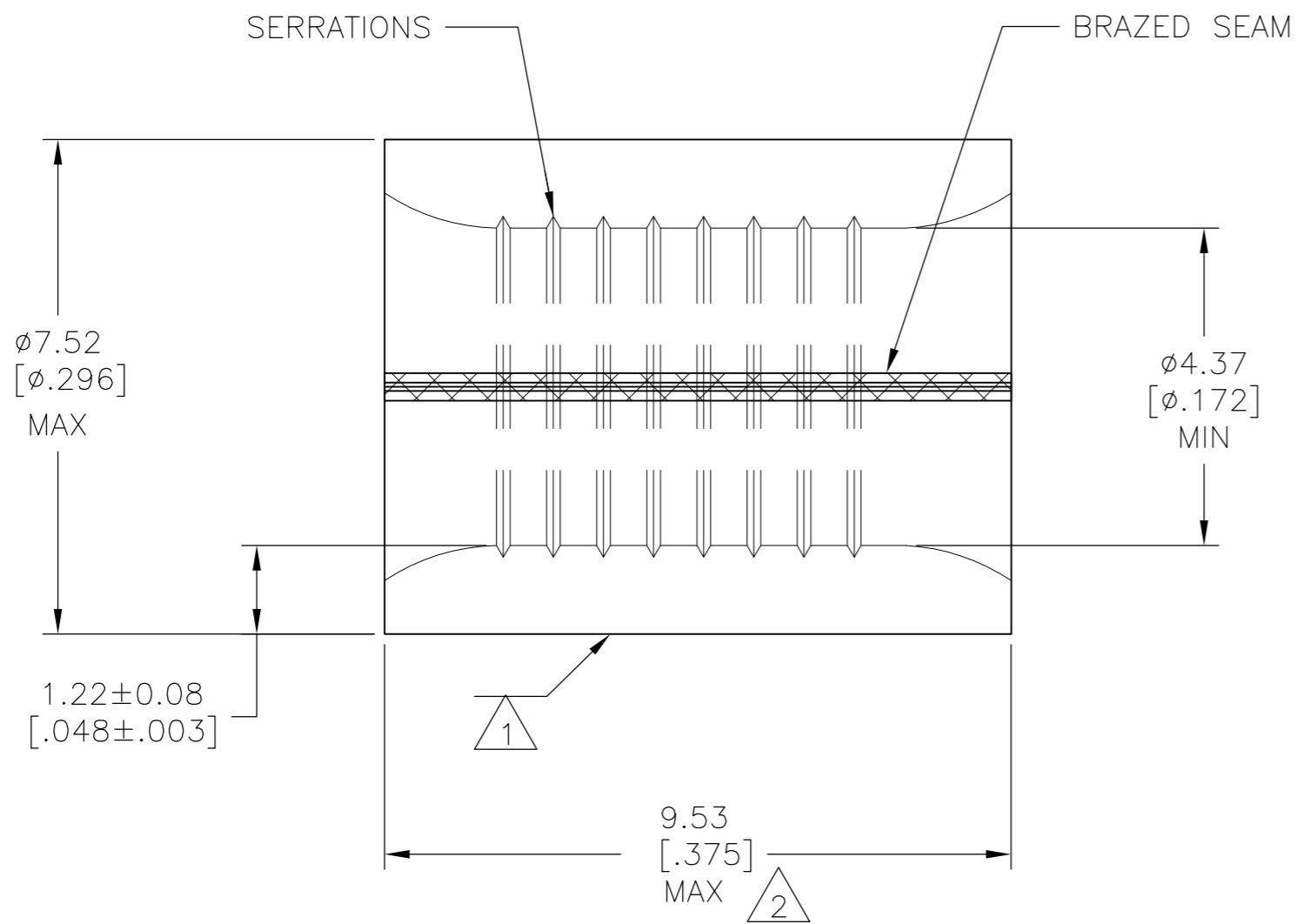


THIS DRAWING IS UNPUBLISHED. RELEASED FOR PUBLICATION
 © COPYRIGHT - By - ALL RIGHTS RESERVED.

LOC	DIST	REVISIONS					
		P	LTR	DESCRIPTION	DATE	DWN	APVD
G	14		L3	REVISED PER ECO-11-013501	30JUN11	HMR	DR

AMP
WIRE RANGE

8 AWG
SOLID OR STRANDED



- 1 STAMP AMP 8W* APPROX AS SHOWN
- 2 MAXIMUM LENGTH DOES NOT INCLUDE MANUFACTURING TABS
- 3 COPPER PER ASTM B-152 ANNEALED
- 4 UL LISTED E13288, 8 AWG STRANDED.
- 5 CSA CERTIFIED LR7189, 8 AWG SOLID OR STRANDED
- 6 TIN PLATE 0.00254[.000100] MIN THK PER ASTM B545
- 7 NICKEL PLATE 0.01651[.000650] MIN THK PER SAE AMS QQ-N-290
- 8 TIN/LEAD (60/40) PLATE, 0.00254 [.000100] MIN THK PER SAE-AMS-P-81728
- 9 GOLD PLATE 0.00127[.000050] MIN EXT THK PER ASTM B488 TYPE 1, CODE C OVER NICKEL PLATE 0.00127[.000050] MIN EXT THK PER SAE AMS QQ-N-290 OVER Cu FLASH PER SAE AMS 2418
- 10 NOTE DELETED.

4 5	25	LOOSE PIECE	170°C[338°F]	6	8-34318-3
4 5	1000	LOOSE PIECE	170°C[338°F]	6	2-34318-3
---	100	LOOSE PIECE	343°C[650°F]	7	2-34318-1
---	100	LOOSE PIECE	260°C[500°F]	9	34318-3
---	100	LOOSE PIECE	170°C[338°F]	8	34318-1
4 5	500	LOOSE PIECE	170°C[338°F]	6	34318
APPROVALS	QTY	PACKAGE TYPE	MAX OPERATING TEMP	FINISH	PART NO
THIS DRAWING IS A CONTROLLED DOCUMENT.			DWN TA BRINKMAN 4-5-93		
			CHK DA PATTERSON 4-5-93		
			APVD DA PATTERSON 4-5-93		
			PRODUCT SPEC		
DIMENSIONS: mm [INCHES]		TOLERANCES UNLESS OTHERWISE SPECIFIED:		NAME SPLICE, PARALLEL, SOLISTRAND	
		0 PLC ± -		SIZE A2	
		1 PLC ± -		CAGE CODE 00779	
		2 PLC ± -		DRAWING NO C=34318	
		3 PLC ± -		RESTRICTED TO -	
4 PLC ± -		4 PLC ± -		WEIGHT -	
4 ANGLES ± -		FINISH SEE TABLE		SCALE 10:1 SHEET 1 OF 1 REV L3	
MATERIAL - 3		CUSTOMER DRAWING			

AMP INCORPORATED		MAX RECOMMENDED OPERATING TEMPERATURE: SEE TABLE
CUSTOMER SERVICE SYSTEMS		
FOR ADDITIONAL PRODUCT INFORMATION OR COPIES OF DRAWINGS AND TECHNICAL DOCUMENTS	PRODUCT INFORMATION CENTER 1-800-522-6752	VOLTAGE RATING: N/A
FOR APPLICATION TOOLING INFORMATION	TOOLING ASSISTANCE CENTER 1-800-722-1111	CIRCULAR MIL AREA: 6.64-10.5mm²[13,100-20,800] SOLID OR STRANDED
FOR ORDER ENTRY	1-800-526-5142	THIS DRAWING IS A CONTROLLED DOCUMENT FOR AMP INCORPORATED. IT IS SUBJECT TO CHANGE AND THE CONTROLLING ENGINEERING ORGANIZATION SHOULD BE CONTACTED FOR THE LATEST REVISION.