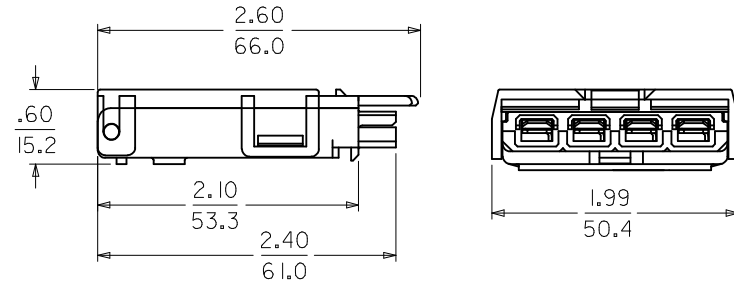
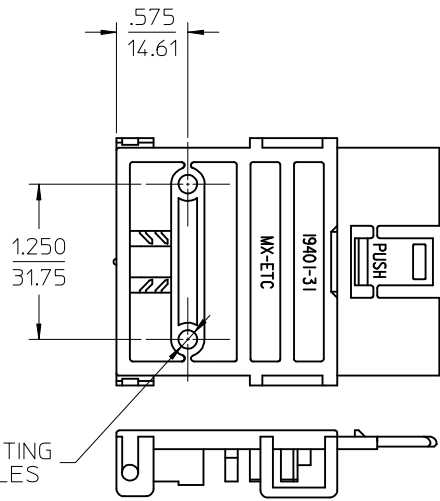


10	9
MATERIAL NO. 194011000	ENGINEERING P/N COC-2

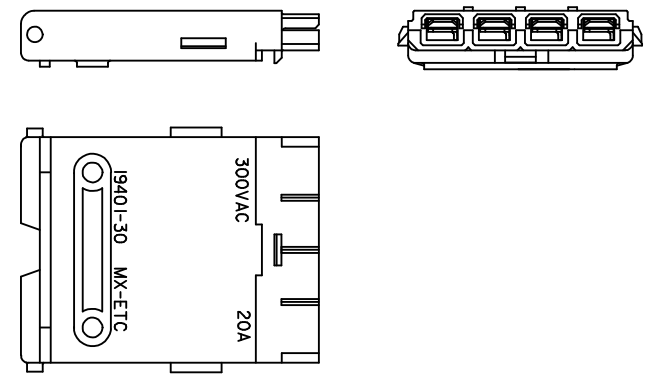
19401



ASSEMBLED VIEW



STRAIN RELIEF COVER, CLEAR  
194013110



HOUSING ASSEMBLY 194012010,  
CONTAINING HOUSING, NATURAL, 194013010

NOTES:

- PARTS ARE PACKAGED 50 UNITS PER CONTAINER.
- REF: UL FILE NO. E182087, CSA FILE NO. LR18689.
- PARTS ARE ROHS COMPLIANT.

<b>CHG HSG&amp;CVR P/N'S</b> EC NO: WNAZ009-0564 DRW: WETHRODAHL 2009/05/22 CHKD: JMACNEIL 2009/05/22 APPR: JMACNEIL 2009/05/22	QUALITY SYMBOLS ▽=0 ▽=0	GENERAL TOLERANCES (UNLESS SPECIFIED)		DIMENSION STYLE <b>IN/MM</b>		SCALE <b>1:1</b>	DESIGN UNITS <b>INCH</b>	THIRD ANGLE PROJECTION			
		4 PLACES ± --- ± ---	mm INCH	DRAWN BY DAY	DATE 1997/09/03	TITLE <b>CUSTOMER DRAWING COC-2          SC CONNECTOR ASSEMBLY          14-12AWG SOLID 3/C+GRD</b>					
		3 PLACES ± --- ± .005		CHECKED BY RWD	DATE 1997/09/03	<b>MOLEX INCORPORATED</b>					
		2 PLACES ± 0.13 ± .01		APPROVED BY RWD	DATE 1997/09/03	MATERIAL NO. <b>SEE CHART</b>	DOCUMENT NO. <b>SD-19401-1000</b>	SHEET NO. <b>1 OF 1</b>			
		1 PLACE ± 0.25 ± ---		ANGULAR ± ---°		THIS DRAWING CONTAINS INFORMATION THAT IS PROPRIETARY TO MOLEX INCORPORATED AND SHOULD NOT BE USED WITHOUT WRITTEN PERMISSION					
DRAFT WHERE APPLICABLE MUST REMAIN WITHIN DIMENSIONS											