

8 7 6 5 4 3 2 1

THIS DRAWING IS THE PROPERTY OF ANALOG DEVICES INC. IT IS NOT TO BE REPRODUCED OR COPIED, IN WHOLE OR IN PART, OR USED IN FURNISHING INFORMATION TO OTHERS, OR FOR ANY OTHER PURPOSE DETRIMENTAL TO THE INTERESTS OF ANALOG DEVICES. THE EQUIPMENT SHOWN HEREON MAY BE PROTECTED BY PATENTS OWNED OR CONTROLLED BY ANALOG DEVICES.

RELAY CONTROL CHART

CONTROL	CODE	DEVICE	FUNCTION	CONNECTOR

JUMPER TABLE

JP#	ON	OFF
1		
2		
3		
4		
5		

* SEE ASSEMBLY INSTRUCTIONS

REVISIONS

REV	DESCRIPTION	DATE	APPROVED
A	INITIAL RELEASE	12MAR14	A. MAHAFFEY

D

D

C

C

B

B

A

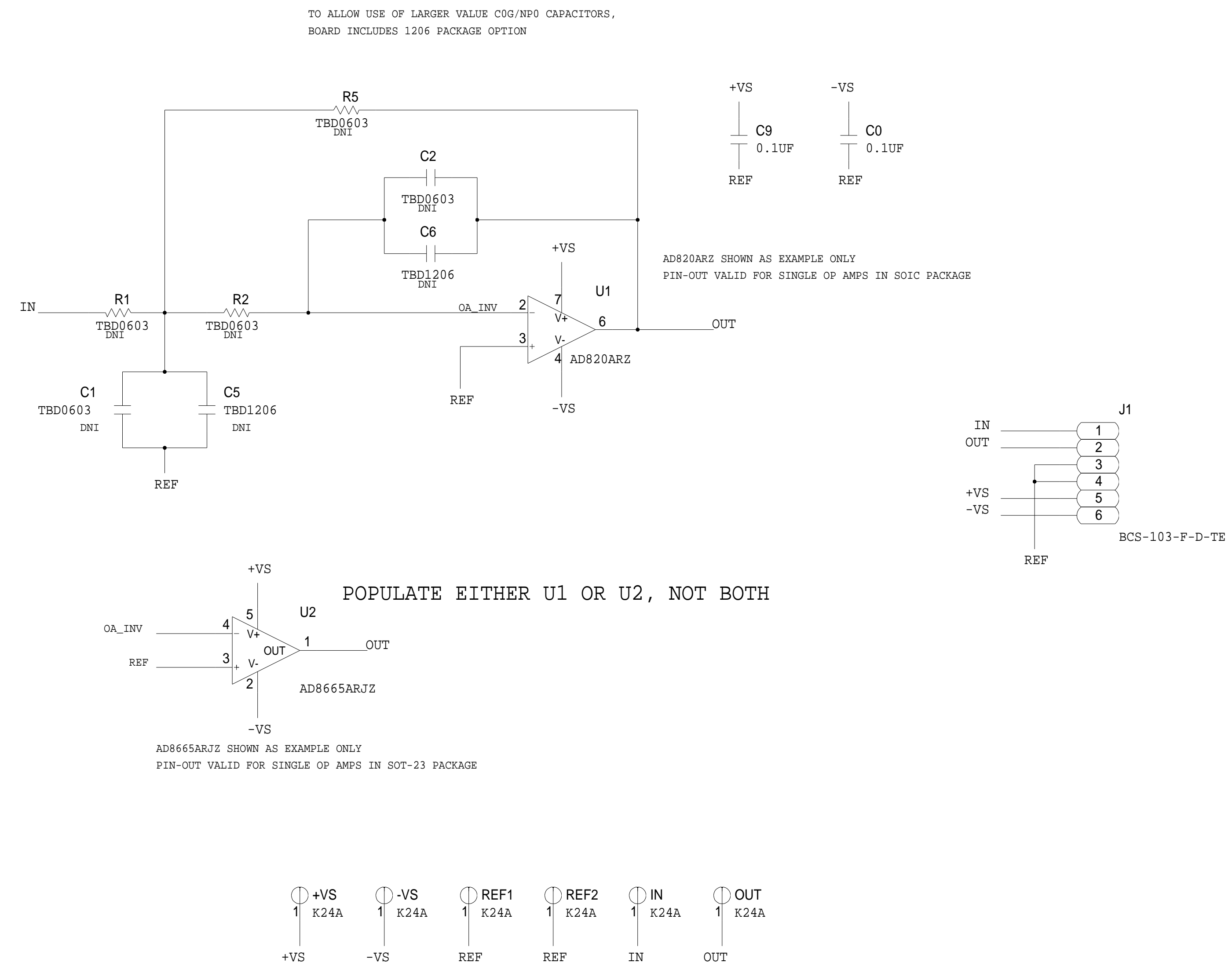
A

P.O SPEC.	BK/BD SPEC.	SOCKET OEM	OEM PART#	HANDLER

TEMPLATE ENGINEER G. CELEDONIO HARDWARE SERVICES R. MACDONALD HARDWARE SYSTEMS J. KEANE TEST ENGINEER ----- COMPONENT ENGINEER G. CELEDONIO TEST PROCESS ----- HARDWARE RELEASE ----- DESIGNER J. ONDAP PTD ENGINEER A. MAHAFFEY CHECKER -----	DATE 12MAR14 12MAR14 12MAR14 12MAR14 ----- 12MAR14 12MAR14 -----	<h2 style="margin: 0;">SCHEMATIC</h2> <p>HW TYPE : Customer Evaluation Z Product(s): AD820 : NA PACKAGE : PinCount-lead N/A Package-family : Pitch-pitch StyleVendor Style</p> <p><User Define> <User Define> <User Define></p>	
MASTER PROJECT TEMPLATE TBD		TESTER TEMPLATE no_template	
		DRAWING NO. <h3 style="margin: 0;">02_038253</h3>	
		REV. <h3 style="margin: 0;">A</h3>	
UNLESS OTHERWISE SPECIFIED DIMENSIONS ARE IN INCHES TOLERANCES DECIMALS FRACTIONS ANGLES X.XX +-0.010 +-1/32 +-2 X.XXX +-0.005		SIZE D	SCALE 1:1
		CODE ID NO. CodeID	SHEET 1 OF 2

REVISIONS			
REV	DESCRIPTION	DATE	APPROVED

MULTIPLE FEEDBACK LOW PASS FILTER STAGE FOR SINGLE OP AMPS



	SCHEMATIC		
	HW TYPE : Customer Evaluation Z Product(s): AD820 : NA		
DESIGN VIEW <DESIGN_VIEW>	DRAWING NO. 02_038253	REV A	
PTD ENGINEER A. MAHAFFEY	SIZE D	SCALE 1:1	SHEET 2 OF 2