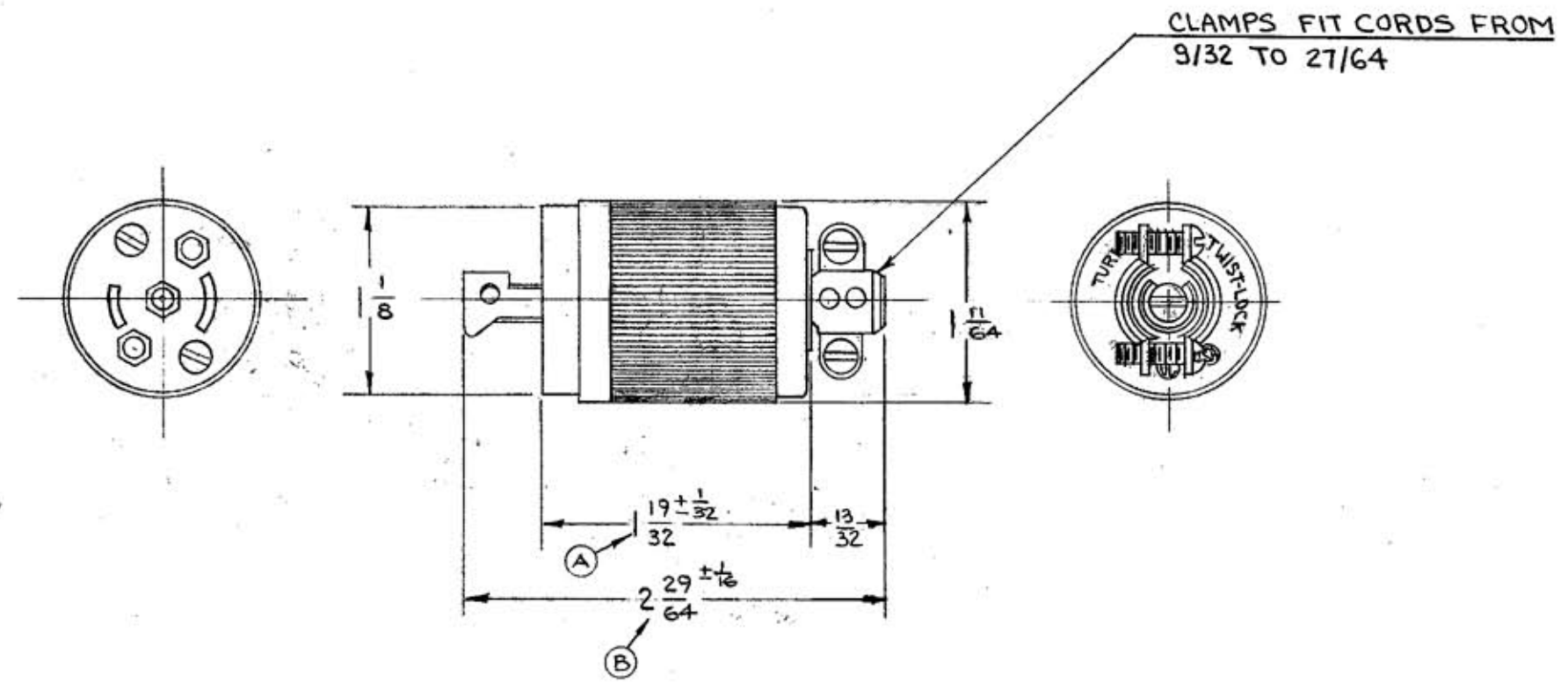


M-4463



| LIST OF PARTS | | |
|---------------------|------------|------------|
| DESCRIPTION | MATERIAL | FINISH |
| BODY | BAKELITE | BLACK |
| GR. CONTACT SLEEVE | BRASS | |
| BASE | NYLON | BLACK |
| CONTACT BLADES | .060 BRASS | 1 WHITE |
| BINDING SCREWS | BRASS | 1 WHITE |
| INSULATORS | .031 NYLON | NATURAL |
| CORD CLAMPS | .040 STEEL | BLACK OX. |
| ROUND HD. SCREWS | STEEL | BLACK OX. |
| FILISTER HD. SCREWS | STEEL | ZINC PLATE |
| | | |
| | | |
| | | |
| | | |
| | | |

DIMENSION SHEET FOR CAT. NO. 7594

REPAIRABLE NON-REPAIRABLE

| SYM | REVISIONS | APP | DATE |
|-----|---|-----|-------------|
| 2 | ADDED RD. HD. & FILISTER HD. SCREWS, INSULATOR WAS VUL. FB. SEE DCN. # 1258 | CJC | 6-19-92 AJL |
| 1 | DIM. A WAS 53/64 B WAS 1 1/16 | | 5-4-83 HSM |

B
M-4463

TITLE
15-A 125-V THREE-WIRE GROUNDING MIDGET
TWIST-LOCK CAP WITH CORD GRIPS

| | | | |
|---------------------------------------|--|----------------------|--------------|
| TOLERANCES UNLESS OTHERWISE SPECIFIED | | HARVEY HUBBELL, INC. | |
| FRACTIONS ± 1/64 | | BRIDGEPORT, CONN. | |
| DECIMALS ± .005 | | DR. BY RDT | APP. BY |
| ANGLES ± 2° | | TR. BY | SCALE FULL |
| | | CHK'D. BY A.S.M. | DATE 5-13-66 |