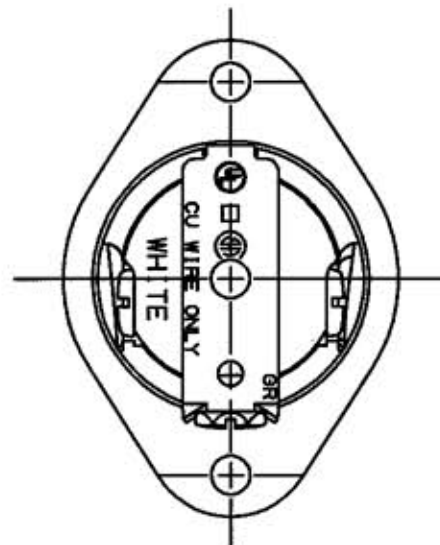
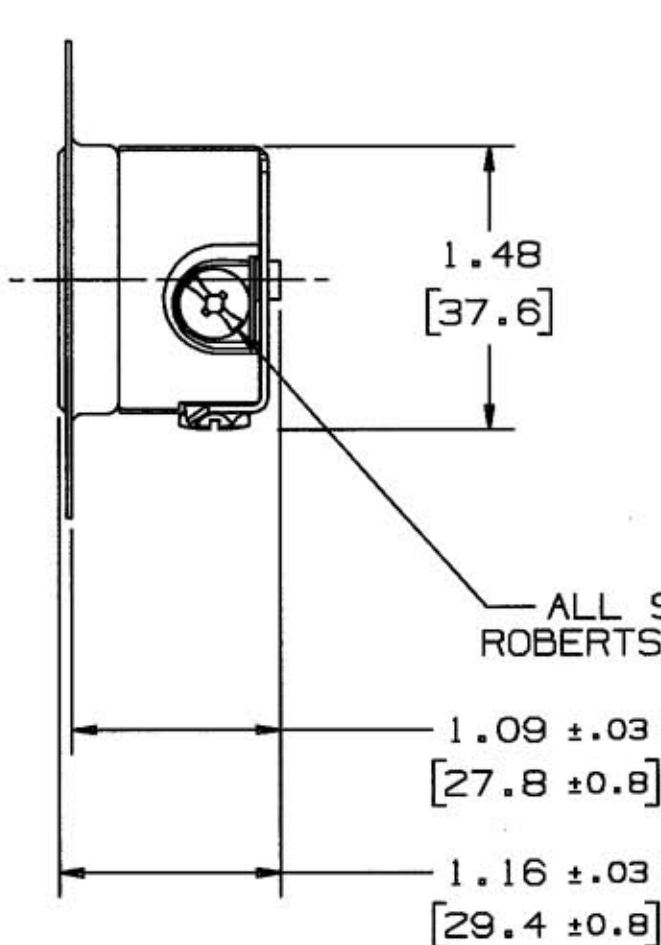
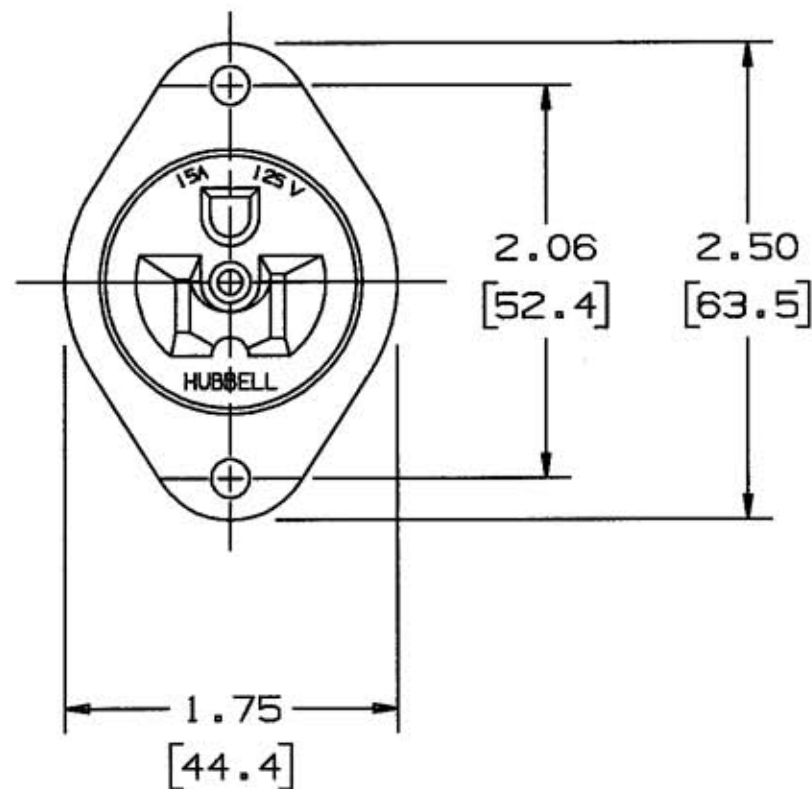


M-3248 11



ALL SCREWS ARE COMBINATION ROBERTSON/PHILLIPS/SLOTTED HEAD

NOTES: (UNLESS OTHERWISE SPECIFIED)

1) DIMENSION FORMAT IS: INCHES [ mm ]

2) DIMENSIONS SHOWN ON THIS DRAWING ARE NOMINAL VALUES FOR GENERAL USE ONLY. ACTUAL PART TOLERANCES MUST BE OBTAINED FROM HUBBELL ENGINEERING.

LIST OF PARTS

DESCRIPTION	MATERIAL	FINISH
BODY	UREA	BROWN
CONTACT SPRINGS	.031 BRONZE	
GROUND SPRING	.031 BRONZE	
#8-32 BIND. SCREWS	BRASS	
RIVET	BRASS	
INSULATOR	LAMINATED PHENOLIC	
CASING	BRASS	NICKEL PLATE
STRAP	.040 C.R.S.	ZINC PLATE
#8-32 HEX HD. BIND. SCR.	BRASS	GREEN

SUPERSEDES DRAWING DATED 7-8-91

SYM	REVISIONS	APP	DATE
11	IN LIST OF PARTS, BODY MATERIAL "UREA" WAS "PHENOLIC"; REMOVED RIBBED AREAS FROM L.H. VIEW PER DCN #12582. JMN	TJV	9/14/06
10	REVISED SCREW HEADS TO TRI-DRIVE, REVISED NOTE TO INCLUDE ROBERTSON PER DCN #10405 RCM	DVB	5/29/03
9	REDRAWN WITH CHANGES; ADDED CALLOUT; COMBO HD. SCREW WAS SLOTTED; "HBL5256" WAS "5256"; DUAL DIMENSIONS WERE FRACTIONAL ONLY; ADDED NOTES 1 & 2; REVISED DRAWING TITLE; PER DCN #8882. JMN	TCM JNC	1/3/02

THE DESIGN AND DIMENSIONS OF THE PRODUCT SHOWN ON THIS DRAWING ARE SUBJECT TO CHANGE WITHOUT NOTICE

TITLE  
FLANGED RECEPTACLE  
3 WIRE 15A, 125V, AC OR DC GROUNDING  
NEMA #5-15R

TOLERANCES UNLESS OTHERWISE SPECIFIED FRACTIONS ± 1/64 DECIMALS ± .005 ANGLES ± 2°	WIRING DEVICE-KELLEMS HUBBELL INCORPORATED BRIDGEPORT, CT	
	DR. BY A.J.L.	APP. BY
	TR. BY J.M.N.	SCALE 1:1
	CHK'D BY	DATE 6/27/00

DIMENSION SHEET FOR CAT. NO. HBL5256

REPAIRABLE

NON-REPAIRABLE

B

M-3248

11