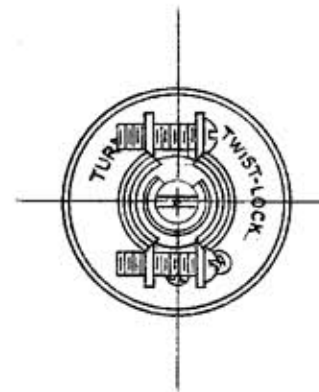
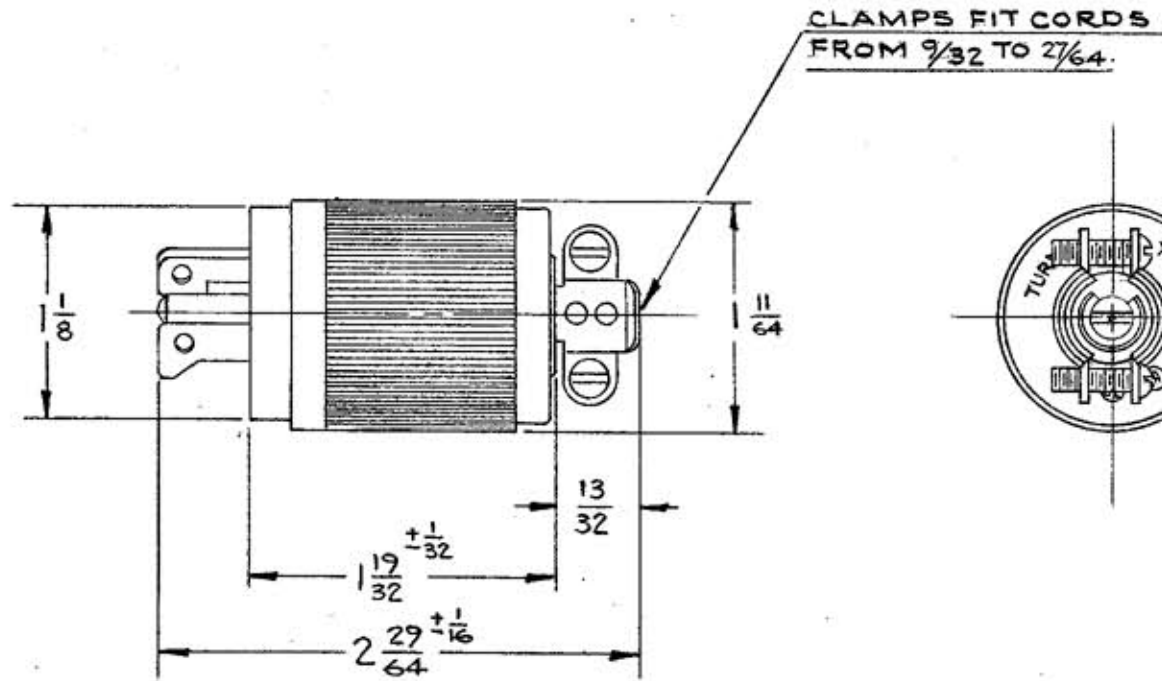
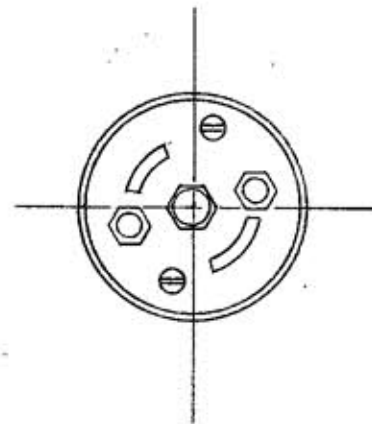


M-1828



LIST OF PARTS

DESCRIPTION	MATERIAL	FINISH
BODY	BAKELITE	BLACK
BASE	NYLON	BLACK
CONTACT BLADES	.060 BRASS	
INSULATOR	.031 NYLON	NATURAL
CORD CLAMP	.040 CRS	BLACK OX.
BINDING SCREWS	BRASS	
ROUND HEAD SCREWS	STEEL	BLACK OX.
FILISTER HEAD SCREWS	STEEL	ZINC PLATE

DIMENSION SHEET FOR CAT. NO. 7485

REPAIRABLE NON-REPAIRABLE

SYM	REVISIONS	APP	DATE
3	ADDED RD. HD. & FILISTER HD. SCREWS. INSULATOR WAS VUL. FIB. SEE D.C.N. #1258.	6JC	6-18-92 AJL
2	REVISED & REDRAWN		5-5-83 ASM

B M-1828

SUPERSEDES DWG. DATED 5-11-66

TITLE
 15A. 125/250 V. 3 WIRE POLARIZED
 MIDGET TWIST-LOCK
 MALE BAKELITE CAP

TOLERANCES UNLESS OTHERWISE SPECIFIED		HARVEY HUBBELL, INC.	
BRIDGEPORT, CONN.			
FRACTIONS ± 1/64	DR. BY ASM	APP. BY	
DECIMALS ± .005	TR. BY	SCALE 1=1	
ANGLES ± 2°	CHK'D. BY	DATE 5-5-83	