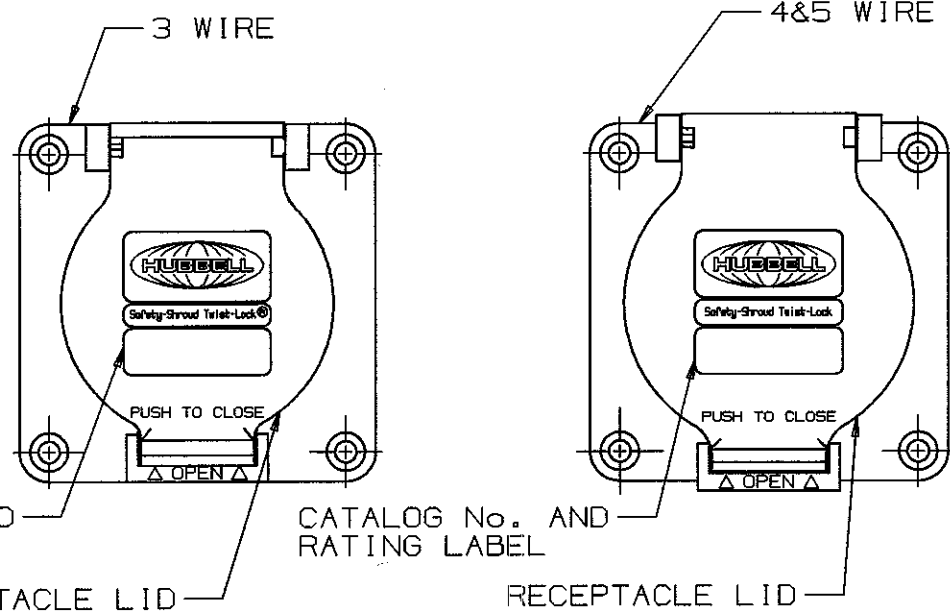
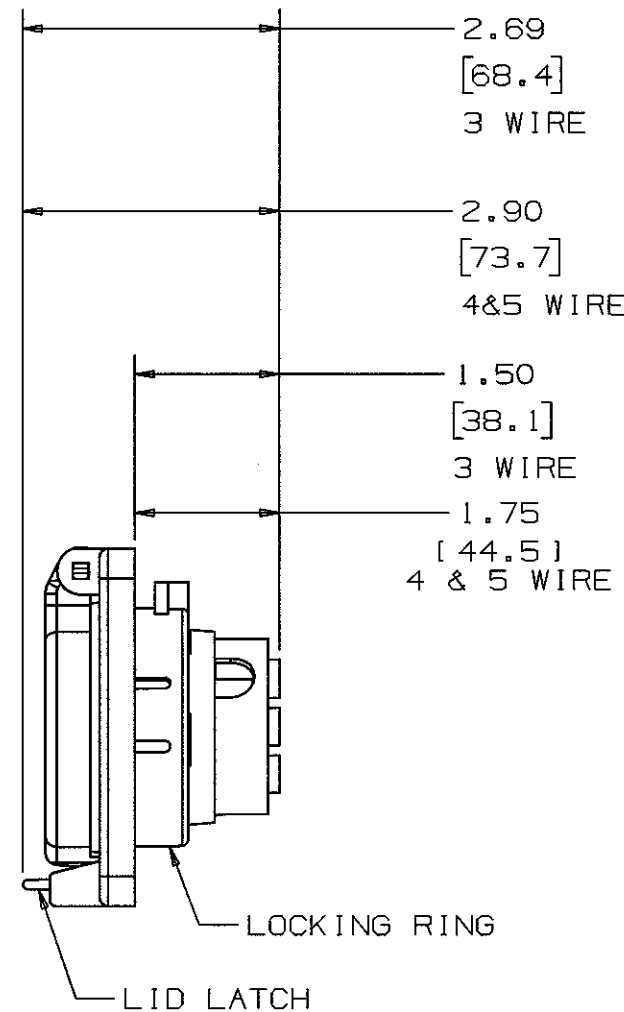
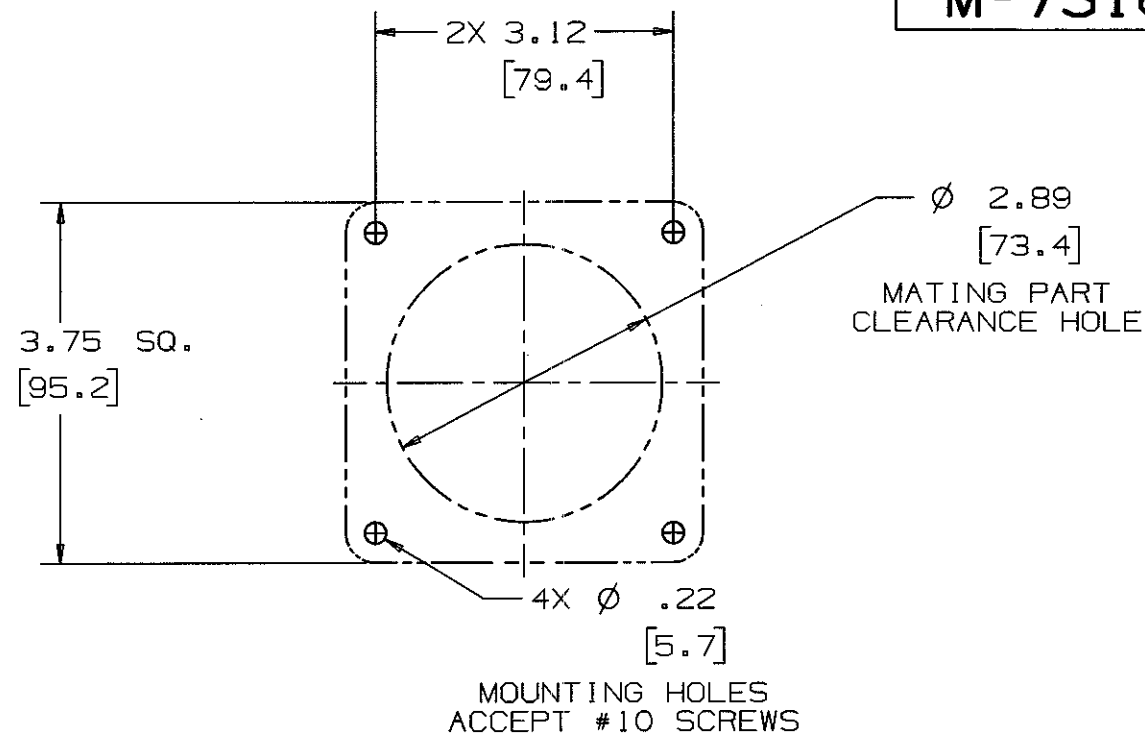


M-7316

6

NOTES: (UNLESS OTHERWISE SPECIFIED)

1) DIMENSIONS ARE: INCHES [MM]



CATALOG No. AND RATING LABEL

CATALOG No. AND RATING LABEL

RECEPTACLE LID

RECEPTACLE LID

U.L. LISTED
CSA CERTIFIED

	RECEPTACLE ¹	CONFIGURATION RATING	MATING ¹ PLUG	MATING NEMA PLUG ²		IEC COLOR CODE
	CATALOG #		CATALOG #	NEMA #	HUBBELL	
3 WIRE	HBL2310SW	20A 125V	HBL2311SW	L5-20P	2311	YELLOW
	HBL2320SW	20A 250V	HBL2321SW	L6-20P	2321	BLUE
	HBL2330SW	20A 277VAC	HBL2331SW	L7-20P	2331	GRAY
4 WIRE	HBL2410SW	20A 125/250V	HBL2411SW	L14-20P	2411	ORANGE
	HBL2420SW	20A 250V 3Ø	HBL2421SW	L15-20P	2421	BLUE
	HBL2430SW	20A 480V 3Ø	HBL2431SW	L16-20P	2431	RED
5 WIRE	HBL2510SW	20A 120/208V 3ØY	HBL2511SW	L21-20P	2511	BLUE
	HBL2610SW	30A 125V	HBL2611SW	L5-30P	2611	YELLOW
3 WIRE	HBL2620SW	30A 250V	HBL2621SW	L6-30P	2621	BLUE
	HBL2710SW	30A 125/250V	HBL2711SW	L14-30P	2711	ORANGE
4 WIRE	HBL2720SW	30A 250V 3Ø	HBL2721SW	L15-30P	2721	BLUE
	HBL2730SW	30A 480V 3Ø	HBL2731SW	L16-30P	2731	RED
	HBL2740SW	30A 600V 3Ø	HBL2741SW	L17-30P	2741	BLACK
5 WIRE	HBL2810SW	30A 120/208V 3ØY	HBL2811SW	L21-30P	2811	BLUE
	HBL2830SW	30A 347/600V 3ØY	HBL2831SW	L23-30P	2831	BLACK

¹TYPES 4, 4X, 12 WHEN CLOSED OR CONNECTED ²TYPES 1 WHEN CONNECTED

LIST OF PARTS

DESCRIPTION	MATERIAL	FINISH
RECEPTACLE	PBTP	
HOUSING, LID,	PBTP	
LOCKING RING	PBTP	
GASKET	CBR	
DRIVE SCREW	STEEL	ZINC PLATED
SCREWS	SST	

SYM	REVISIONS	APP	DATE
6	ADDED HBL2830SW TO TABLE PER DCN 15166 RCM	DJP	9/24/08
5	ADDED DRIVE SCREW TO LIST OF PARTS, NOTE 1 AND DUAL DIMENSIONING; "SST" WAS "302 SS". REMOVED ±.015 FROM ALL DIM.'S. ALL INCH DIM.'S WERE THREE PLACE DECIMALS PER DCN #13355. JMN	DJP	1/23/07
4	CHANGED DIMENSION FROM Ø3.100-±.015 TO Ø2.890±.015 PER DCN 8855 CAC	CAC	8/3/01
3	CONVERTED ALL DIMS TO 3 PL DECIMAL AND ADDED TOL PER DCN #7772. AMZ	DB	8/18/00
2	RELEASED FOR PRODUCTION; ADDED UL LISTED & CSA CERTIFIED TO DWG; ADDED "CATALOG No. AND" TO "RATING LABEL"; APPENDED TABLE PER DCN #3070 DJG	JCA	11/16/94
1	RELEASED 2777-9	JCA	10/11/94

THE DESIGN AND DIMENSIONS OF THE PRODUCT SHOWN ON THIS DRAWING ARE SUBJECT TO CHANGE WITHOUT NOTICE

TITLE SAFETY-SHROUD™
TWIST-LOCK®
RECEPTACLES

TOLERANCES UNLESS OTHERWISE SPECIFIED	WIRING DEVICE-KELLEMS HUBBELL INCORPORATED BRIDGEPORT, CT	
FRACTIONS ± 1/64	DR. BY EEM	APP. BY JCA
DECIMALS ± .005	TR. BY	SCALE 1/2
ANGLES ± 2°	CHK'D BY JCA	DATE 10/5/94

DIMENSION SHEET FOR CAT. NO.

REPAIRABLE

NON-REPAIRABLE

B

M-7316

