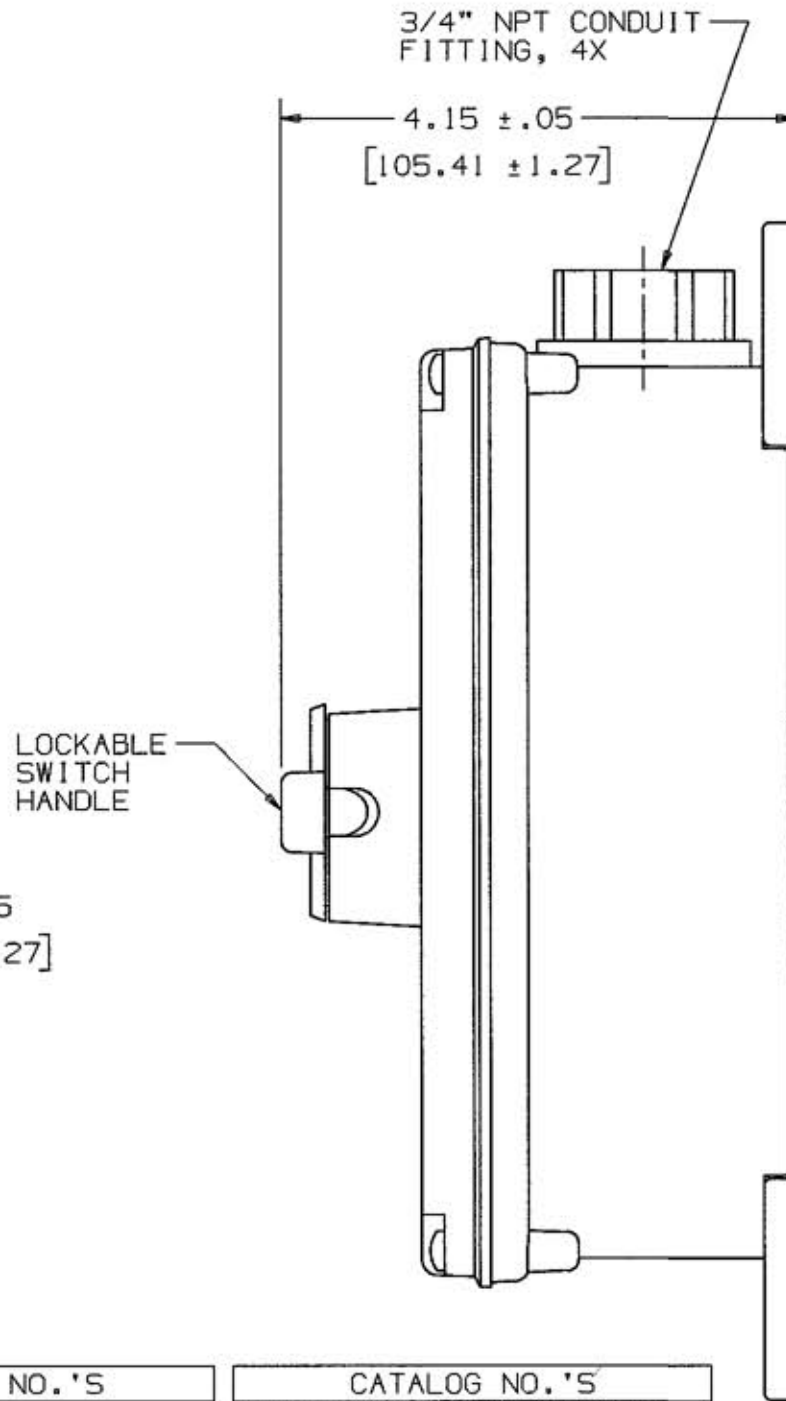
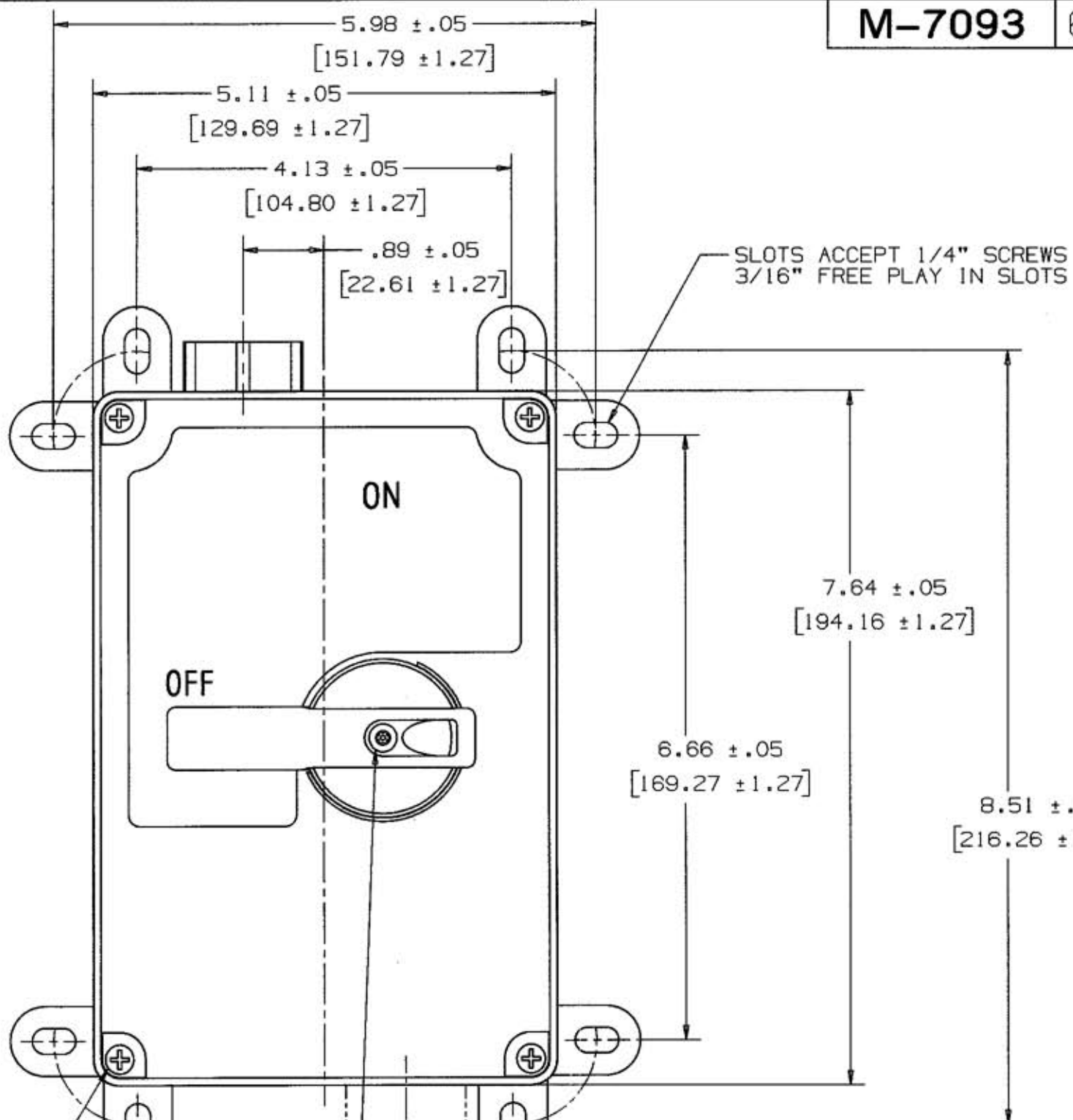


M-7093

6



CATALOG NO.'S	
HBLDS3	
HBLDS3AC (AUXILIARY CONTACT)	
HBLDS3NK (No Knockouts)	
30 AMP 600V A.C. RATINGS	
HP	VOLTAGE
1 HP	120V AC 1 ∅
3 HP	200-240V AC 1 ∅
5 HP	480V AC 1 ∅
7.5 HP	200-240V AC 3 ∅
15 HP	480V AC 3 ∅
15 HP	600V AC 3 ∅

CATALOG NO.'S	
HBLDS33ACNK (3 AUX. CONTACT)	
30 AMP 600V A.C. RATINGS	
HP	VOLTAGE
1 HP	120V AC 1 ∅
2.5 HP	220-277V AC 1 ∅
5 HP	480V AC 1 ∅
5 HP	208-240V AC 3 ∅
10 HP	480V AC 3 ∅
10 HP	600V AC 3 ∅

LIST OF PARTS		
DESCRIPTION	MATERIAL	FINISH
ALL EXTERNAL PLASTIC PARTS	UV STABILIZED POLYESTER/POLYCARBONATE BLEND	
FRAME	GALVANIZED STEEL	
ALL EXTERNAL SCREWS AND HARDWARE	STAINLESS STEEL	
CONDUIT HUB	ZINC	

REV	DESCRIPTION	APP	DATE
6	ADDED CAT. NO. HBLDS3NK DCN #14639 WRV	WRV	2/22/08
5	ADDED RATING TABLE PER DCN #14262 MJM	TLS	9/20/07
4	REVISED RATING TABLE PER DCN #13625 RCM	TLS	1/26/07
3	ADDED ADDITIONAL CAT. NO. "HBLDS33ACNK" PER DCN #12237 WVR	WVR	6/1/05
2	CONVERTED ALL DIMS TO 2 PL DECIMAL, ADDED TOL AND TABLE PER DCN #7793 AMZ	DB	7/27/00
1	RELEASED PER DCN #1576	JCA	11/24/92
SYM	REVISIONS	APP	DATE

THE DESIGN AND DIMENSIONS OF THE PRODUCT SHOWN ON THIS DRAWING ARE SUBJECT TO CHANGE WITHOUT NOTICE

TITLE
CIRCUIT-LOCK™
DISCONNECT SWITCH

TOLERANCES UNLESS OTHERWISE SPECIFIED	WIRING DEVICE-KELLEMS HUBBELL INCORPORATED BRIDGEPORT, CT	
FRACTIONS ± 1/64	DR. BY PG	APP. BY WRV
DECIMALS ± .005	TR. BY	SCALE
ANGLES ± 2°	CHK'D BY WRV	DATE 11/11/92

CODE 74545

DIMENSION SHEET FOR CAT. NO. M-7093
 REPAIRABLE NON-REPAIRABLE B