

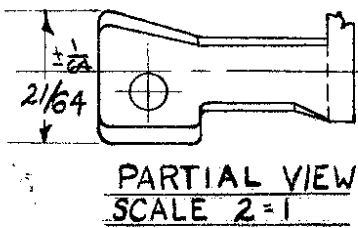
STYLE

MISC.-3004

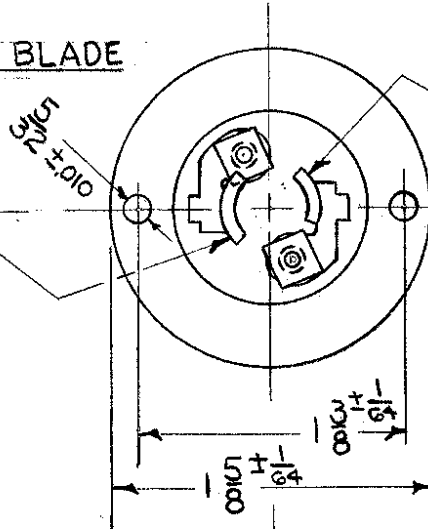
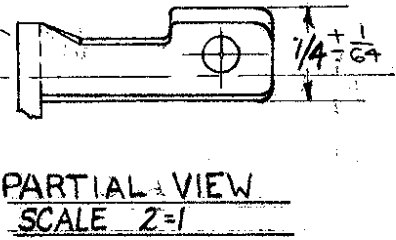
TITLE DIMENSION SHEET (CAT. 7467) 2 WIRE TWIST-LOCK

FIRST MADE FOR CAT. 3.55

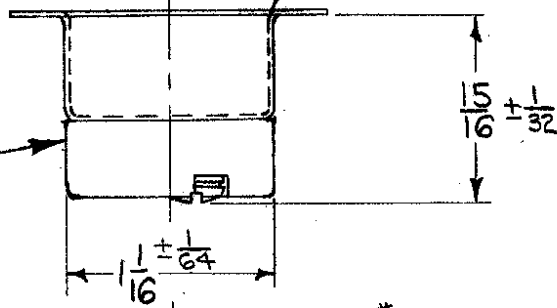
POLARIZED CONTACT BLADE
WHITE COLOR



CONTACT BLADE
BRASS COLOR

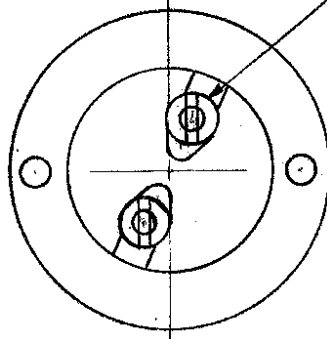


.025 BRASS, NICKEL PLATED



PHENOLIC BASE
HELD TO CASING
WITH TWO RIVETS

#5-40 BRASS BIND. SCREWS
ONE - NO FINISH
ONE - NICKEL FINISH



USED AS STYLE NO. ON NOS.

USED IN ASSEMBLY NOS.

MATERIAL

HARVEY HUBBELL, INC. BRIDGEPORT, CONN.

DR. BY P.C.T.

APP. BY

TR. BY

SCALE 1 1/2 = 1

CHK'D BY A.S.

DATE 2-2-55

9-20-56 NOTES & TOLERANCES ADDED
(2) 2-13-92 BASE WAS PHENOLIC, ONE BINDING
SCREW WAS ZINC FINISH. T.M.N. CB