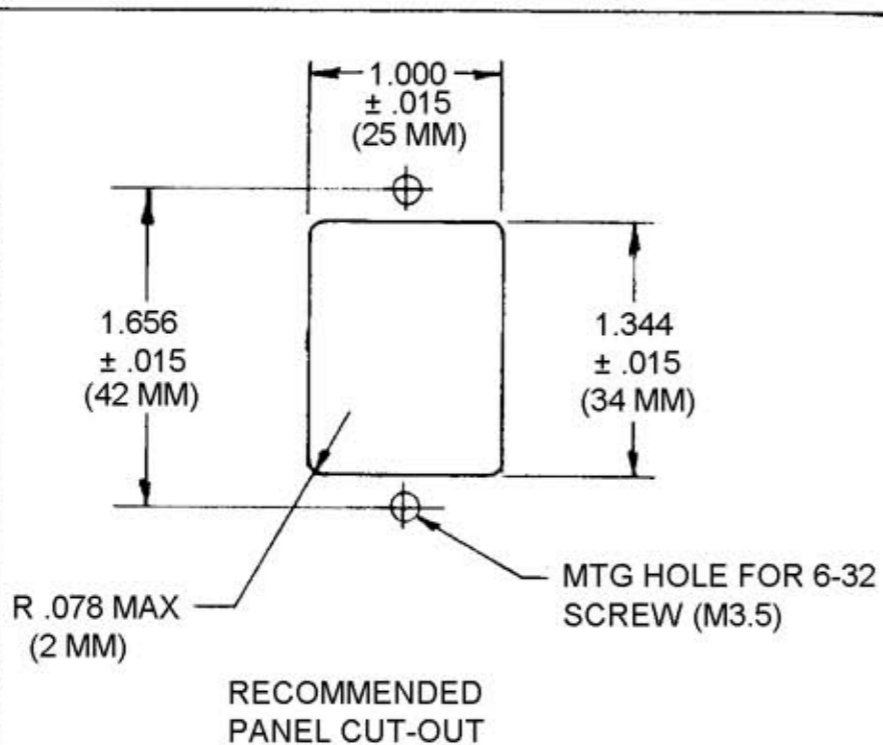


Ø.156
(4 MM)



TERMINAL ACCOMMODATION

NORTH AMERICAN
#16 AWG - #12 AWG

INTERNATIONAL
1.5 MM² - 2.5 MM²

CAT. NO. H320B

TITLE
20/16A 250V.A.C. THREE-WIRE
I.E.C. STRAIGHT BLADE INLET

LIST OF PARTS

| DESCRIPTION | MATERIAL | FINISH |
|------------------|------------|------------|
| HOUSING | POLYESTER | BLACK |
| POWER BLADE | BRASS | |
| GROUND BLADE | BRASS | |
| WIRE BIND. CLAMP | STEEL | NICKEL PL. |
| BIND. SCREW | STAIN. ST. | BLACK |
| GR. BINDING SCR. | STAIN. ST. | GREEN |
| | | |
| | | |
| | | |
| | | |
| | | |
| | | |
| | | |
| | | |

DIMENSION SHEET FOR CAT. NO. H320B

REPAIRABLE NON-REPAIRABLE

| SYM | REVISIONS | APP | DATE |
|-----|---------------|-----|------------|
| 1 | ADDED VDE SYM | CSC | 12-9-91/JG |

THE DESIGN AND DIMENSIONS OF THE
PRODUCT SHOWN ON THIS DRAWING ARE
SUBJECT TO CHANGE WITHOUT NOTICE.

| | | | |
|---------------------------------------|-------------------|---|--|
| TOLERANCES UNLESS OTHERWISE SPECIFIED | | WIRING DEVICE DIVISION HARVEY HUBBELL, INC. BRIDGEPORT, CONN. | |
| FRACTIONS ± 1/64 | DR. BY <u>AJL</u> | APP. BY | |
| DECIMALS ± .005 | TR. BY | SCALE <u>FULL</u> | |
| ANGLES ± 2° | CHK'D. BY | DATE <u>6-4-87</u> | |

B M-6564 2