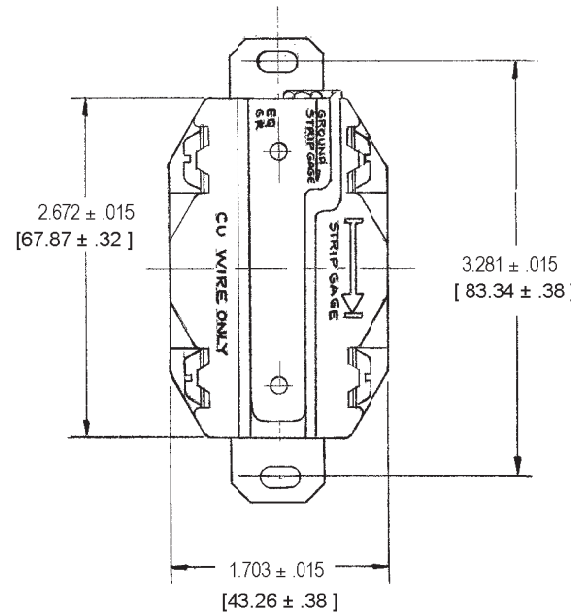
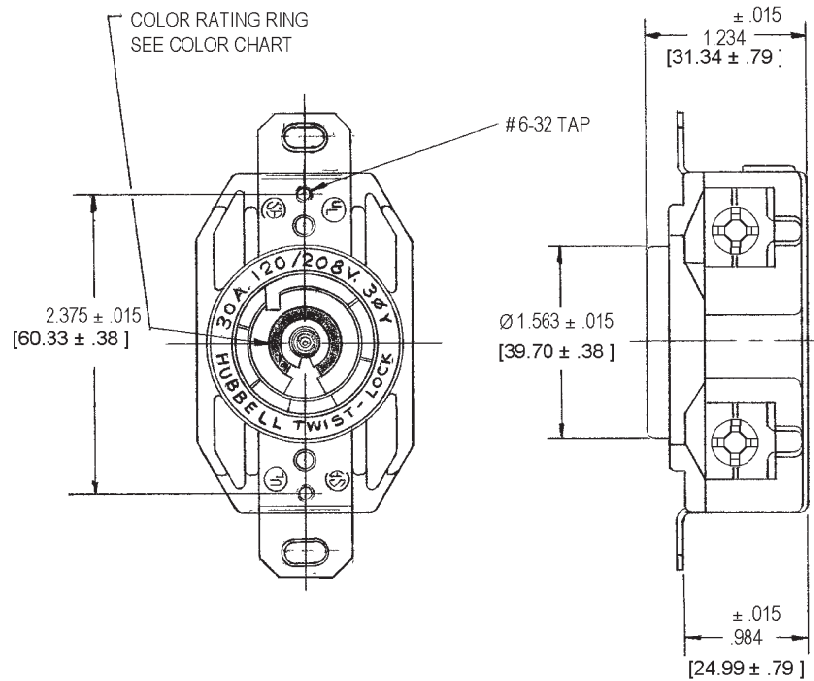


M-6476 4



CAT. NO.	CONFIGURATION	RATING	RATING RING COLOR
HBL 2810 HBL2810RT	NEMA L-21-30R	30A. 120/208V 3ØY	BLUE
HBL 2820	NEMA L-22-30R	30A. 277/480V 3ØY	RED
HBL 2830	NEMA L-23-30R	30A. 547/600V 3ØY	—

NOTES:

- CATALOG NUMBERS WITH SUFFIX "RT" ARE CSA CERTIFIED AND UL RECOGNIZED FOR USE WITH RING TERMINALS.
- CONDUCTOR RANGE: #14 AWG TO #8 AWG.
- INCHES [mm].

LIST OF PARTS		
DESCRIPTION	MATERIAL	FINISH
BASE	POLYESTER	79N
COVER	NYLON	BLACK
CONTACT SPRINGS	.040 BRASS	
CLAMP	.040 BRASS	
BINDING SCREWS	BRONZE	*
HEX. HD. BIND. SCREW	BRONZE	GREEN
BACK PLATE	.040 BRASS	
END PLATE	.050 BRASS	
RIVET	BRASS	
GR. CLAMP	STEEL	** NI. PL.

* WHITE FINISH ON NEUTRAL SCREW WHEN USED.

** USED ON FIVE WIRE DEVICES

4	ADDED HBL2810RT TO TABLE ADDED NOTES 1-3, ADDED [mm] DIMS PER DCN10718. MYA	RDK	4/23/03
3	CONVERTED ALL DIMS TO 3 FL DECIMAL, REVISED VIEW TO SHOW TRI-DRIVE SCREWS PER DCN#7772.		7-5-00
2	CHG FINISH BASE, ADDED HBL TO CAT # EC 7252	M/R	10-3-99
1	CONTACT SPRING MATE		8-6-96
SYM	REVISIONS	APP	DATE

THE DESIGN AND DIMENSIONS OF THE PRODUCT SHOWN ON THIS DRAWING ARE SUBJECT TO CHANGE WITHOUT NOTICE

CODE 74545

TITLE	TOLERANCES UNLESS OTHERWISE SPECIFIED	WIRING DEVICE DIVISION HARVEY HUBBELL, INC. BRIDGEPORT, CONN.	
30A. 5-WIRE GROUNDING TWIST-LOCK RECEPTACLE	FRACTIONS ± 1/64 DECIMALS ± .005 ANGLES ± 2°	DR. BY A.J.L.	APP. BY
		TR. BY	SCALE 1:1
		CHK'D BY	DATE 1-22-86

DIMENSION SHEET FOR CAT. NO. SEE TABLE

REPAIRABLE NON-REPAIRABLE

B

M-6476

4