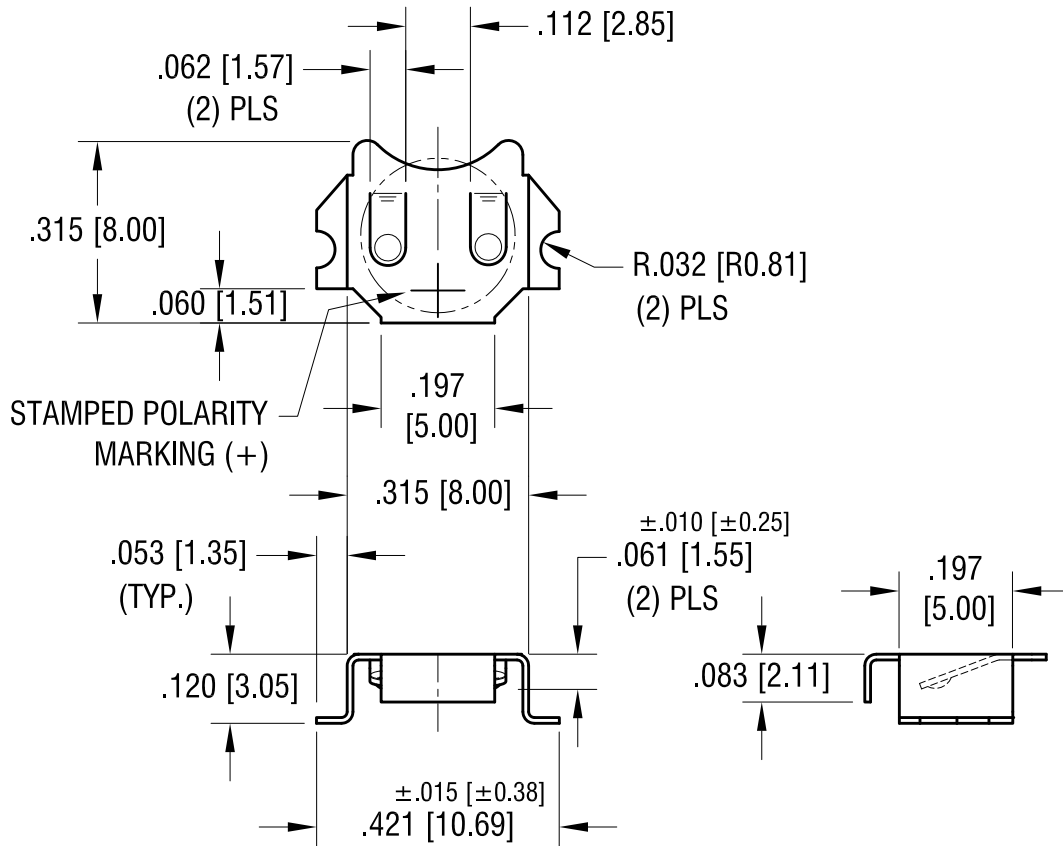
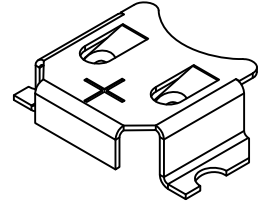
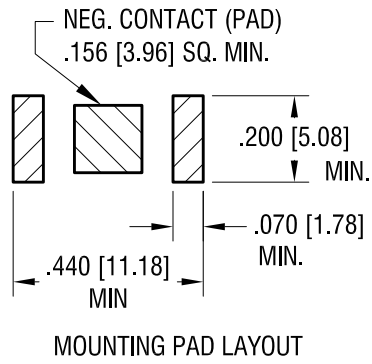


THIS DOCUMENT IS THE PROPERTY OF KEYSTONE ELECTRONICS CORP. AND SHALL NOT BE REPRODUCED, DISTRIBUTED OR USED AS A BASIS FOR MANUFACTURE WITHOUT PRIOR WRITTEN PERMISSION FROM KEYSTONE ELECTRONICS CORP.



**KEYSTONE ELECTRONICS CORP.**

www.keyelco.com • ASTORIA, N.Y. 11105-2017 • Tel (718) 956-8900

PART NAME

6.8mm SM BUTTON CELL RETAINER

MATERIAL

.010 [0.25] TH'K PHOSPHOR BRONZE

FINISH

TIN NICKEL PLATE

DRN BY

BOONE

DATE

8.28.00

APP'D

LN

SCALE

3X

TOLERANCES

INCH [MM]

DECIMAL

±.005 [±0.13]

ANGULAR

± 1°

UNLESS OTHERWISE SPECIFIED

CODE

C

DWG NO.

2998

DATE	DESCRIPTION	REV.
5.07.15	CHANGE AS PER ECN 15-046	F
8.24.11	CHANGE AS PER ECN 11-114	E
6.22.06	CHANGE AS PER ECN 06-065	D