

MICRO SWITCH
 FREEPORT ILLINOIS U.S.A.
 A DIVISION OF HONEYWELL
 FED. MFG. CODE 91929

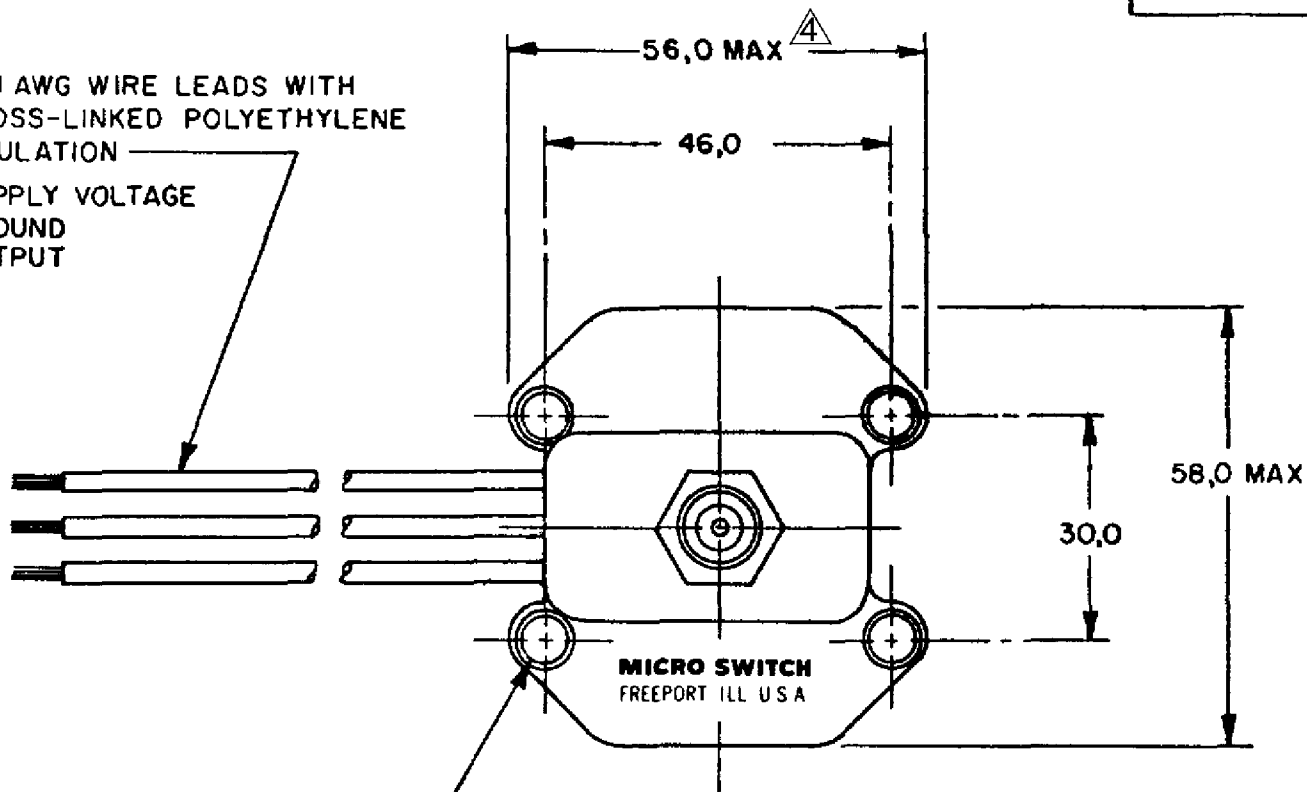
**PRESSURE
 TRANSDUCER**

CATALOG LISTING
242PC150 SERIES
CHART 1

THIS DRAWING COVERS A PROPRIETARY ITEM AND IS THE PROPERTY OF MICRO SWITCH, A DIVISION OF HONEYWELL. THIS DRAWING IS NOT TO BE COPIED OR USED WITHOUT THE APPROVAL OF MICRO SWITCH.

CATALOG LISTING	INPUT PORT SEAL MATERIAL	INPUT MEDIA COMPATIBILITY ³
242PC150G	BUNA-N	OILS, FUELS, LUBRICANTS
^B	ETHYLENE PROPYLENE	STEAM, SOAPS, POLAR SOLVENTS

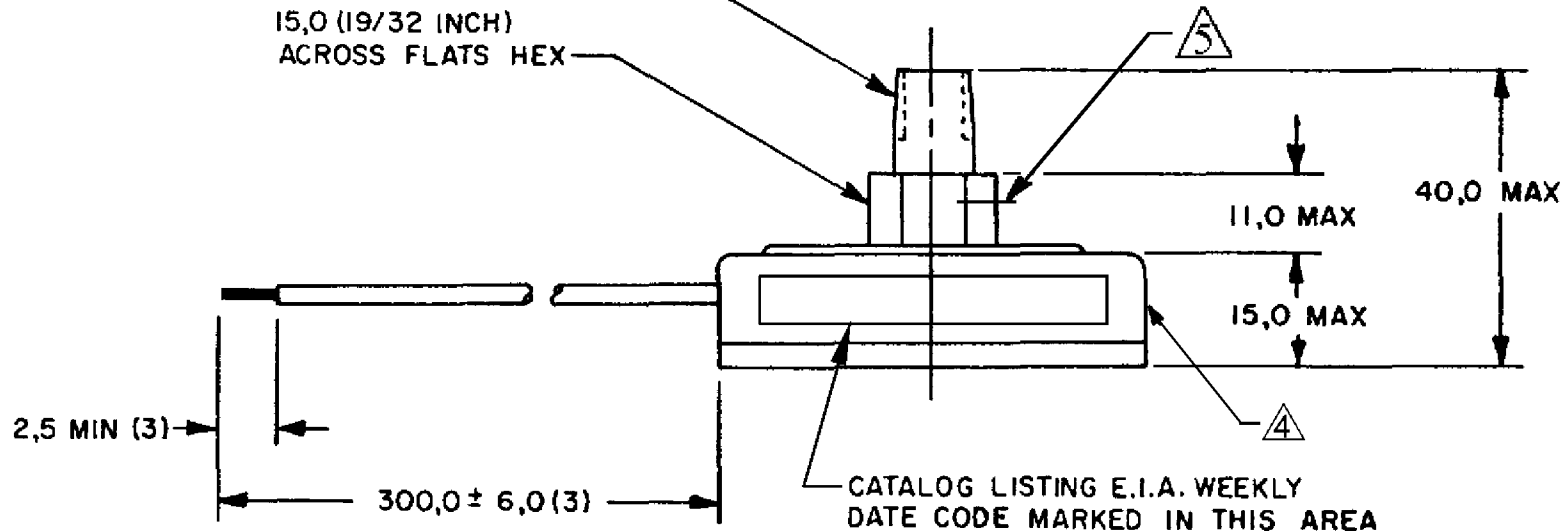
#18 AWG WIRE LEADS WITH
 CROSS-LINKED POLYETHYLENE
 INSULATION
 RED=SUPPLY VOLTAGE
 BLK=GROUND
 GRN=OUTPUT



CLEARANCE FOR M5 OR
 #10 ENGLISH FASTENER (4)

1/8-27 NPT THREADED
 INPUT PORT (PRESSURE P2)

15.0 (19/32 INCH)
 ACROSS FLATS HEX



GENERAL OPERATING CHARACTERISTICS

PRESSURE RANGE	0 TO 150 PSIG (0 TO 1034 KPa)
PROOF PRESSURE	300 PSI MAX (2068 KPa MAX)
BURST PRESSURE	800 PSI TYP (5516 KPa TYP)
TEMPERATURE RANGES	
STORAGE	-40° TO +85°C
OPERATE	-40° TO +85°C
COMPENSATED	-18° TO +63°C
SUPPLY VOLTAGE	7.0 TO 16.0 VDC
SUPPLY CURRENT	20 mA MAX WITH 10K LOAD
SHORT CIRCUIT LIMIT	MAY BE SHORTED INDEFINITELY
OUTPUT VOLTAGE	PROPORTIONAL TO SUPPLY VOLTAGE
GROUND REFERENCE	SUPPLY AND OUTPUT ARE COMMON

ELECTRICAL PERFORMANCE AT 25°C AND 8.00 ± 0.01 VDC SUPPLY

NULL (0 PSIG)	1.00 ± 0.05 VDC
FULL SCALE (150 PSIG)	6.00 ± .200 VDC
SENSITIVITY	33.3 mV/PSI TYP
LINEARITY (% F.S.O.) ² (BFSL)	± 0.5% MAX
HYSTERESIS & REPEATABILITY (%F.S.O.) ²	± 0.25% TYP
TEMPERATURE ERROR (%F.S.O.) ²	
-18° < 25° > 63°C	± 1.5% MAX
-40° < 25° > 85°C	± 3.0% TYP
RESPONSE TIME	1 m SEC MAX

NOTES

- HOUSING IS BLACK ANODIZED ALUMINIUM
- F.S.O. IS THE ALGEBRAIC DIFFERENCE BETWEEN THE OUTPUT END POINTS (NULL AND FULL PRESSURE)
- CONTACT MICRO SWITCH FOR MORE DETAILED INFORMATION CONCERNING MEDIA COMPATABILITY
- MEASURE AT POINT SHOWN
- MEASURE AT POINTS SHOWN

METRIC	INCH	THIRD ANGLE PROJECTION
2.5	.10	
30.0	1.18	SCALE FULL
11.0	.43	DO NOT SCALE PRINT
15.0	.59	TOLERANCES
40.0	1.57	APPLY TO DESIGN UNITS. CONVERSIONS ARE ONLY FOR REFERENCE. UNLESS NOTED, TOLERANCES ARE 2
46.0	1.81	
56.0	2.20	
58.0	2.28	
300.0	11.81	
DESIGN UNITS <input checked="" type="checkbox"/> METRIC <input type="checkbox"/>		U.S. CUSTOMARY <input type="checkbox"/>
WEIGHT 85G (3 OZ) MAX		

CATALOG LISTING
M 242PC150 SERIES CHART 1
 PAGE 1 OF 1

ISSUE
4

REVISIONS

A	200565	CST	8 JUN 00
B	201505	GJW	23 OCT 00
C	33433	AB	29 AUG 07

DRAWN
 KDR
 10 JUN 94
 CHECK
 KAG
 23 JUN 04
 CHECK

RELEASE NO. CO-78466 REPLACES 242PC150 CHART 1

ECR0025788
 CMG
 8/24/2007