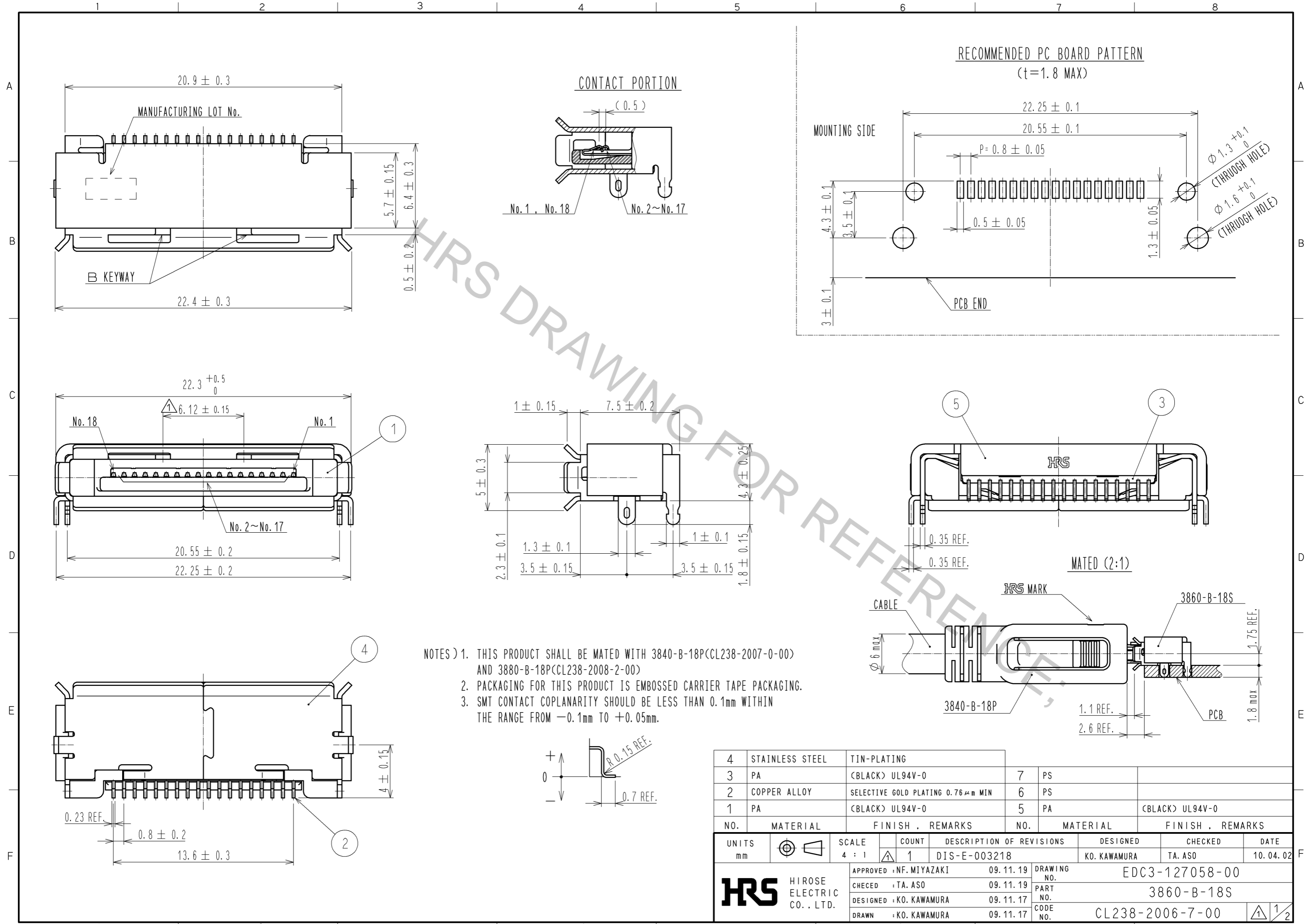
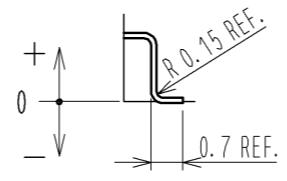


Aug.1.2016 Copyright 2016 HIROSE ELECTRIC CO., LTD. All Rights Reserved.



- NOTES ) 1. THIS PRODUCT SHALL BE MATED WITH 3840-B-18P(CL238-2007-0-00) AND 3880-B-18P(CL238-2008-2-00)  
 2. PACKAGING FOR THIS PRODUCT IS EMBOSSED CARRIER TAPE PACKAGING.  
 3. SMT CONTACT COPLANARITY SHOULD BE LESS THAN 0.1mm WITHIN THE RANGE FROM -0.1mm TO +0.05mm.



NO.	MATERIAL	FINISH	REMARKS	NO.	MATERIAL	FINISH	REMARKS
4	STAINLESS STEEL	TIN-PLATING		7	PS		
3	PA	(BLACK) UL94V-0		6	PS		
2	COPPER ALLOY	SELECTIVE GOLD PLATING 0.76 μm MIN		5	PA	(BLACK) UL94V-0	
1	PA	(BLACK) UL94V-0					

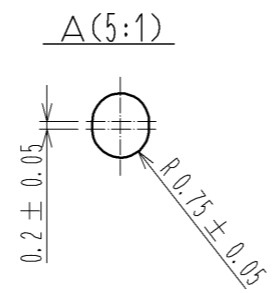
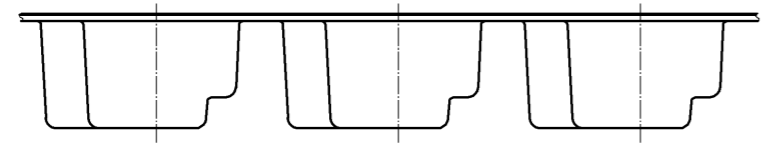
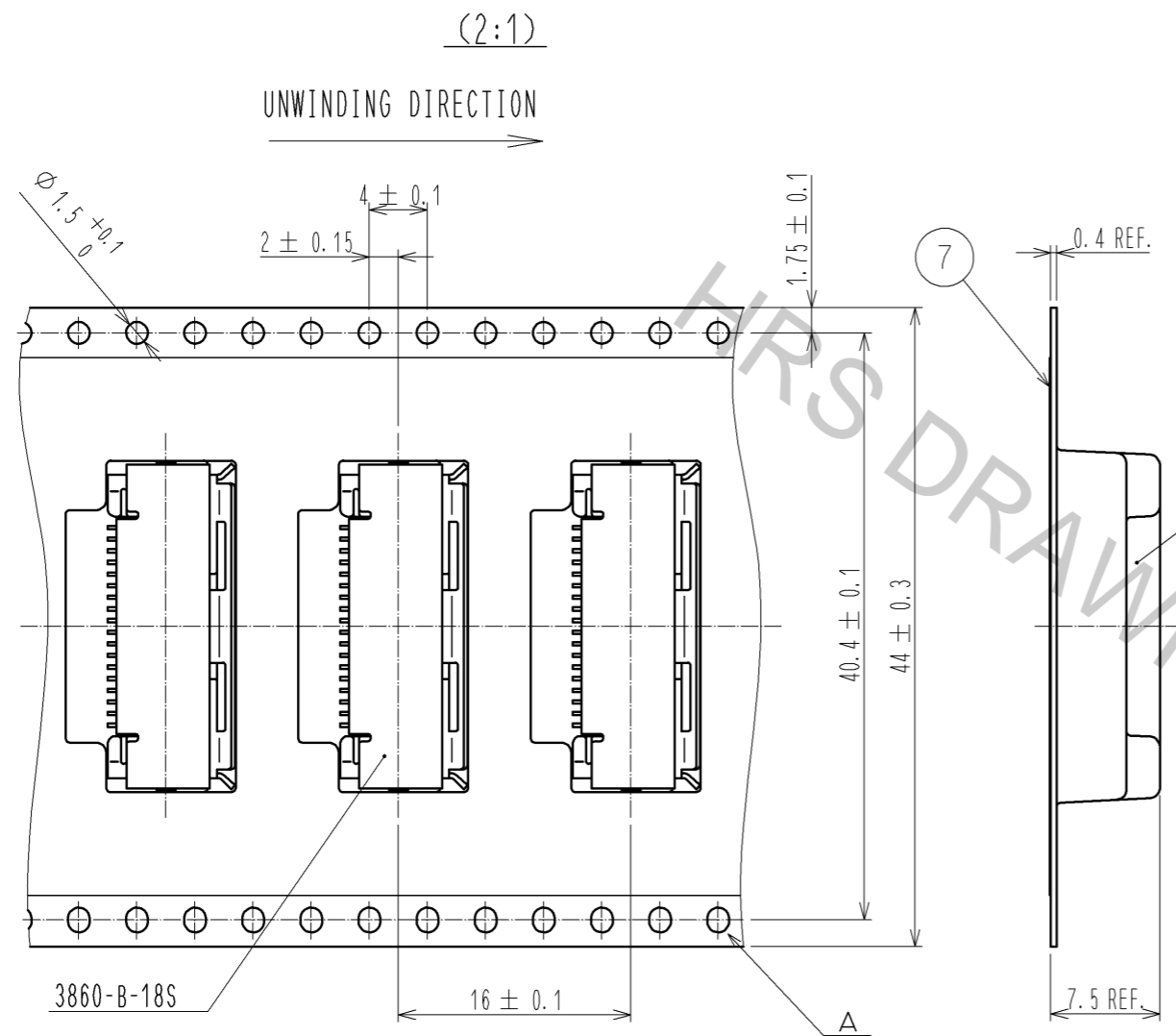
  

UNITS	SCALE	COUNT	DESCRIPTION OF REVISIONS	DESIGNED	CHECKED	DATE
mm	4 : 1	1	DIS-E-003218	KO. KAWAMURA	TA. ASO	10.04.02

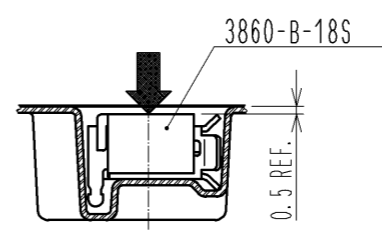
  

APPROVED	CHECKED	DESIGNED	DRAWN	DATE	DRAWING NO.	PART NO.	CODE NO.
NF. MIYAZAKI	TA. ASO	KO. KAWAMURA	KO. KAWAMURA	09.11.19	EDC3-127058-00	3860-B-18S	CL238-2006-7-00

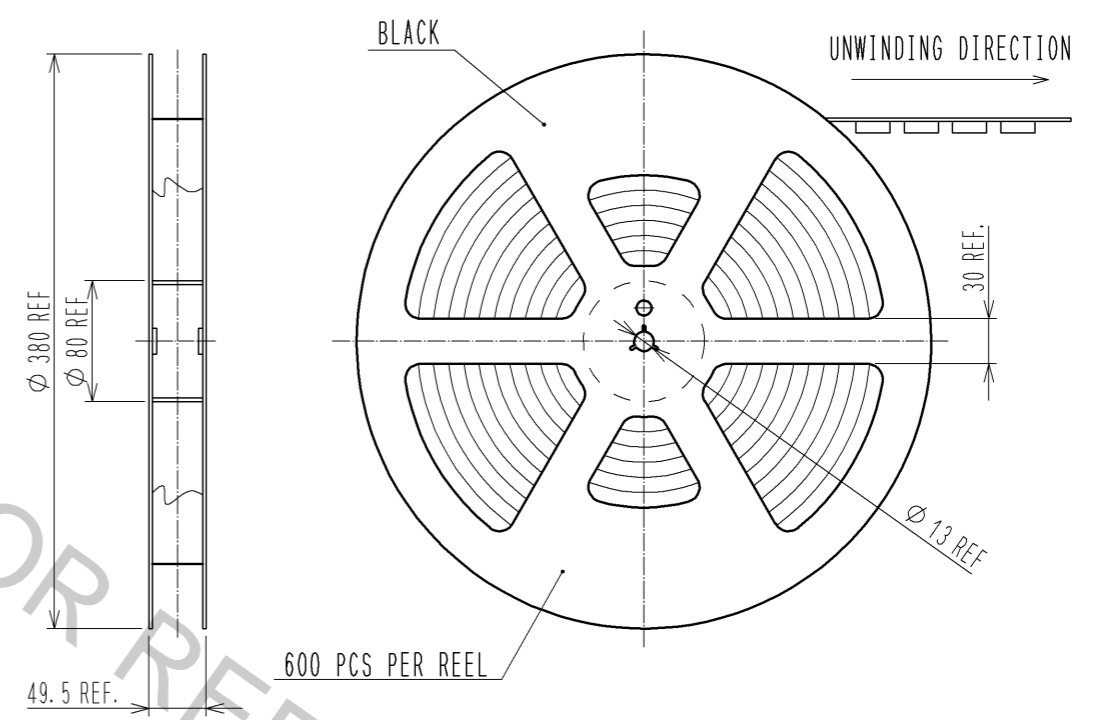
Aug.1.2016 Copyright 2016 HIROSE ELECTRIC CO., LTD. All Rights Reserved.



DIMENSIONS FOR VACUUM PICK UP POSITION (2:1)



PLASTIC REEL PACKAGING DIMENSIONS (FREE)



<b>HRS</b>	DRAWING NO.	EDC3-127058-00	2/2
	PART NO.	3860-B-18S	
	CODE NO.	CL238-2006-7-00	