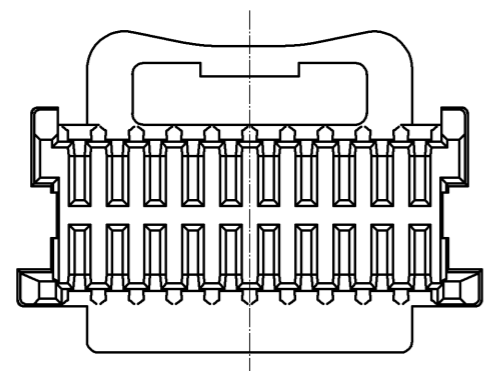
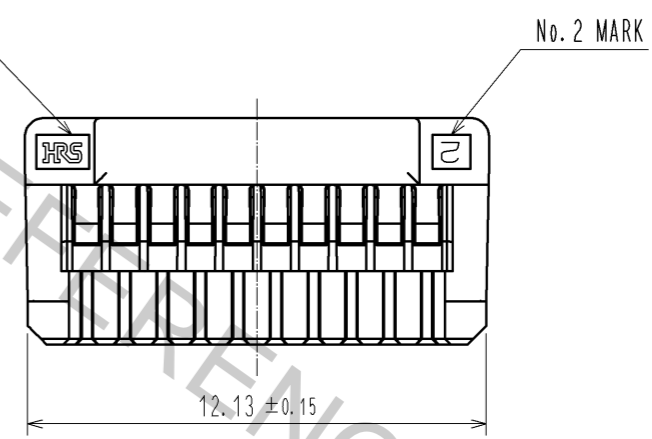
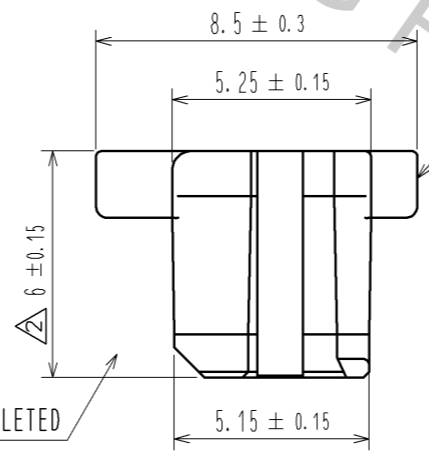
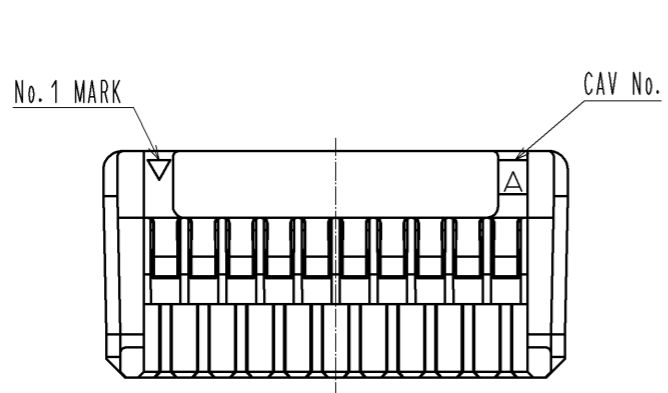
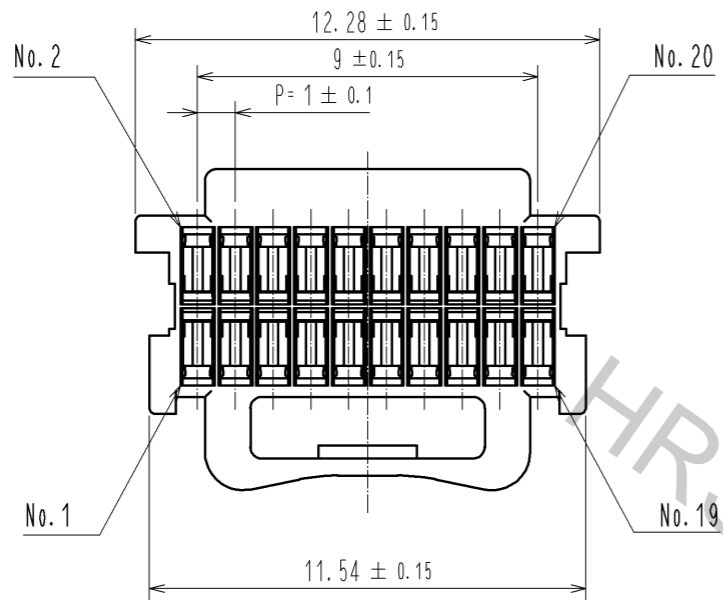


Aug.1.2016 Copyright 2016 HIROSE ELECTRIC CO., LTD. All Rights Reserved.



NOTE 1. 100 PIECES PER PACK

NO.	MATERIAL	FINISH . REMARKS	NO.	MATERIAL	FINISH . REMARKS
			1	PBT	UL94V-0. WHITE
UNITS mm		SCALE 5 : 1	COUNT 2	DESCRIPTION OF REVISIONS DIS-H-008139	DESIGNED ST. SATO
					CHECKED HK. UMEHARA
					DATE 13. 09. 06
<b>HRS</b>	HIROSE ELECTRIC CO., LTD.	APPROVED : OM. MIYAMOTO 12. 01. 31	DRAWING NO.	EDC3-339520-00	
		CHECED : OM. MIYAMOTO 12. 01. 31	PART NO.	DF50S-20DS-1C	
		DESIGNED : TT. OHSAKO 12. 01. 31	CODE NO.	CL665-0020-2-00	
		DRAWN : TT. OHSAKO 12. 01. 31			1/1