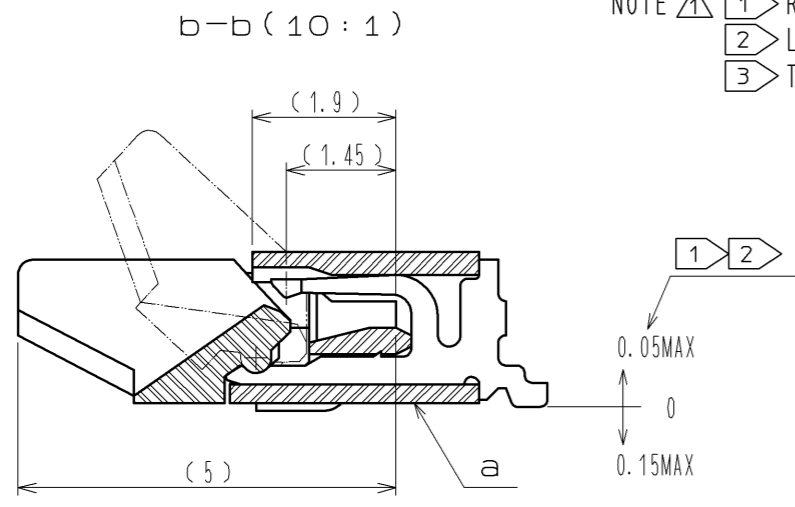
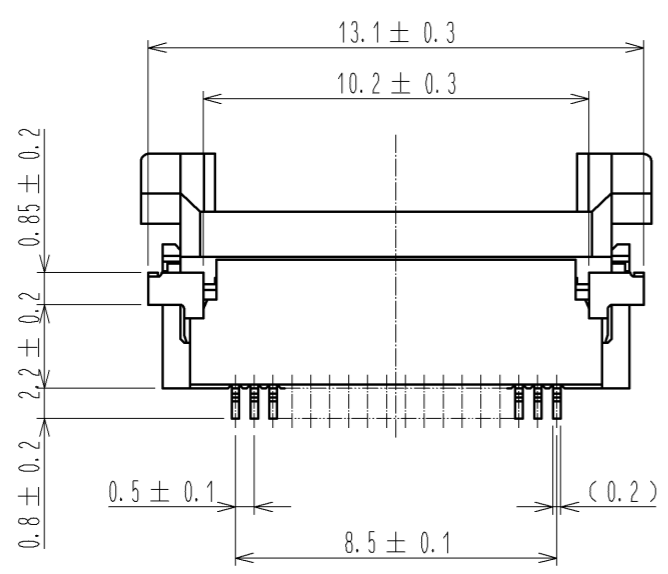
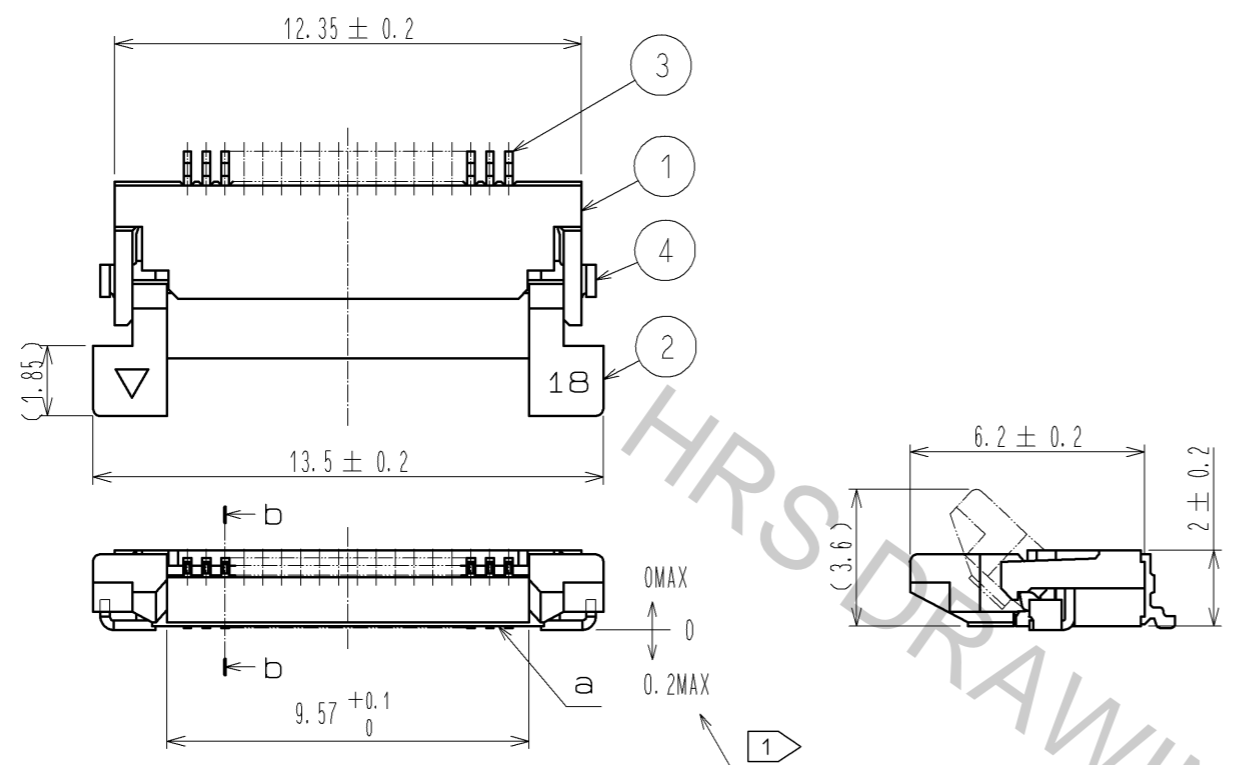
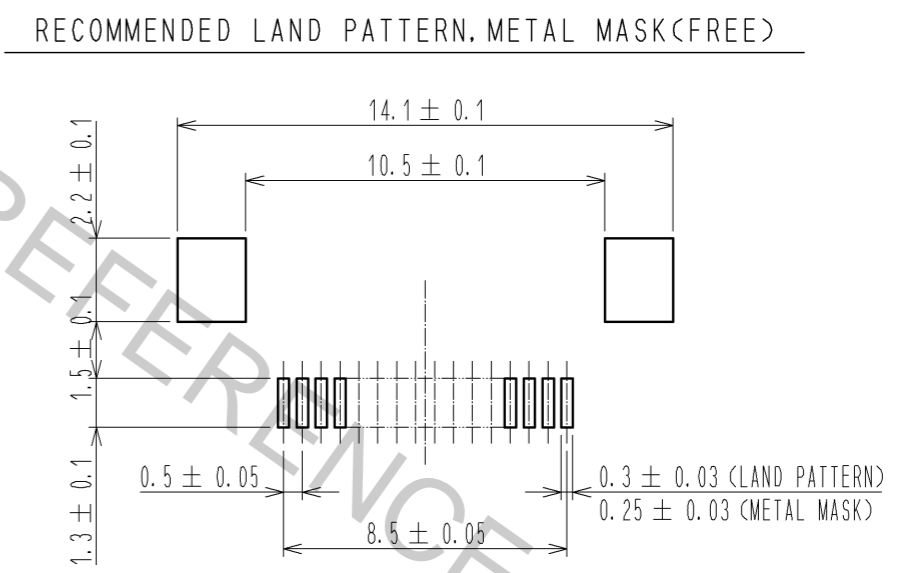
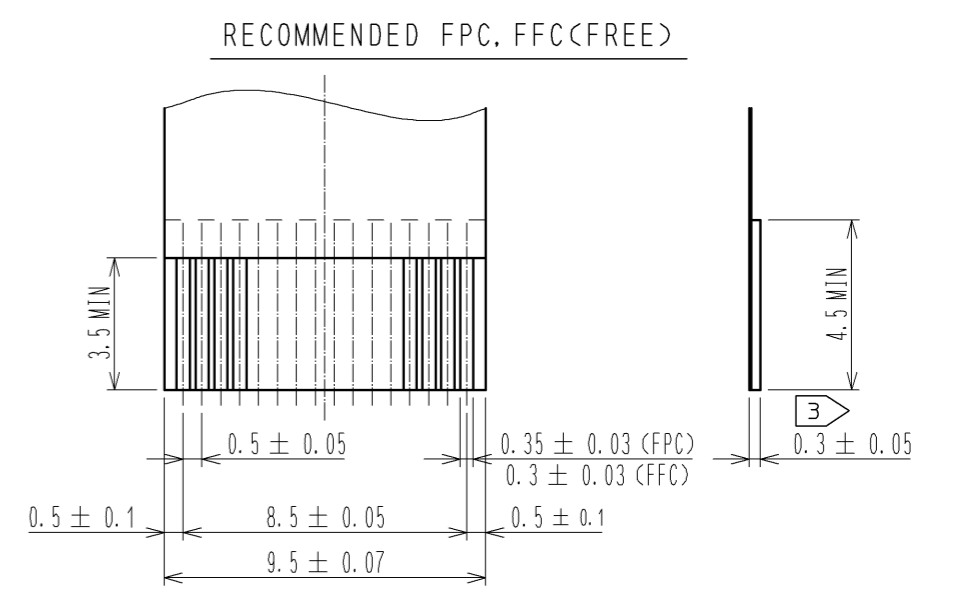


Aug.1.2016 Copyright 2016 HIROSE ELECTRIC CO., LTD. All Rights Reserved.



NOTE \triangle ① REFERENCE IS a.
 ② LEAD CO-PLANARITY SHALL BE 0.1 MAX.
 ③ THICKNESS OF SUPPORTING TAPE SHALL BE 0.188(7.5mil) MIN.



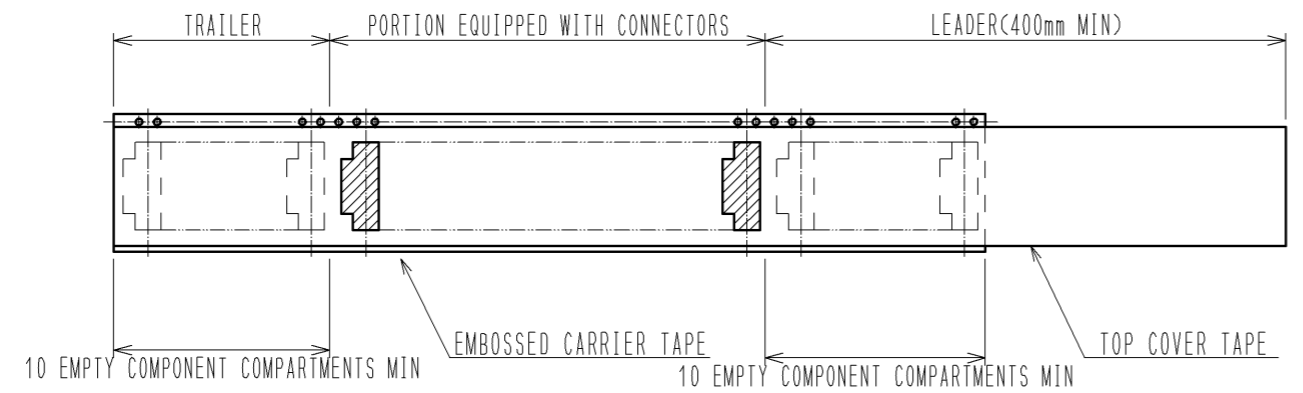
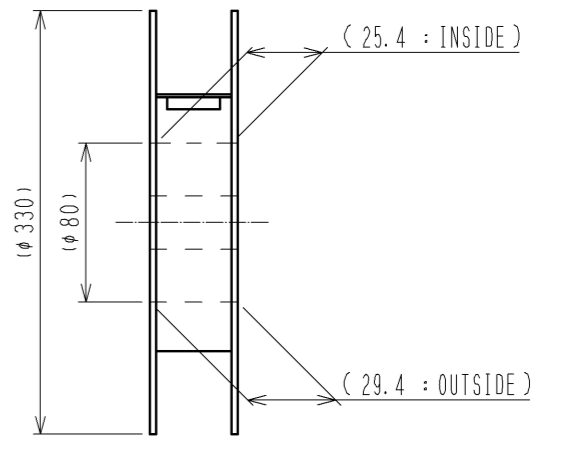
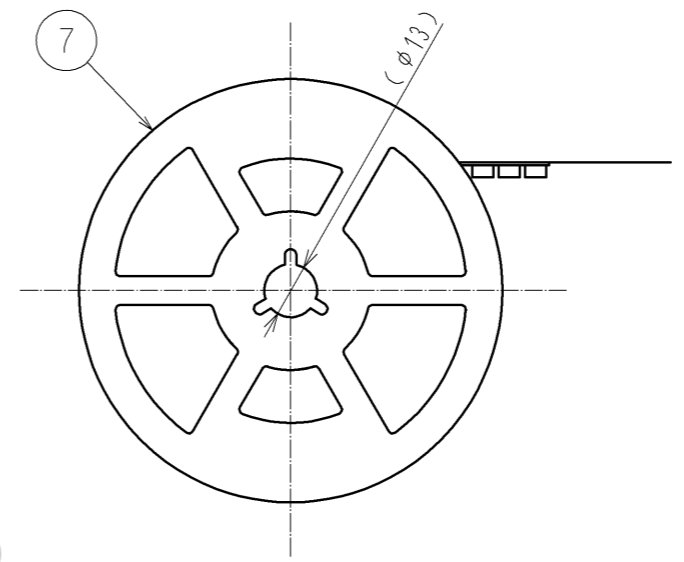
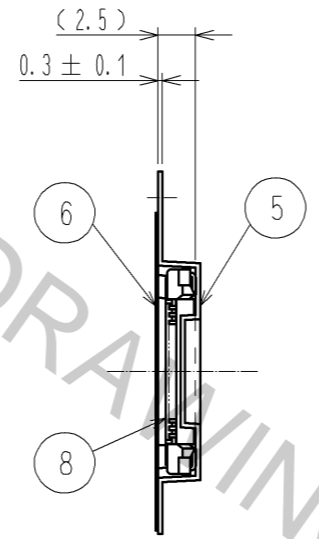
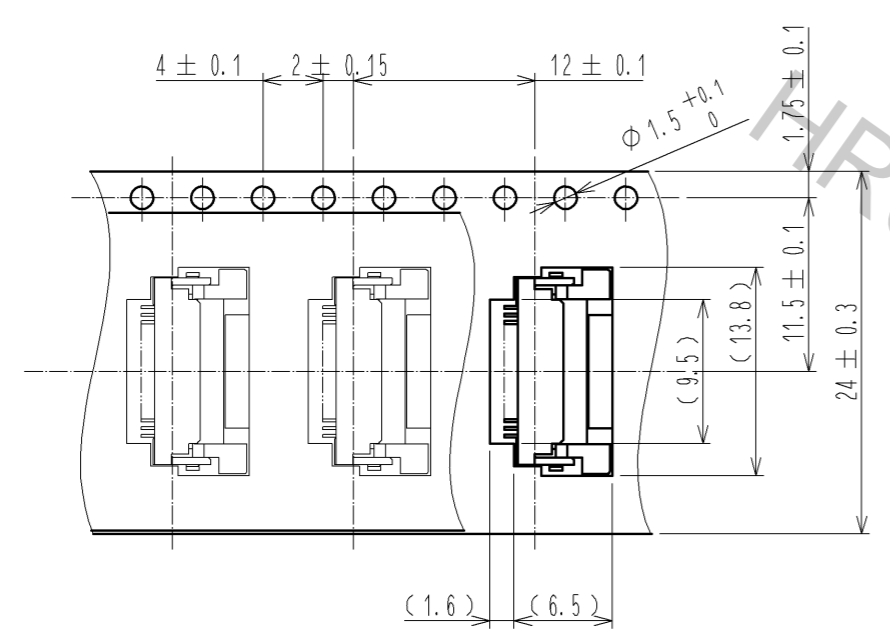
RECOMMENDED METAL MASK THICKNESS t=0.15

4	BRASS	TIN PLATING 1 μ mMIN OVER NICKEL 1 μ mMIN.	8	(CONNECTOR)			
3	PHOSPHOR BRONZE	GOLD PLATING 0.05 μ mMIN OVER NICKEL 1 μ mMIN.	7	POLYSTYRENE			
2	PPS	DEEP BROWN UL94V-0	6	POLYESTER			
1	POLYAMIDE	BEIGE UL94V-0	5	POLYSTYRENE			
NO.	MATERIAL	FINISH . REMARKS	NO.	MATERIAL	FINISH . REMARKS		
UNITS	\odot \square	SCALE	COUNT	DESCRIPTION OF REVISIONS	DESIGNED	CHECKED	DATE
mm		5 : 1	1	DIS-F-003410	MK. YASUMI	FN. TAMURA	09.12.11
APPROVED : RI. TAKAYASU		08.09.02		DRAWING NO.		EDC3-150553-51	
CHECKED : HS. SAKAMOTO		08.09.01		PART NO.		FH12A-18S-0.5SH(55)	
DESIGNED : MK. YASUMI		08.08.26		CODE NO.		CL586-0553-7-55	
DRAWN : MK. YASUMI		08.08.26					

Aug.1.2016 Copyright 2016 HIROSE ELECTRIC CO., LTD. All Rights Reserved.

EMBOSSSED CARRIER TAPE DIMENSION(2:1)

REEL DIMENSION(FREE)



NOTE 4 THE DIMENSIONS IN PARENTHESES ARE FOR REFERENCE.
5 1 REEL:2000 CONNECTORS.

<DRAWING FOR PACKING>

HRS	DRAWING NO.	EDC3-150553-51
	PART NO.	FH12A-18S-0.5SH(55)
	CODE NO.	CL586-0553-7-55
		\triangle 2/2