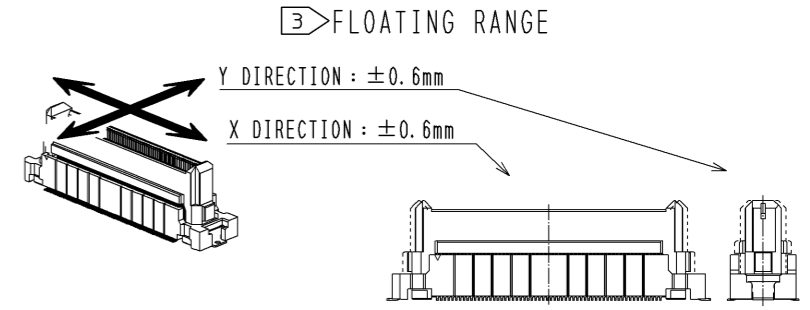
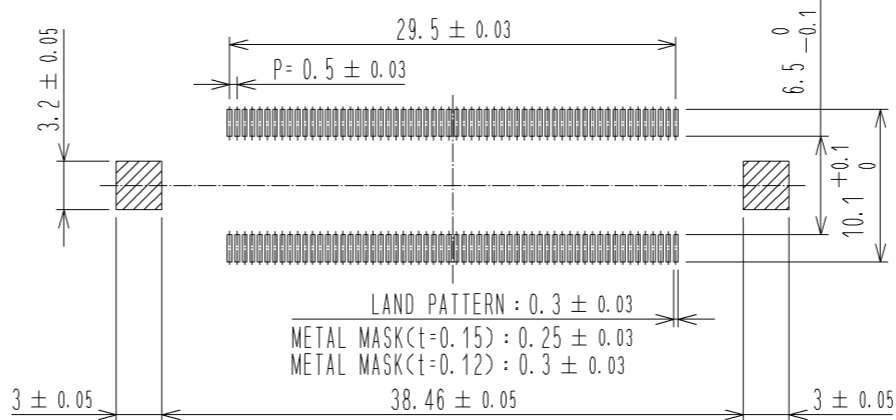
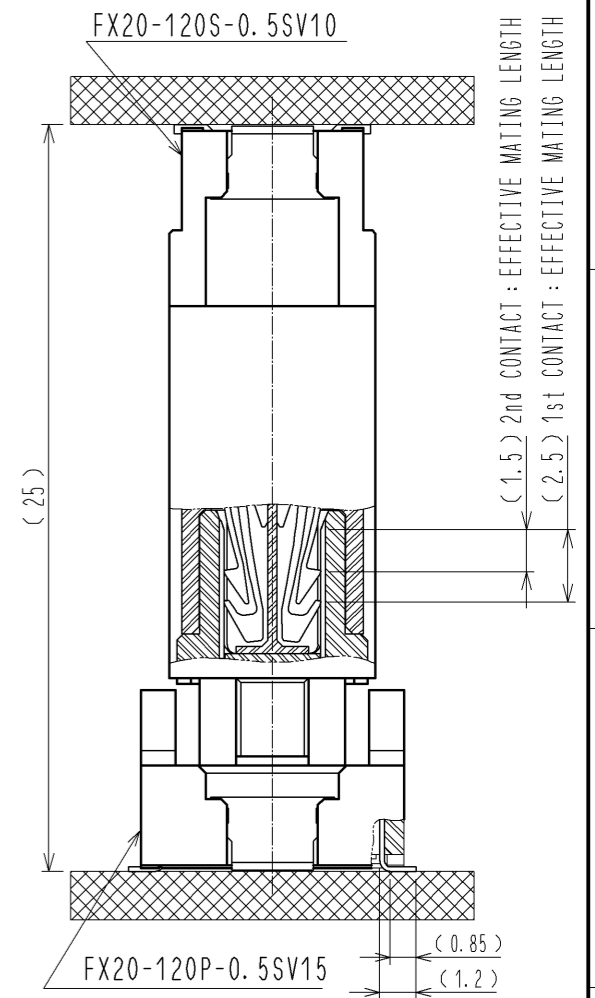


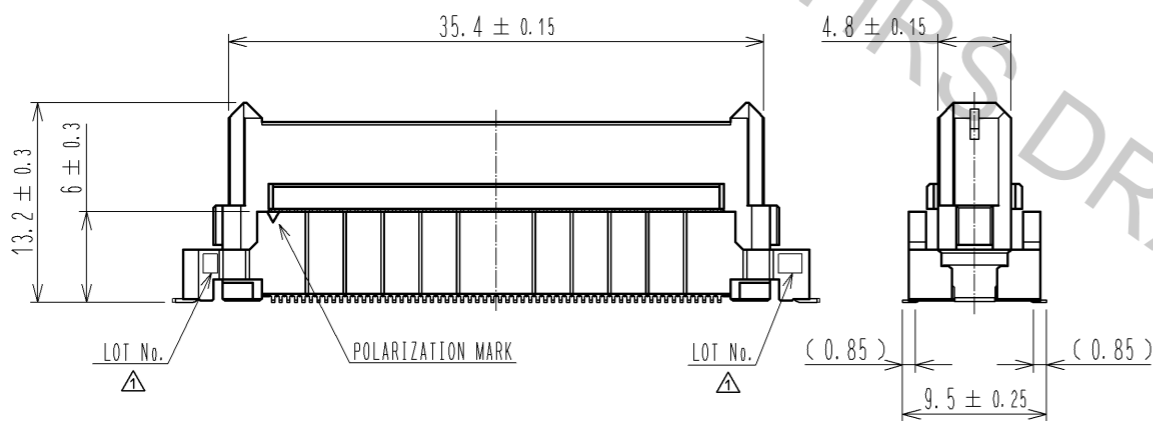
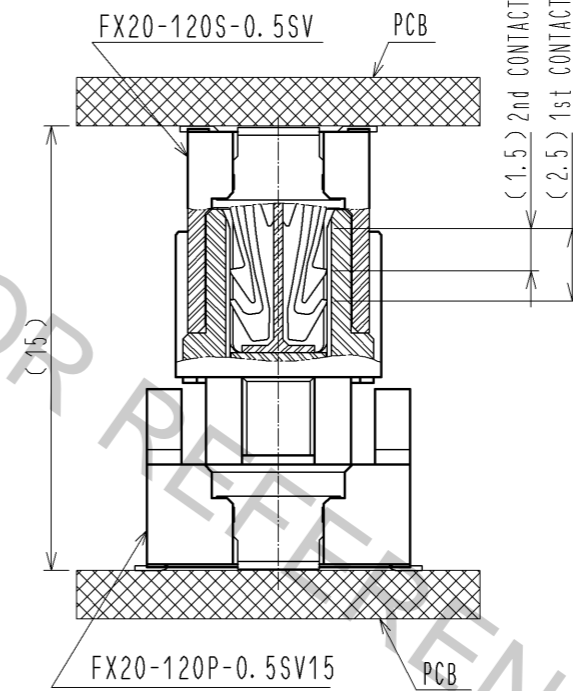
RECOMMENDED LAND PATTERN DIMENSION OF PCB



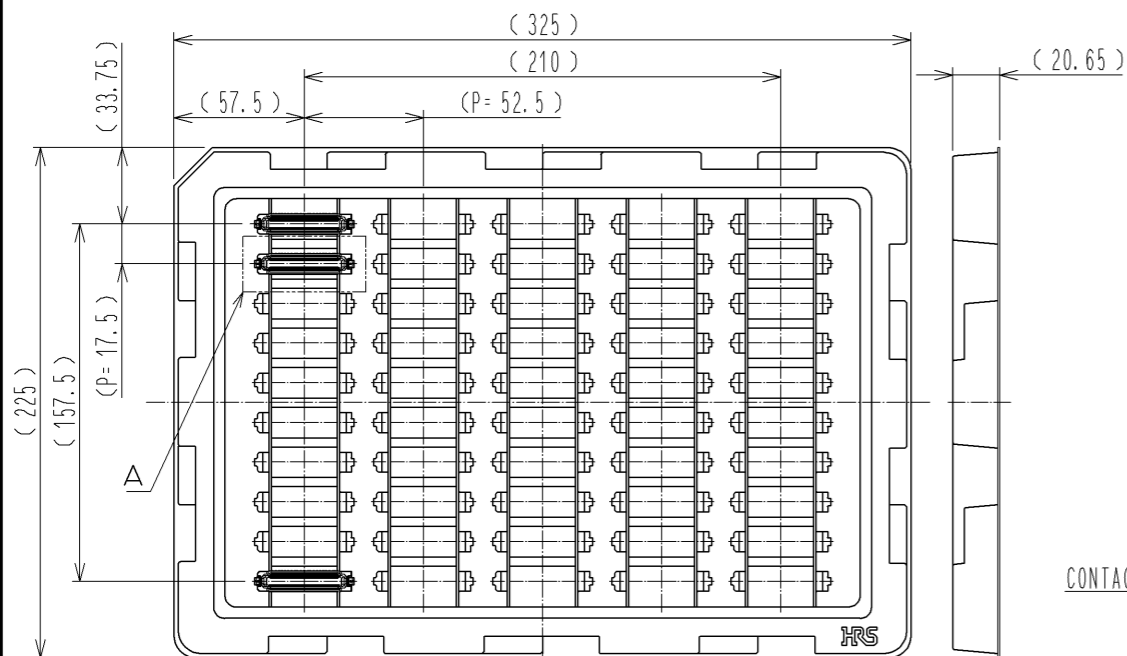
CROSS SECTION OF MATING(FREE)



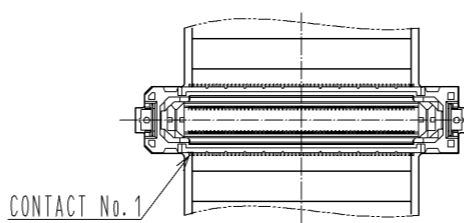
CROSS SECTION OF MATING(FREE)



2 DRAWING FOR PACKING(FREE)



A (1:1)



- NOTE 1 LEAD CO-PLANARITY IS 0.1mm MAX.  
 2 THIS IS PACKAGED IN TRAY. (50pcs/TRAY)  
 3 FLOATING RANGE OF THIS CONNECTOR IS ±0.6mm MAX.  
 4 BLEMISH AND HIT MARK CAN BE OCCURED THROUGH OUT THE MANUFACTURING PROCESS WHICH DOESN' T AFFECT QUALITY LEVEL.  
 5 PLEASE NOTE THAT EXCESSIVE WRENCHING FORCE COULD DAMAGE THIS CONNECTOR. PLEASE REFER TO THE GUIDELINE FOR DETAILED REGULATIONS OF THE MATING METHOD.  
 6 THE DIMENSIONS IN PARENTHESES ARE FOR REFERENCES.

2	POLYAMIDE	BLACK	UL94V-0	4	BRASS	TIN-PLATING 1 μm			
1	POLYAMIDE	BLACK	UL94V-0	3	COPPER ALLOY	CONTACT AREA:GOLD 0.1 μm LEAD AREA:GOLD 0.03 μm UNDER PLATING:NICKEL 1 μm			
NO.	MATERIAL	FINISH	REMARKS	NO.	MATERIAL	FINISH	REMARKS		
UNITS	mm	SCALE	2:1	COUNT	2	DESCRIPTION OF REVISIONS	DESIGNED	CHECKED	DATE
HRS		HIROSE ELECTRIC CO., LTD.		APPROVED : HS. OKAWA		11.08.22	DRAWING NO. EDC3-336323-00		
				CHECKED : KI. HIROKAWA		11.08.12	PART NO. FX20-120P-0.5SV15		
				DESIGNED : KT. DOI		11.08.12	CODE NO. CL570-1005-1-00		
				DRAWN : KT. DOI		11.08.12	1/1		