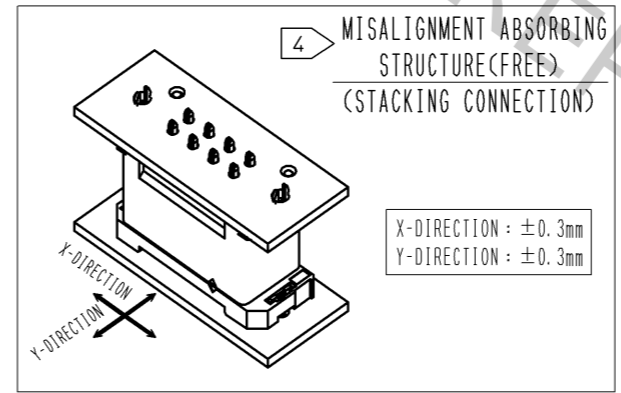
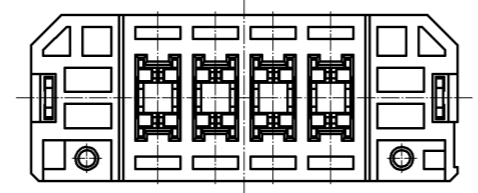
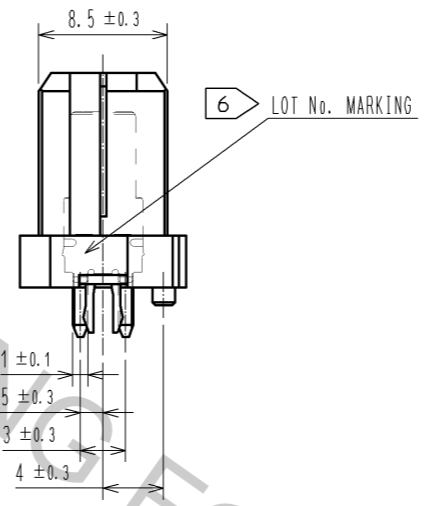
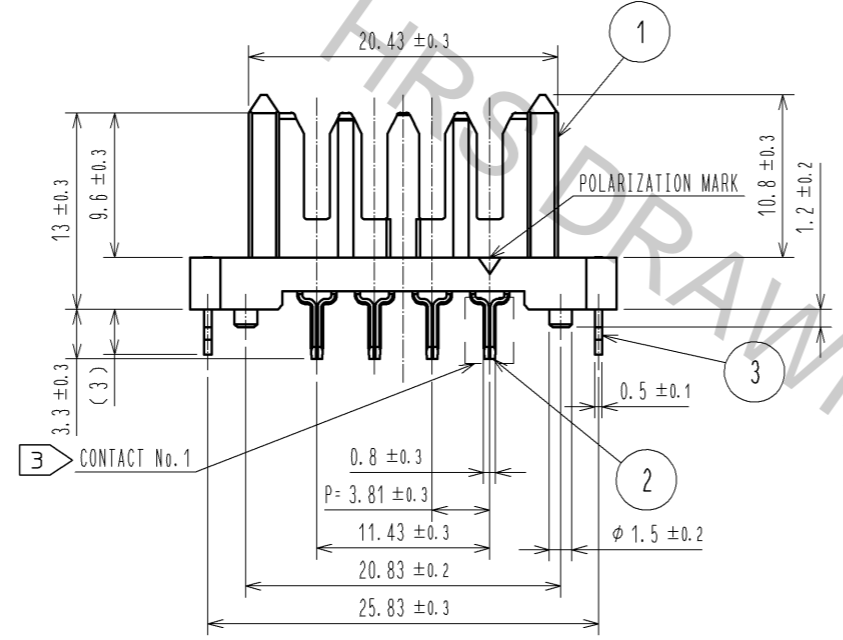
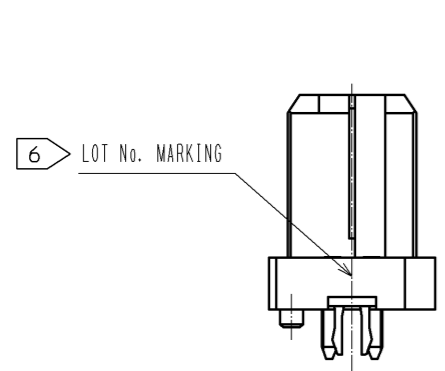
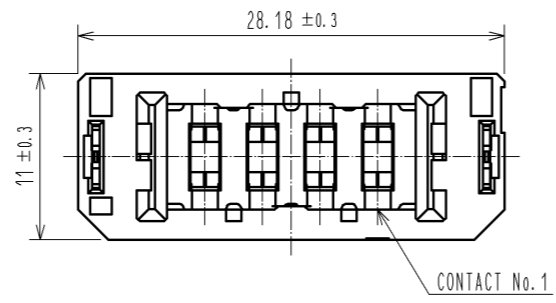
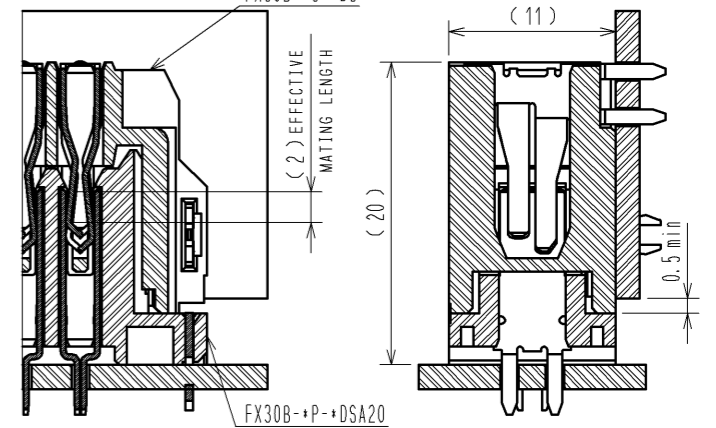


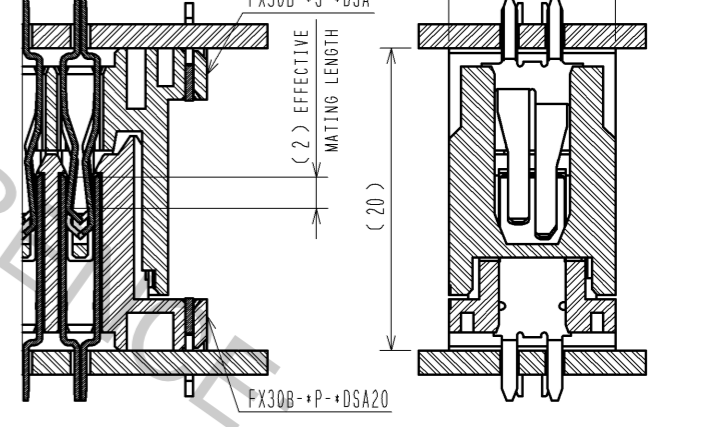
Aug.1.2016 Copyright 2016 HIROSE ELECTRIC CO., LTD. All Rights Reserved.



CROSS SECTION OF MATING(FREE)
VERTICAL CONNECTION



CROSS SECTION OF MATING(FREE)
STACKING CONNECTION

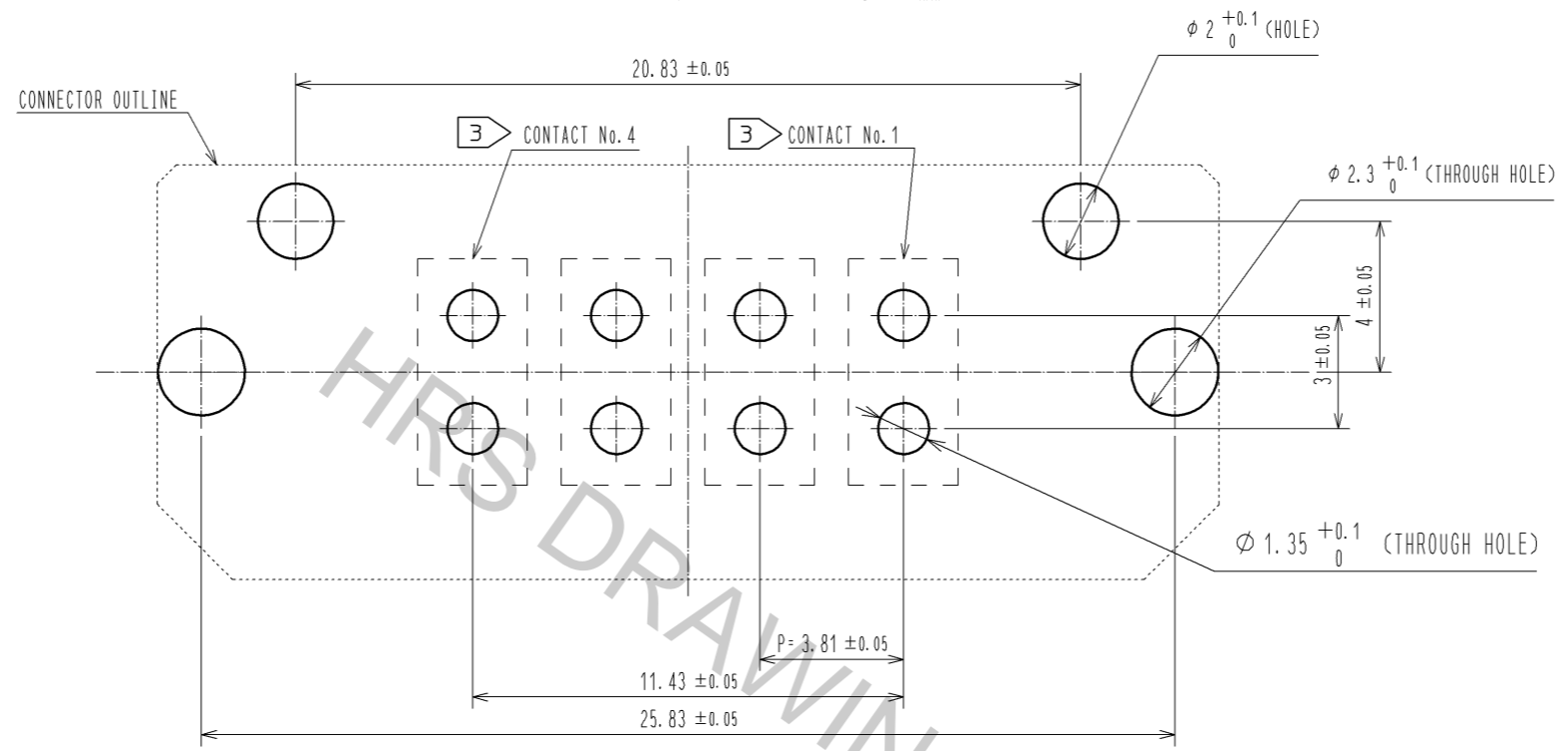


- NOTE
- 1 THIS PRODUCT IS PACKAGED IN TRAY. (35pcs/TRAY)
 - 2 BLEMISH AND HIT MARK CAN BE OCCURED THROUGH OUT THE MANUFACTURING PROCESS WHICH DOESN'T AFFECT QUALITY LEVEL. ALSO, BLACK SPOT COULD BE OBSERVED ON THE SURFACE OF HOUSING.
 - 3 FOR THE CONTACT NO., ADJACENT TWO PAIRS OF LEADS PLACED BACK-TO-BACK (4 LEADS IN TOTAL) COMPOSE ONE LINE.
 - 4 MISALIGNMENT ABSORBING RANGE: ± 0.3mm max.
 - 5 THE DIMENSION IN PARENTHESES ARE FOR REFERENCES.
 - 6 LOT NO. IS INDICATED AT EITHER ONE OF THE POSITION AS SHOWN.

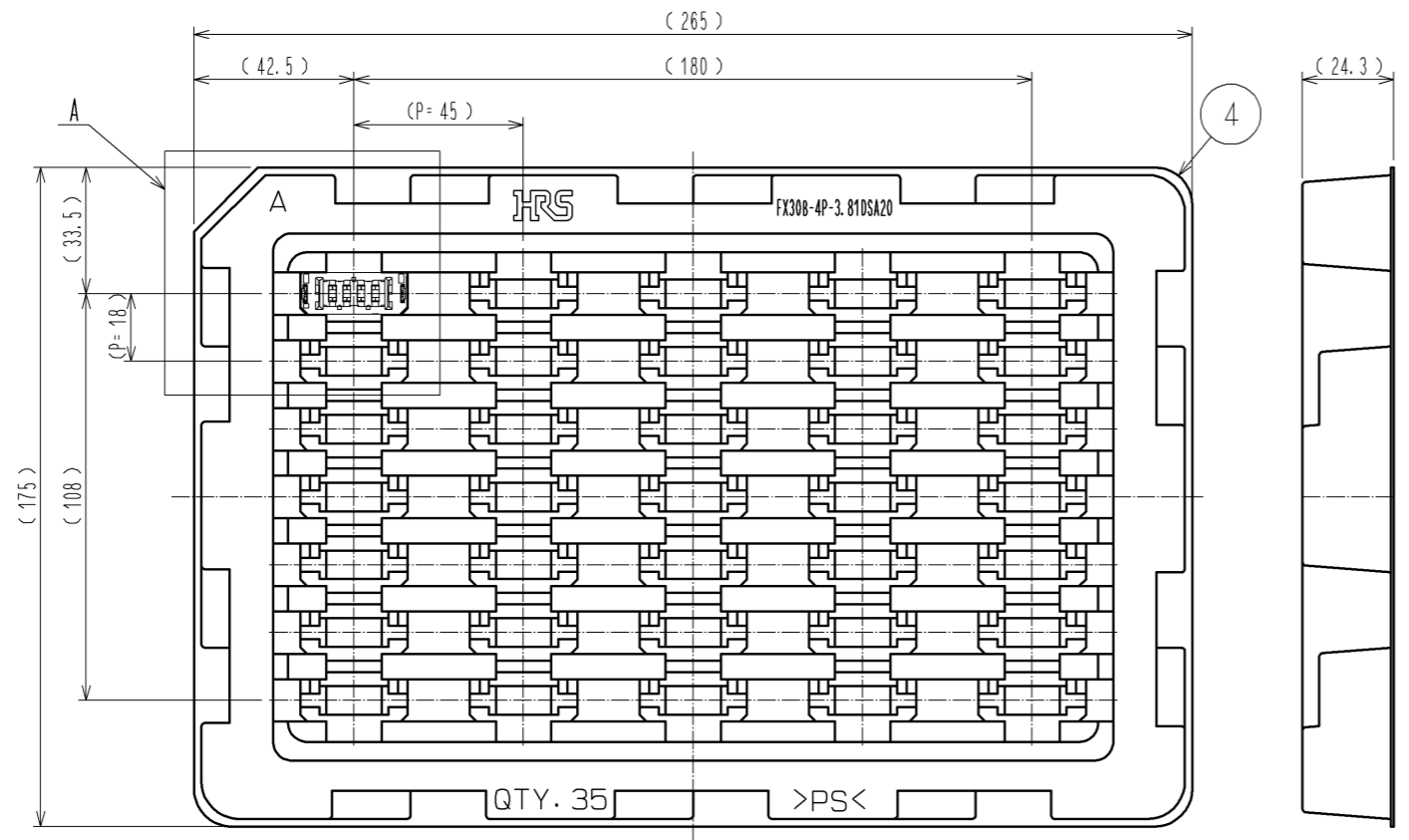
2	COPPER ALLOY	CONTACT AREA:GOLD-PLATING 0.1 μm	4	POLYSTYRENE	
		LEAD AREA:TIN-PLATING 1.0 μm			
		UNDER PLATING:NICKEL 1.0 μm			
1	POLYAMIDE	BLACK UL94V-0	3	PHOSPHOR BRONZE	TIN-PLATING 3.0 μm
NO.	MATERIAL	FINISH . REMARKS	NO.	MATERIAL	FINISH . REMARKS
UNITS mm		SCALE 2 : 1	COUNT 2	DESCRIPTION OF REVISIONS DIS-F-006956	
			DESIGNED DK. AIMOTO	CHECKED KI. HIROKAWA	DATE 13.08.26
APPROVED : HS. OKAWA 13.03.13			DRAWING NO. EDC3-347257-00		
CHECED : KI. HIROKAWA 13.03.12			PART NO. FX30B-4P-3.81DSA20		
DESIGNED : DK. AIMOTO 13.03.11			CODE NO. CL570-3102-9-00		
DRAWN : DK. AIMOTO 13.03.11					

Aug.1.2016 Copyright 2016 HIROSE ELECTRIC CO., LTD. All Rights Reserved.

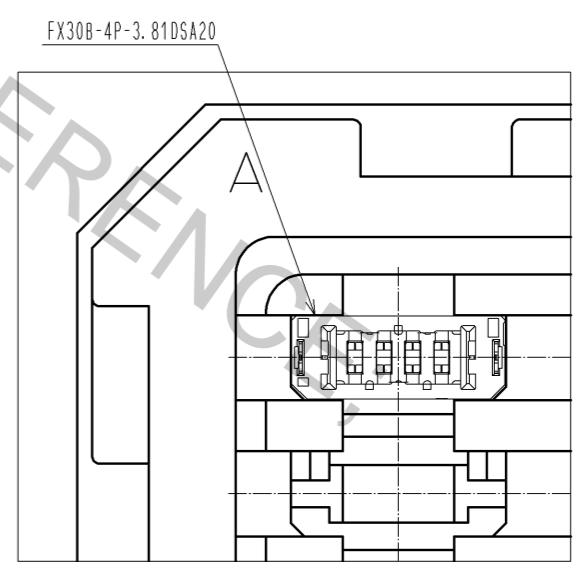
RECOMMENDED HOLE PATTERN DIMENSION OF PCB(5:1)
(CONNECTOR MOUNTING SIDE, PCB THICKNESS:t=1.6mm)



1 DRAWING FOR PACKAGING(1:2)



A(1:1)



HRS	DRAWING NO.	EDC3-347257-00	1/2
	PART NO.	FX30B-4P-3.81DSA20	
	CODE NO.	CL570-3102-9-00	