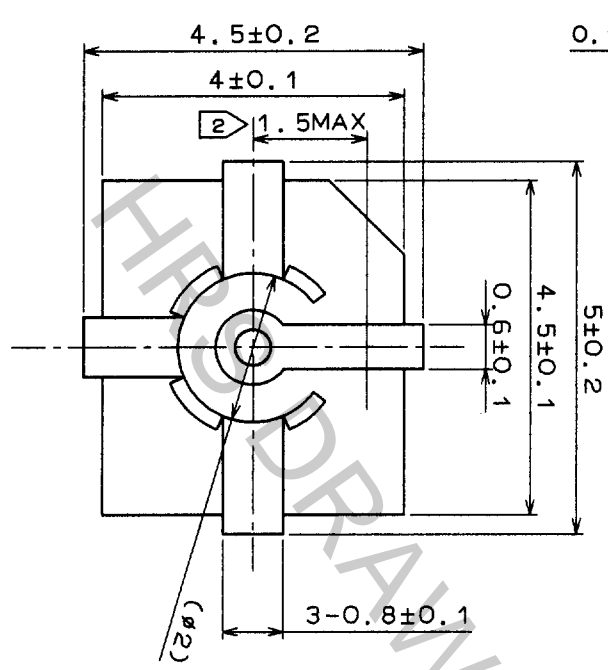
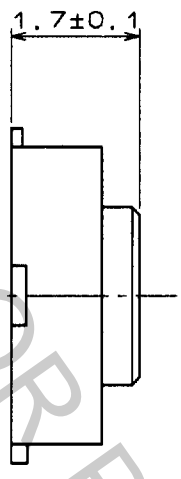
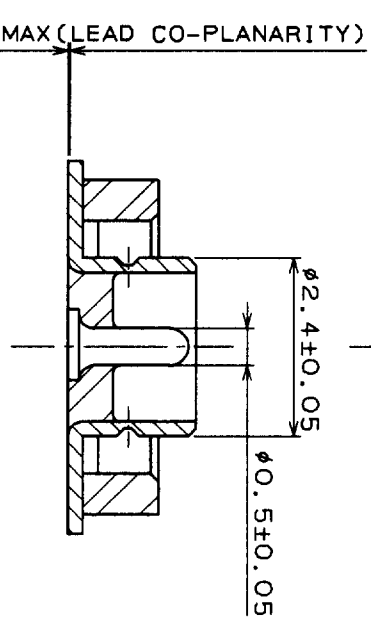
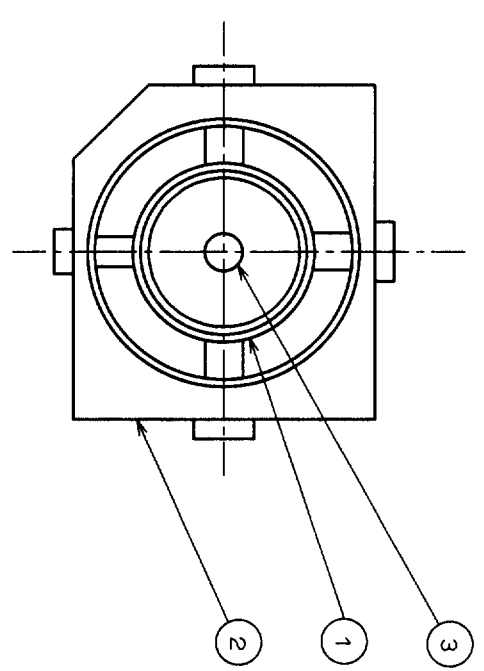
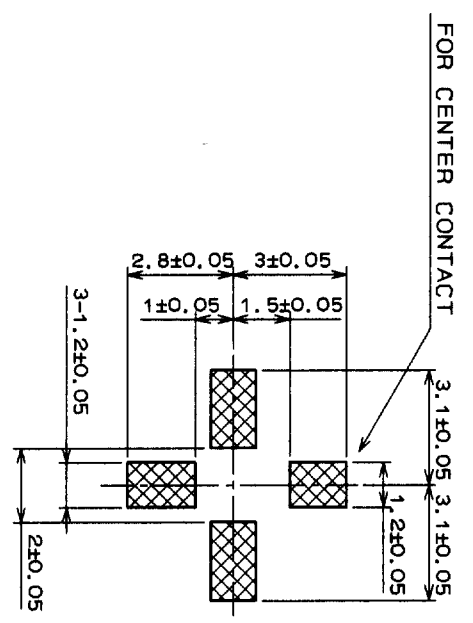


NO.	DESCRIPTION OF REVISIONS	BY	CHKD	DATE	NO.	DESCRIPTION OF REVISIONS	BY	CHKD	DATE
1									
2									
3									



RECOMMENDED PC BOARD
PAD PATTERN (5:1)



FOR CENTER CONTACT

NOTES 1 THE QUANTITY OF H.FL-R-SMT(01) IS 100 CONNECTORS PER PACK.

2 THIS DIMENSION SHOWS THE ALLOWABLE RANGE THAT THE RESIN IS PUT OVER THE CENTER CONTACT.

NO.	MATERIAL	FINISH, REMARKS	NO.	MATERIAL	FINISH, REMARKS
2	LCP	(BLACK) UL94V-0	3	BRASS	GOLD PLATING 0.2 μm MIN OVER NICKEL PLATED 1.27 μm MIN
1	PHOSPHOR BRONZE	SILVER PLATING 2 μm MIN			

CODE NO. (OLD)

DRAWN: J. Okuma, DESIGNED: N. Niinomi, CHECKED: J. Matsuda, APPROVED: K. Kobayashi

SCALE: 10:1 UNITS: mm

DRAWING NO.: EDC3-046538-01 PART NO.: H.FL-R-SMT(01)

CODE NO.: CL331-0521-6-01

DATE: 97.4.9

TO	RF	USA
----	----	-----