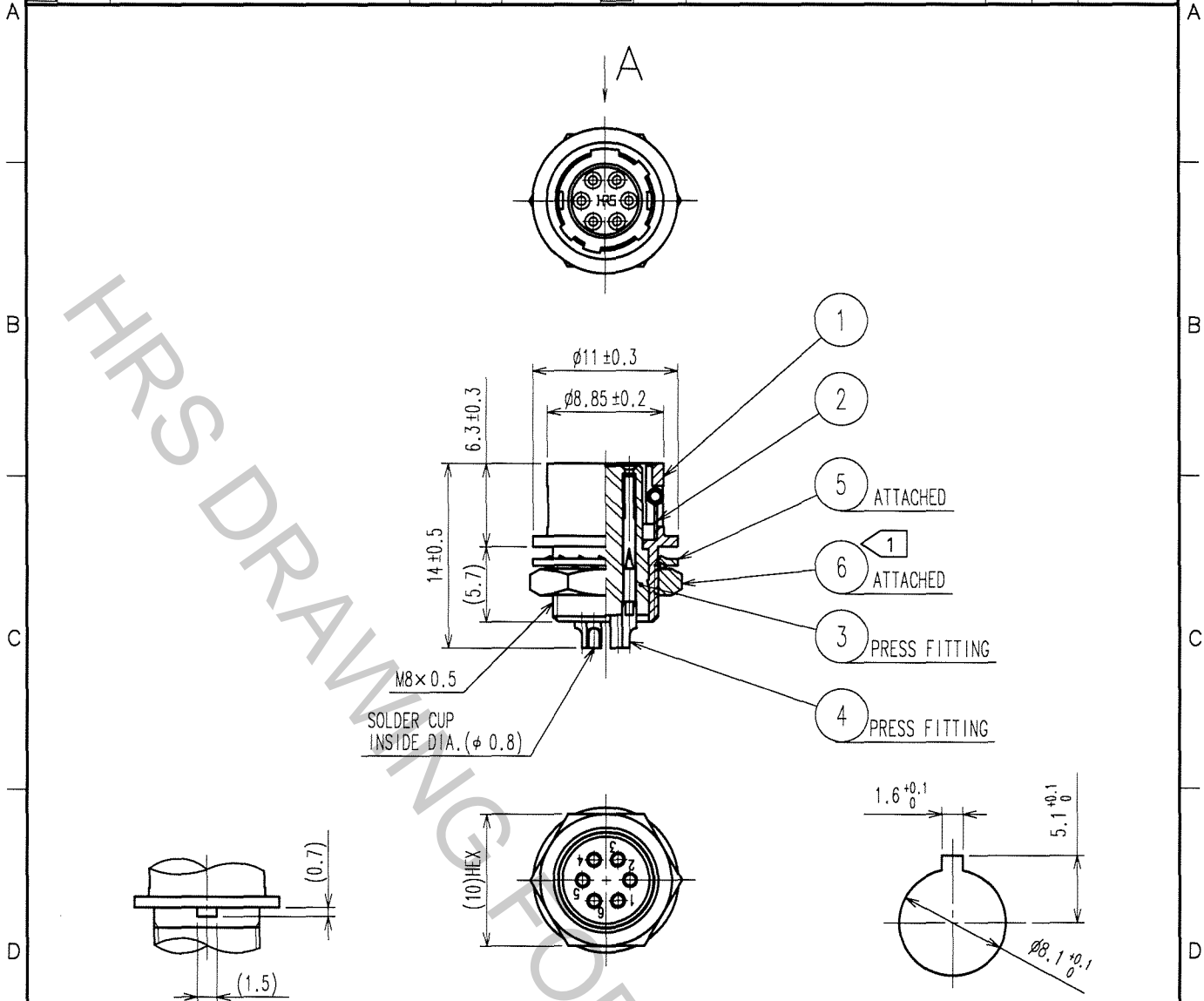


1		2			3			4		
COUNT	DESCRIPTION OF REVISIONS	BY	CHKD	DATE	COUNT	DESCRIPTION OF REVISIONS	BY	CHKD	DATE	
△					△					
△					△					
△					△					



A DETAIL OF MOUNTING GUIDE

PANEL CUTOUT
t = 0.7~2

NOTE ① THE RECOMMENDED CLAMP TORQUE OF REF. NO. ⑥ TO BE 1.5 N·m. LOCTITE 242, HENKEL JAPAN OR EQUIVALENT IS RECOMMENDED TO PREVENT REF. NO. ⑥ FROM LOOSENING.

NO.	MATERIAL	FINISH, REMARKS	NO.	MATERIAL	FINISH, REMARKS
3	POLYAMIDE	(BLACK) UL94V-0	6	BRASS	NICKEL PLATING
2	STAINLESS STEEL		5	PHOSPHOR BRONZE	NICKEL PLATING
1	ZINC ALLOY	MATTE FINISH NICKEL PLATED	4	PHOSPHOR BRONZE	SILVER PLATING 2μm min.

CODE NO. (OLD) CL	DRAWN J. Komatsu 05.11.17	DESIGNED D. Motomura 05.11.18	CHECKED E. Kurui 05.11.22	APPROVED M. Sato 05.11.24	RELEASED
----------------------	---------------------------------	-------------------------------------	---------------------------------	---------------------------------	----------

SCALE 2 : 1	DRAWING NO. EDC4-020540-73	PART NO. HR10A-7R-6S(73)
	UNITS mm	CODE NO. CL110-0307-9-73

TO
R