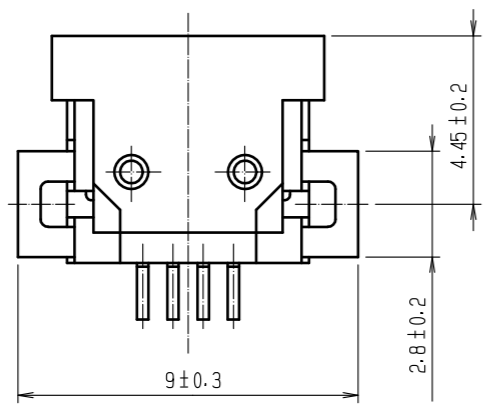
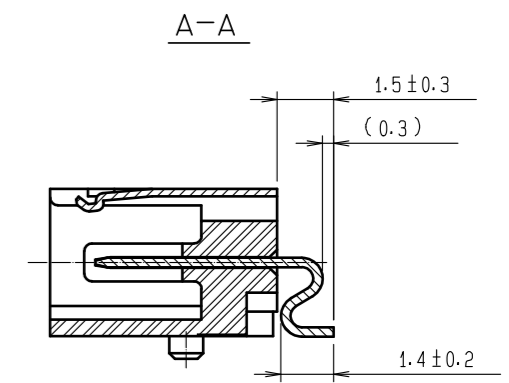
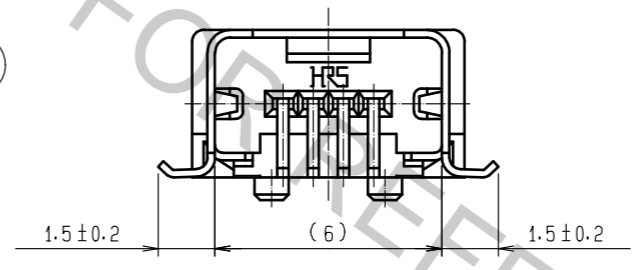
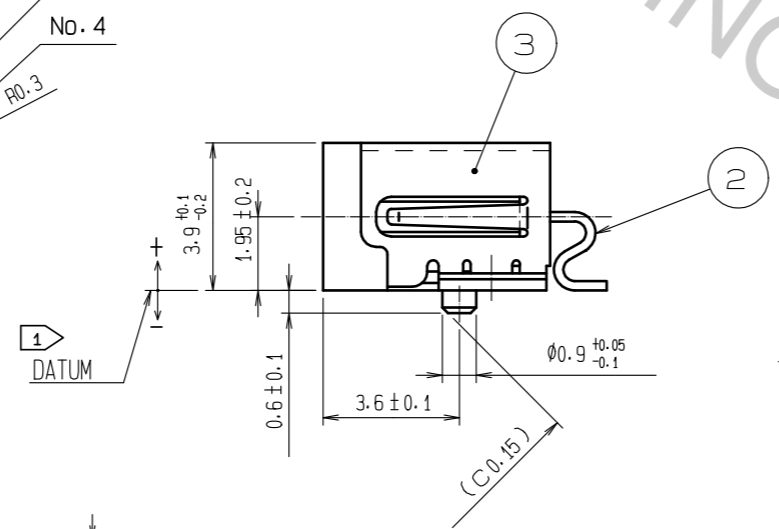
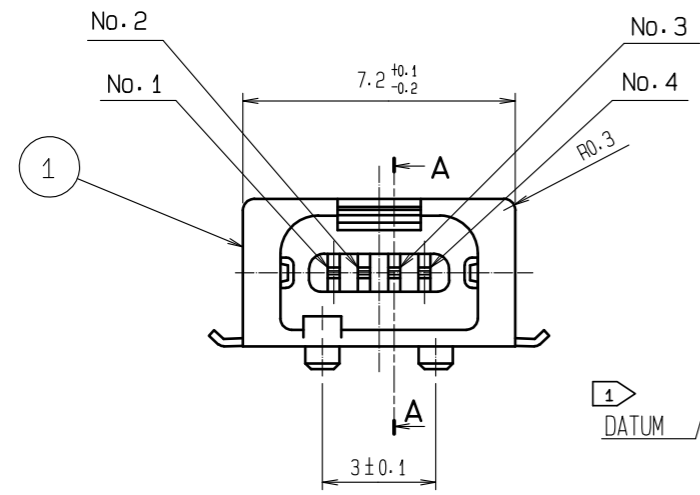
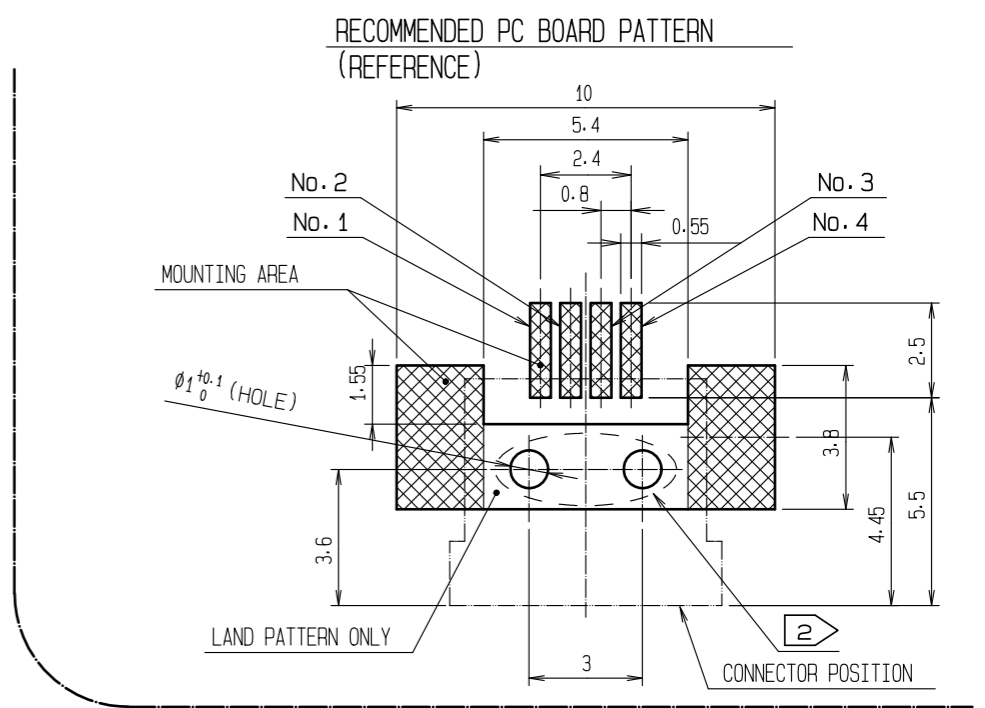
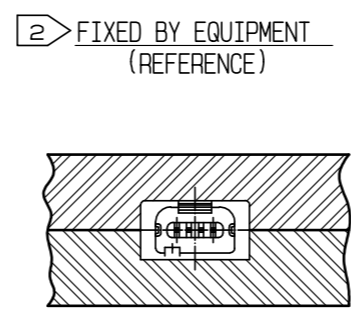
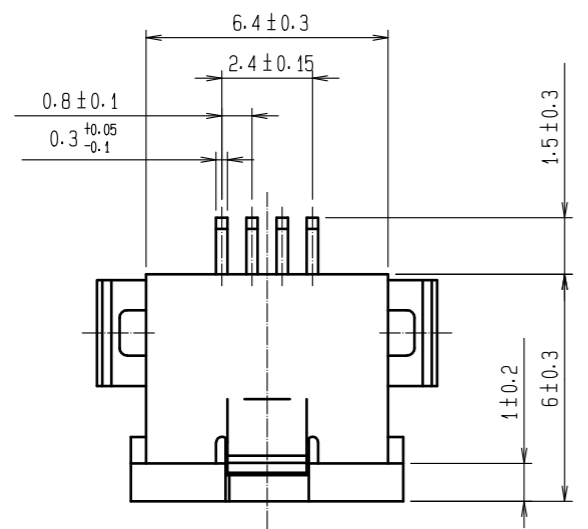


Aug.1.2016 Copyright 2016 HIROSE ELECTRIC CO., LTD. All Rights Reserved.

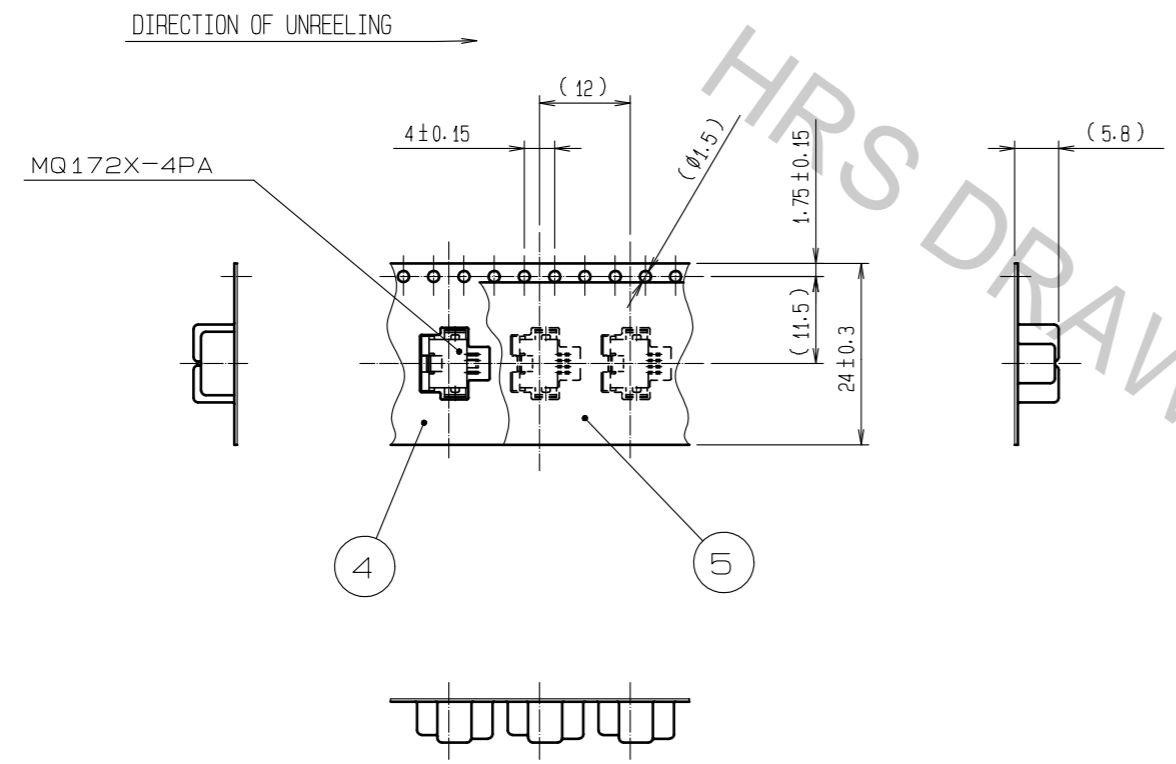


- NOTES
- ① COPLANARITY (INCLUDING METAL FITTING) SHALL BE 0.05 FROM DATUM.
  - ② FIXING TO PC BOARD OF THIS PRODUCT IS SOLDER TYPE. WE RECOMMEND TO USE ADHESIVE ON PC BOARD SURFACE. PLEASE DO NOT FIX THIS PRODUCT BY THE BODY OF EQUIPMENT ITSELF.
  - 3. DIRECTIONS FOR USE. PLEASE DO NOT USE FOR THE PURPOSE OF INTERRUPTING THE CURRENT.

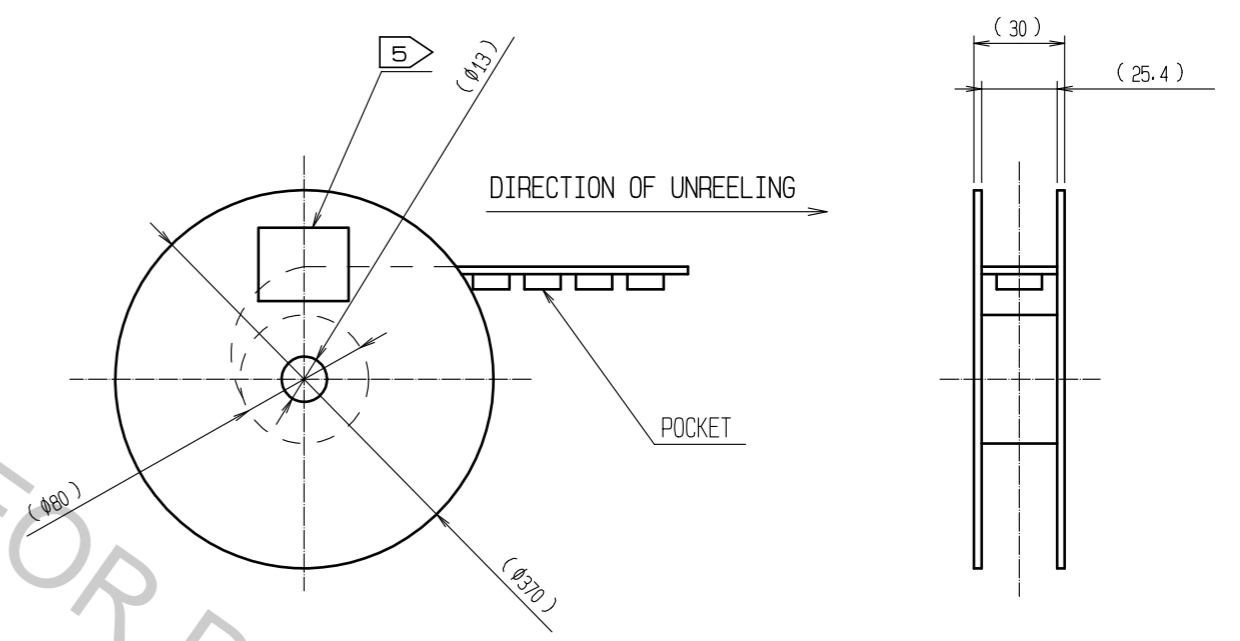
2	COPPER ALLOY	CONTACT AREA: PALLADIUM PLATED + GOLD PLATED PLATED MOUNTING AREA: GOLD FLASH PLATED	5	PS				
1	POLYAMIDE	BLACK UL94V-0	4	PS				
			3	STAINLESS STEEL	GOLD FLASH PLATED			
NO.	MATERIAL	FINISH . REMARKS	NO.	MATERIAL	FINISH . REMARKS			
UNITS	mm	SCALE	5 : 1	COUNT	DESCRIPTION OF REVISIONS	DESIGNED	CHECKED	DATE
<b>HIROSE ELECTRIC CO., LTD.</b>		APPROVED	: NM. NISHIMATSU	15.10.27	DRAWING NO.	EDC-120842-31-00		
		CHECKED	: KN. ICHIKAWA	15.10.27	PART NO.	MQ172X-4PA(31)		
		DESIGNED	: TS. ITO	15.10.27	CODE NO.	CL206-2000-6-31		
		DRAWN	: AK. AKIYAMA	15.10.27				

Aug.1.2016 Copyright 2016 HIROSE ELECTRIC CO., LTD. All Rights Reserved.

3 FIG-1 STYLE AND DIMENSION OF CONNECTOR ON POCKET.



4 FIG-2 STYLE AND DIMENSION OF REEL (SCALE:FREE)



- NOTES
- 4 STYLE OF CONNECTOR ON POCKET IS AS SHOWN ON FIG-1.
  - 5 1 REEL : 1000 CONNECTORS.

<b>HRS</b>	DRAWING NO.	EDC-120842-31-00	2/2
	PART NO.	MQ172X-4PA(31)	
	CODE NO.	CL206-2000-6-31	