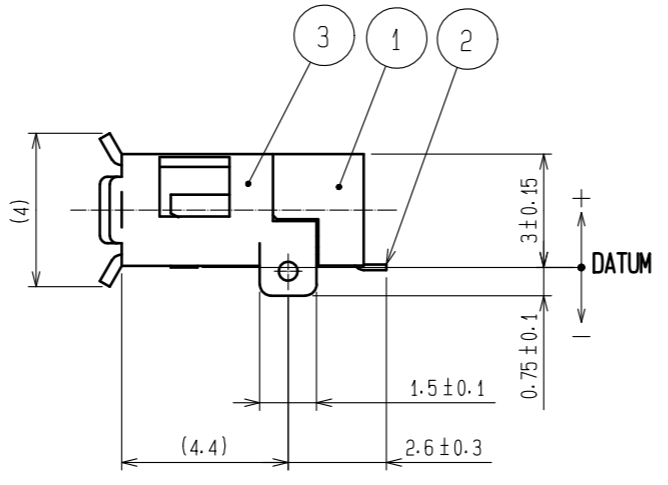
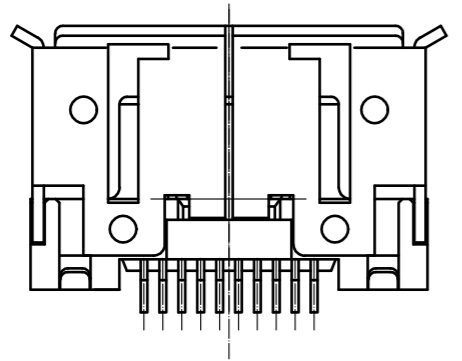
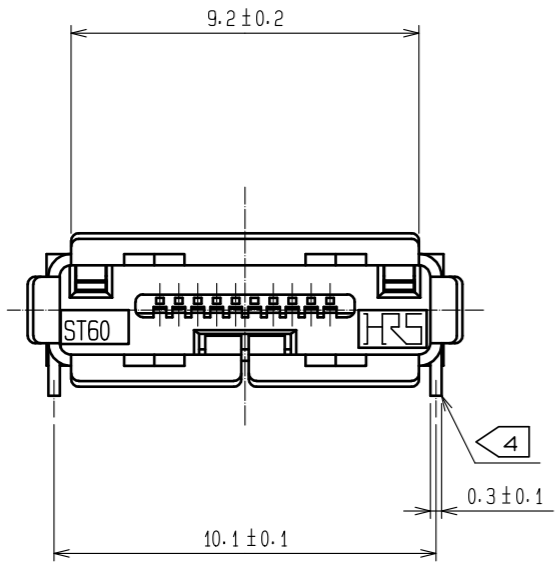
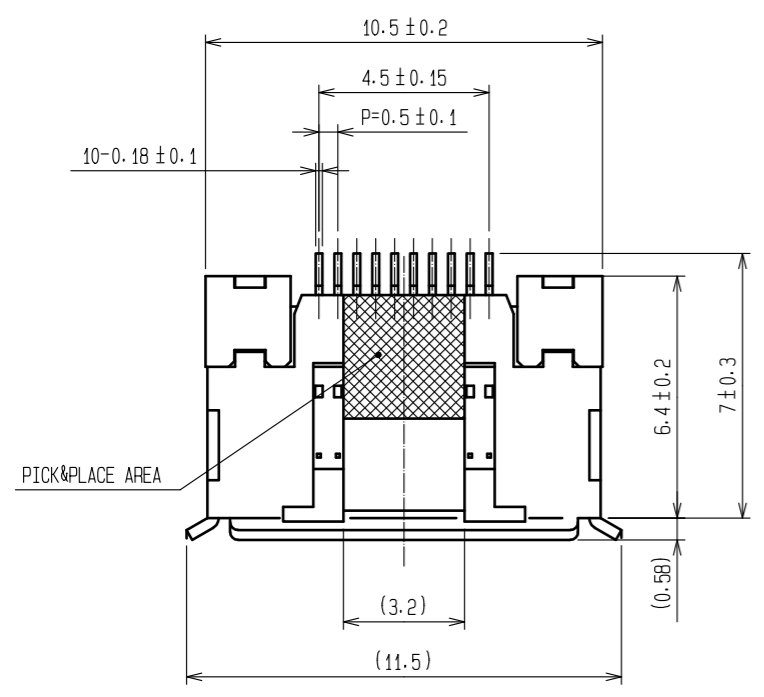
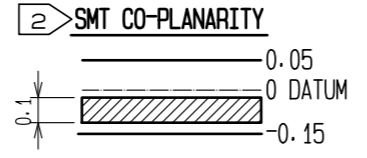


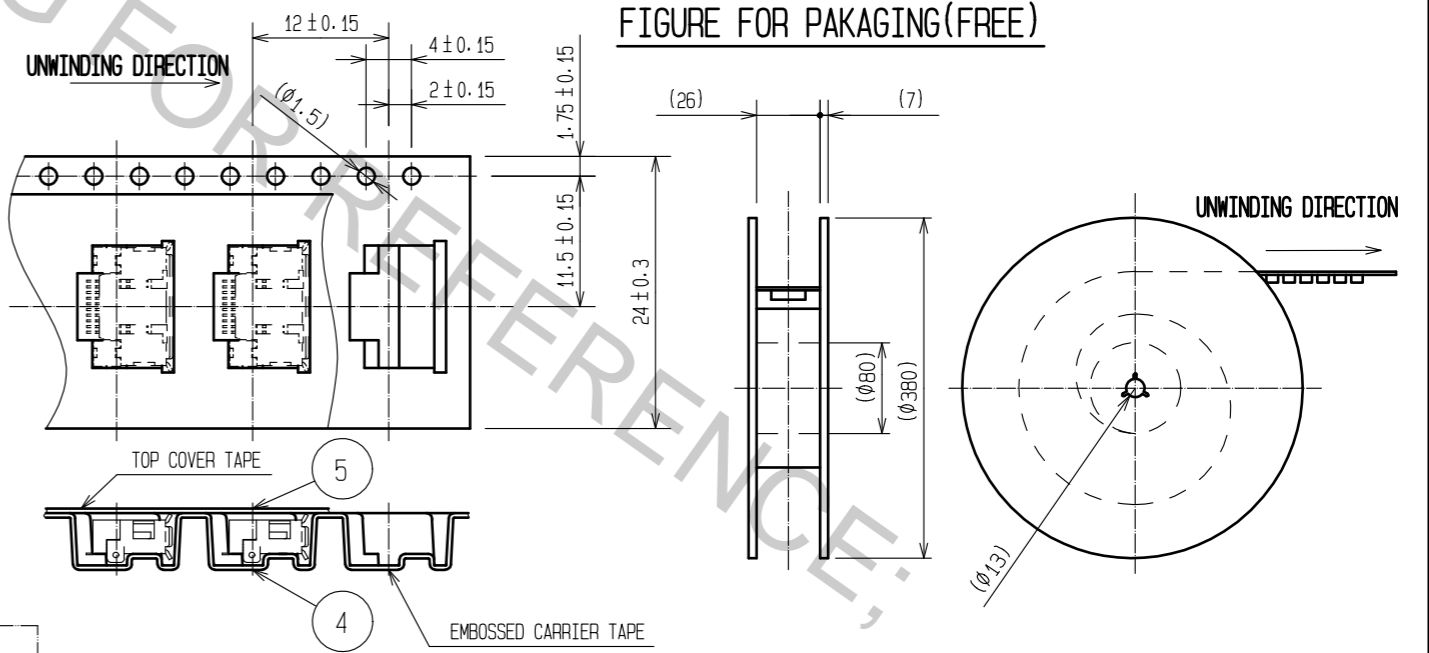
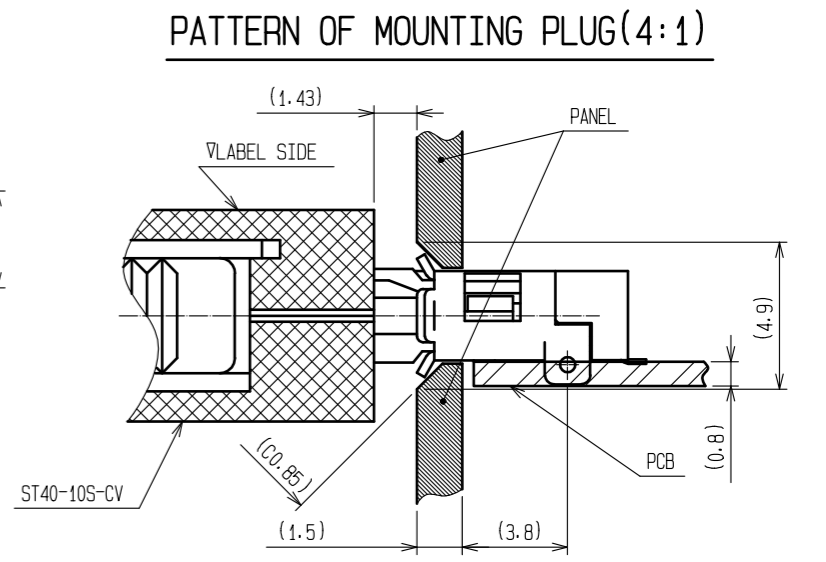
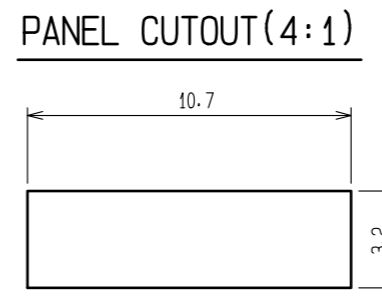
Aug.1.2016 Copyright 2016 HIROSE ELECTRIC CO., LTD. All Rights Reserved.



NOTE 1 1REEL:1500 PIECES.  
 2 CO-PLANARITY SPECIFICATION AS FIG SHOWN IN THE UNDER.  
 3 CONTACT AREA:GOLD PLATED 0.2#m MIN.  
 MOUNTING AREA:GOLD PLATED FLASH.  
 UNDER PLATING:NICKEL PLATED 2#m MIN.



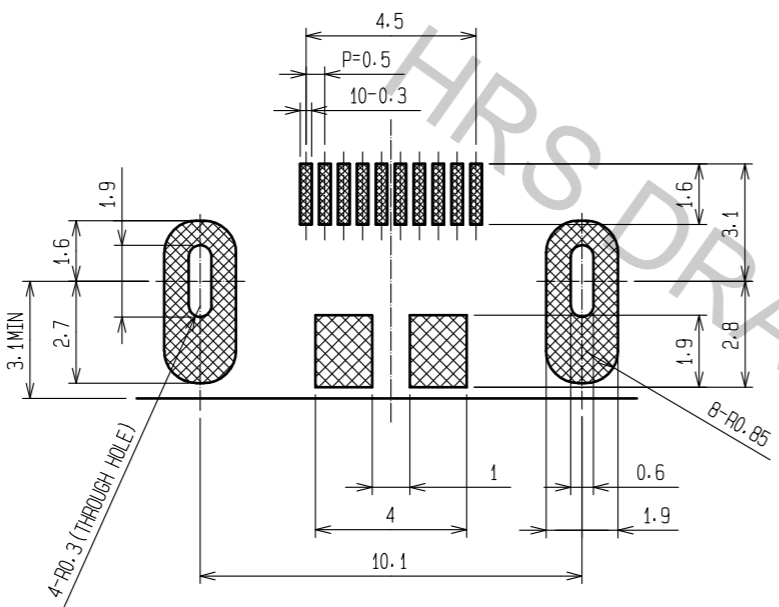
4 MANUAL SOLDERING OF THROUGH HOLE DIP IS NOT ACCEPTABLE.



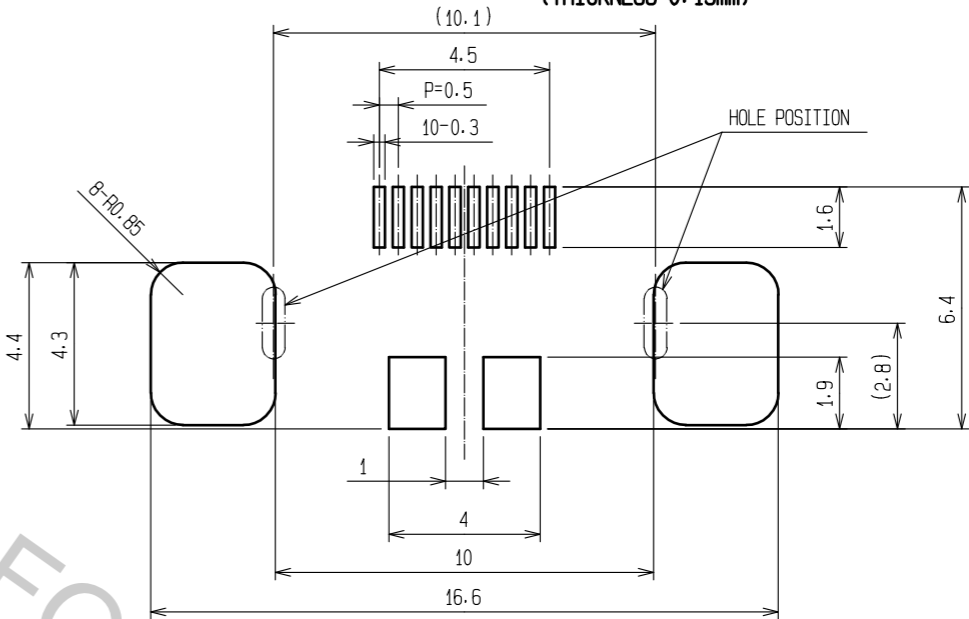
2	COPPER ALLOY	3	5	PE	TOP COVER TAPE			
1	LCP	BLACK UL94V-0	4	PS	EMBOSSED CARRIER TAPE			
			3	STAINLESS STEEL	TIN PLATED			
NO.	MATERIAL	FINISH . REMARKS	NO.	MATERIAL	FINISH . REMARKS			
UNITS	mm	SCALE	5 : 1	COUNT	DESCRIPTION OF REVISIONS	DESIGNED	CHECKED	DATE
HRS		HIROSE ELECTRIC CO., LTD.	APPROVED	: NM. NISHIMATSU	15. 10. 27	DRAWING NO. EDC-124149-30-00		
			CHECKED	: KN. ICHIKAWA	15. 10. 27	PART NO. ST60-10P(30)		
			DESIGNED	: TS. ITO	15. 10. 27	CODE NO. CL241-0022-5-30		
			DRAWN	: AK. AKIYAMA	15. 10. 27	1/2		

Aug.1.2016 Copyright 2016 HIROSE ELECTRIC CO., LTD. All Rights Reserved.

6 RECOMMENDED PC BOARD PATTERN



5 RECOMMENDED METAL MASK DESIGN (THICKNESS=0.15mm)



- 5 REFER TO THE RECOMMENDED METAL MASK DESIGN.
- 6 RECOMMENDED PC BOARD PATTERN
- : COPPER FOIL+SOLDER LEVELER

<b>HRS</b>	DRAWING NO.	EDC-124149-30-00	2/2
	PART NO.	ST60-10P(30)	
	CODE NO.	CL241-0022-5-30	