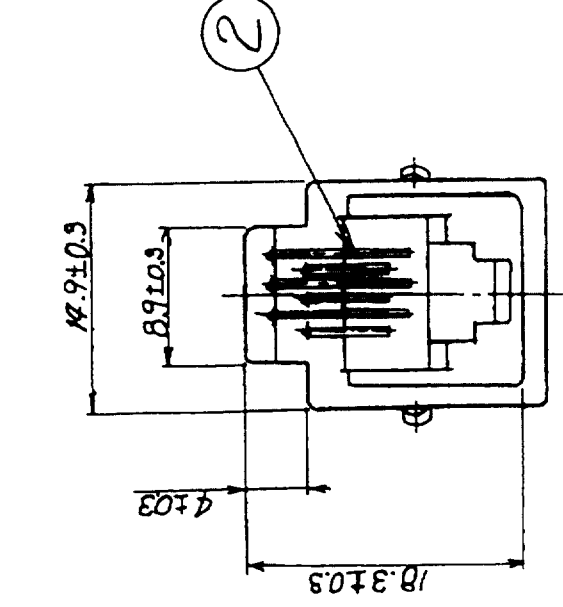
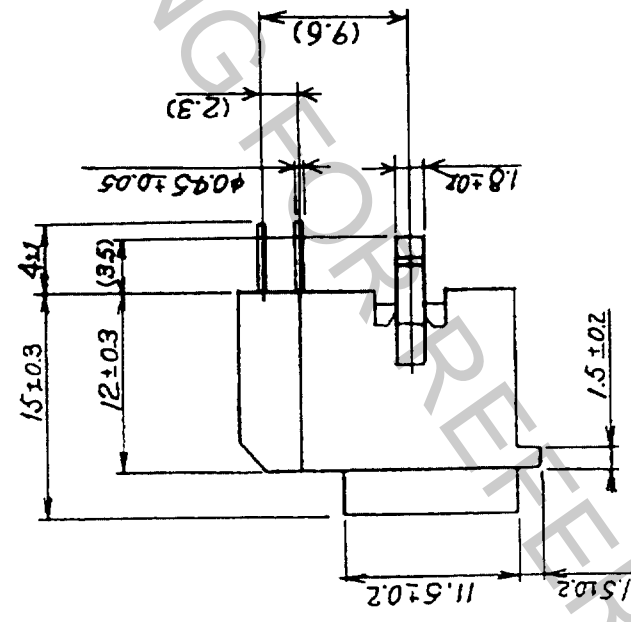
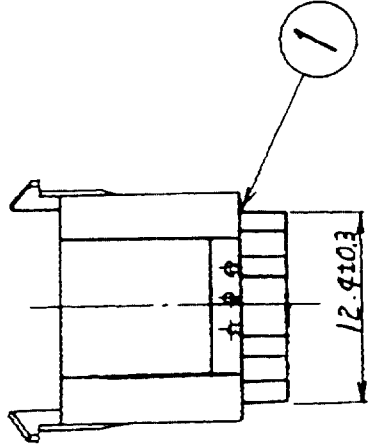
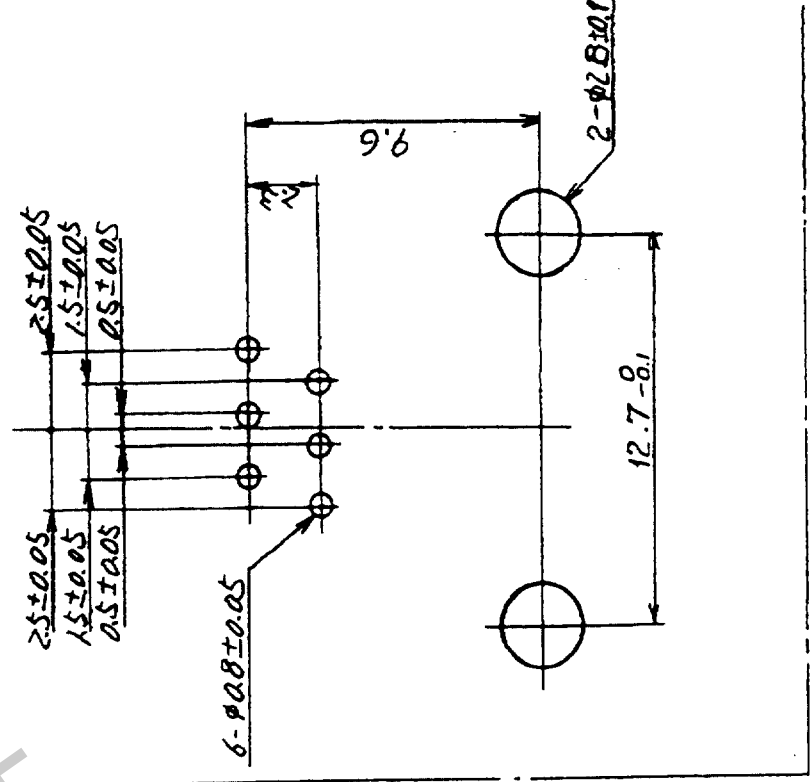


5	6	7	8
COUNT DESCRIPTION OF REVISIONS	BY CHKD	DATE	REVISIONS BY CHKD DATE



RECOMMENDED PC BOARD HOLE PATTERN (4:1)  
(MOUNTING SIDE)



TO Q

1	PBT	UL94V-0 (VANILLA WHITE)	2	PHOSPHOR BRONZE	SELECTIVE GOLD PLATING 1.27μm
NO.	MATERIAL	FINISH, REMARKS	NO.	MATERIAL	FINISH, REMARKS

CODE NO. (OLD)	DRAWN	DESIGNED	CHECKED	APPROVED	RELEASED

DRAWING NO.	PART NO.
EDC3-022457-01	TM3RA-66 (50)
SCALE 2:1	
UNITS mm	

HIROSE ELECTRIC CO., LTD.	CL222-0770-1-50