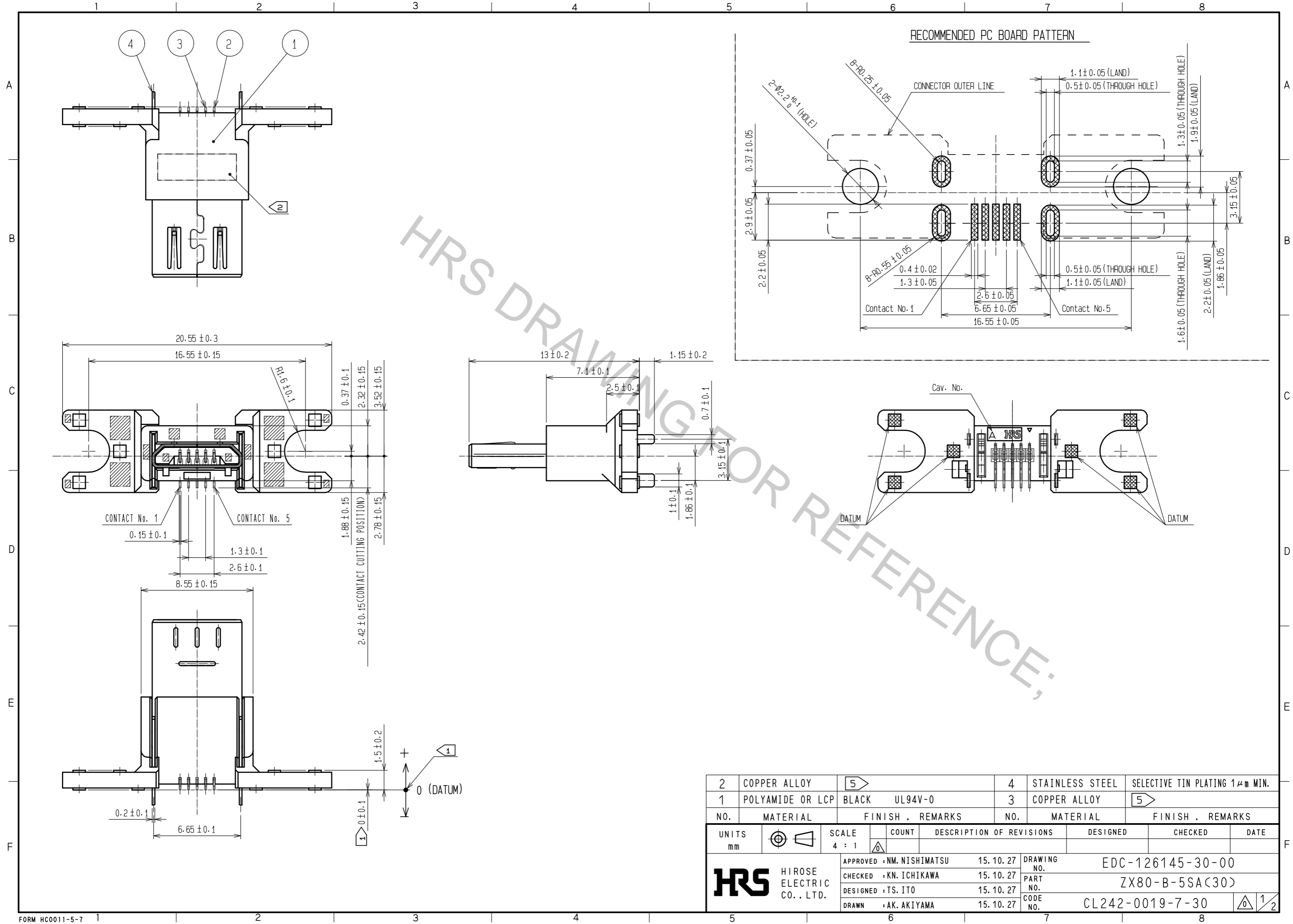


Aug.1.2016 Copyright 2016 HIROSE ELECTRIC CO., LTD. All Rights Reserved.

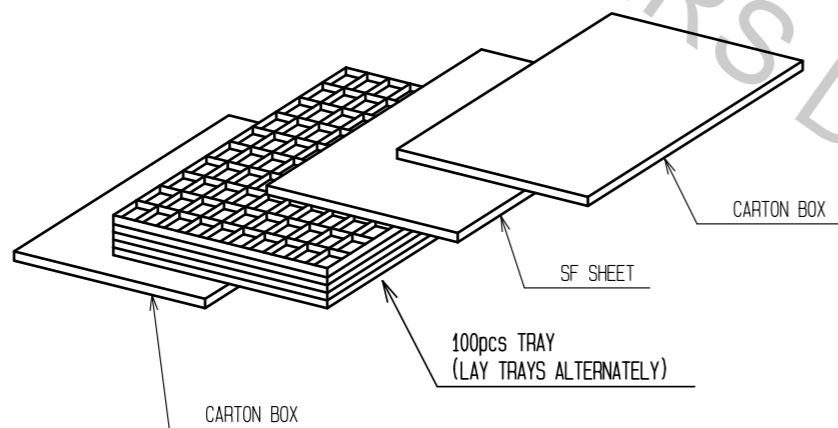


| 2 | COPPER ALLOY | 5 | 4 | STAINLESS STEEL | SELECTIVE TIN PLATING 1μm MIN. |
|---------------------------|------------------|---------------------------|----------|-----------------|--------------------------------|
| 1 | POLYAMIDE OR LCP | BLACK UL94V-0 | 3 | COPPER ALLOY | 5 |
| NO. | MATERIAL | FINISH . REMARKS | NO. | MATERIAL | FINISH . REMARKS |
| UNITS | mm | SCALE | 4 : 1 | COUNT | Δ |
| | | APPROVED : NM. NISHIMATSU | 15.10.27 | DESIGNED | EDC-126145-30-00 |
| HIROSE ELECTRIC CO., LTD. | | CHECKED : KN. ICHIKAWA | 15.10.27 | CHECKED | ZX80-B-5SA(30) |
| | | DESIGNED : TS. ITO | 15.10.27 | DATE | |
| | | DRAWN : AK. AKIYAMA | 15.10.27 | DRAWING NO. | |
| | | | | PART NO. | |
| | | | | CODE NO. | CL242-0019-7-30 |
| | | | | | 1/2 |

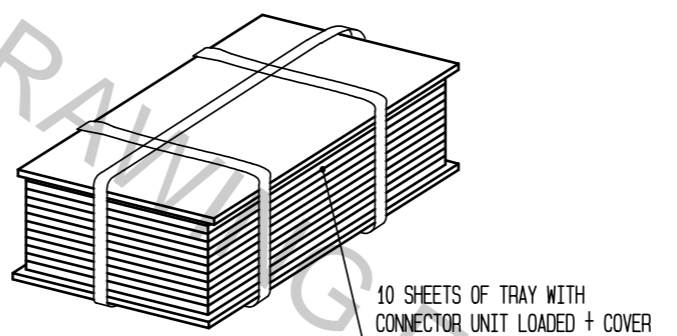
Aug.1.2016 Copyright 2016 HIROSE ELECTRIC CO., LTD. All Rights Reserved.

3 FIG-2 DRAWING FOR PACKING(AT 2000 pcs PACKING.)
THIS IS ONE EXAMPLE OF PACKING METHOD, AND IT MAY CHANGE WITHOUT ANY NOTICE, DEPENDING ON VOLUME.

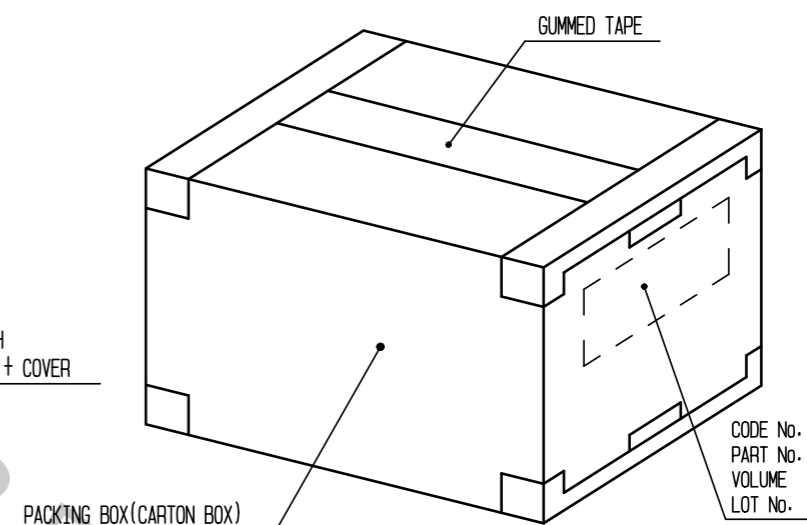
1. STORE CONNECTORS IN A TRAY.



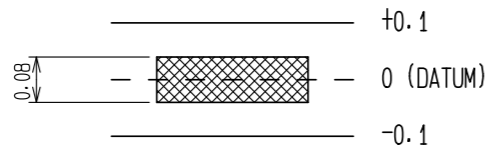
2. BAND TRAYS AS SHOWN BELOW.



3. STORE 2 UNITS OF BANDED TRAY INTO A CARTON BOX(K-1)
(STORE A BOUNDARY PLATE ON TOP OF THE SURFACE, THEN CLOSE THE BOX BY STICKING GUMMED TAPE IN FOUR PARTS)



NOTES. 1 DIMENSIONS OF SMT RANGE AND CO-PLANARITY ARE AS SHOWN BEROW.



- 2 LOT No. SHALL BE INDICATED AT THE POSITION AS SHOWN.
- 3 THIS PRODUCT IS TRAY PACKING, AND 100 CONNECTORS FOR EACH TRAY. MINIMUM ORDER QUANTITY WILL BE 100 pcs PER UNIT.
- 4 THE SHADED AREAS SHOW LOCATIONS OF EJECTOR PINS.
- 5 PLATING
CONTACT AREA : GOLD 0.75µm MIN.
READ AREA : GOLD 0.03µm MIN.
UNDER PLATING: NICKEL 2µm MIN.

| | | |
|------------|-------------|------------------|
| HRS | DRAWING NO. | EDC-126145-30-00 |
| | PART NO. | ZX80-B-5SA(30) |
| | CODE NO. | CL242-0019-7-30 |

2/2